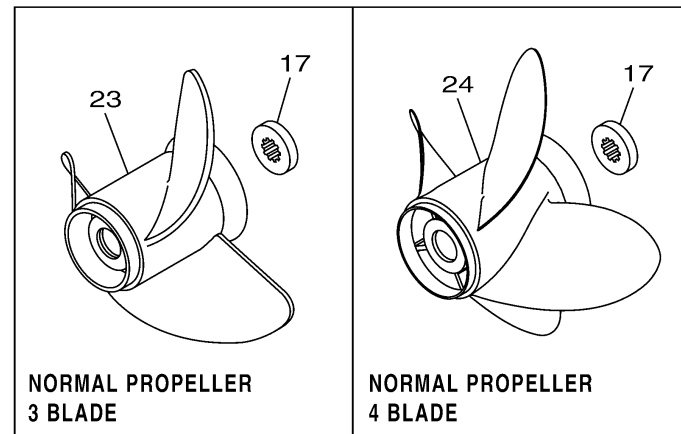
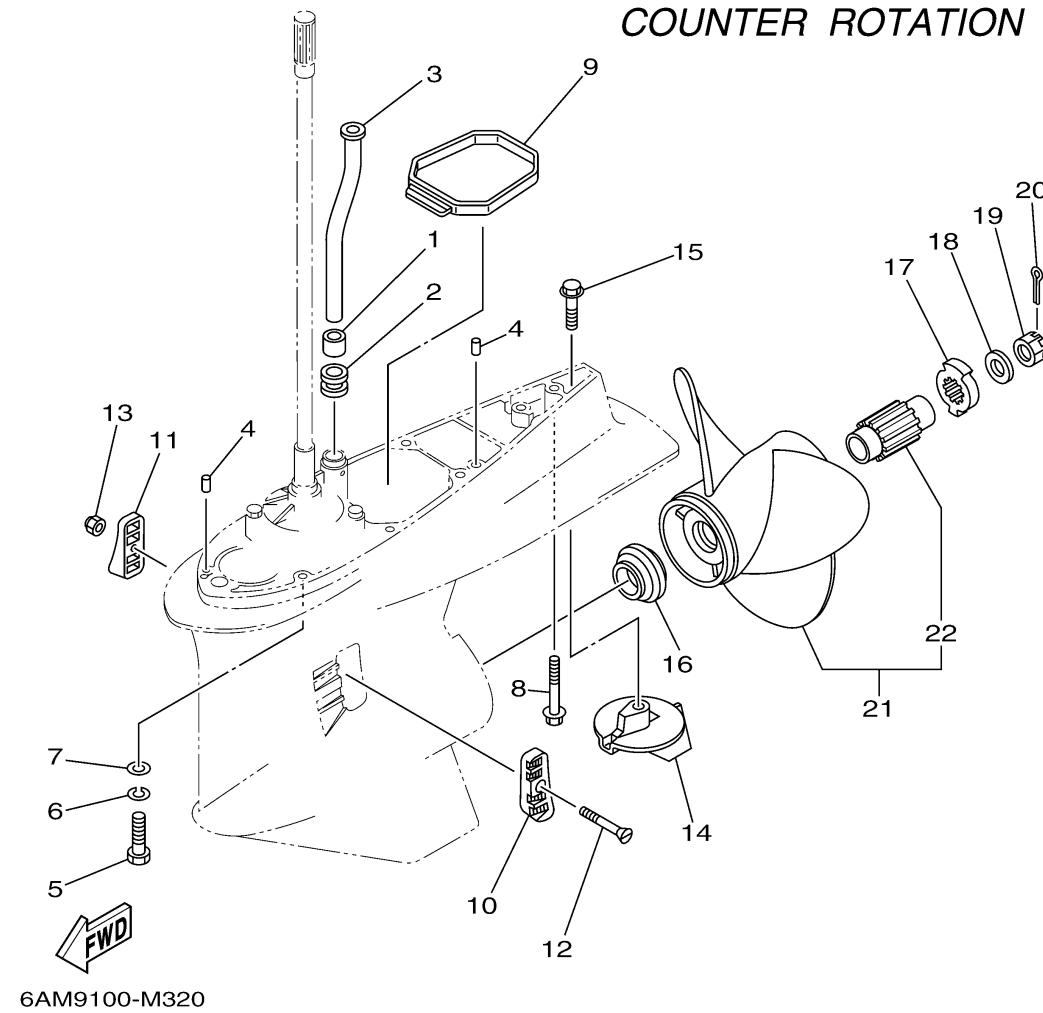


LOWER CASING DRIVE 4



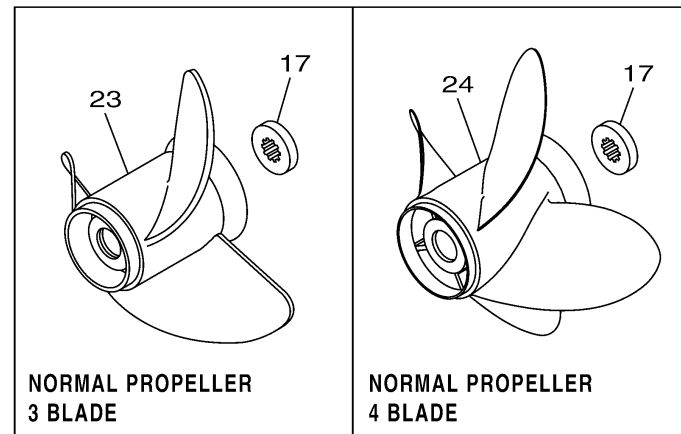
COUNTER ROTATION



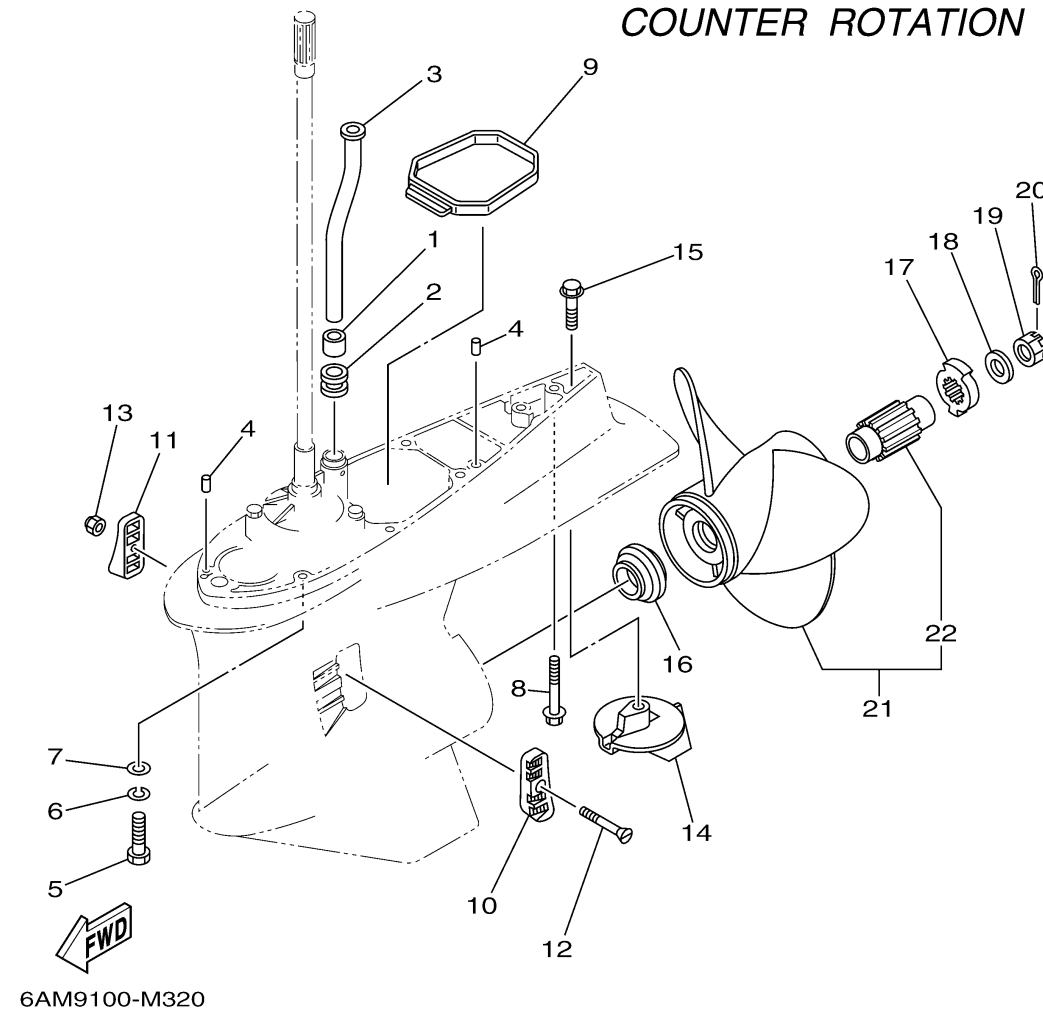
Ref No.	Part Number	Description	Qty	Remarks
1	6E5-44365-00-00	.DAMPER, WATER SEAL 1	1	
2	6E5-44366-00-00	.DAMPER, WATER SEAL 2	1	
3	6S1-44361-02-00	TUBE, WATER 1	1	X(25.3")
4	93608-12M05-00	PIN, DOWEL	2	
5	97095-10045-00	BOLT	7	X(25.3")
6	92995-10100-00	WASHER	7	X(25.3")
7	92995-10600-00	WASHER	7	X(25.3")
8	90119-10MA2-00	BOLT, WITH WASHER	1	X(25.3")
9	69J-45375-00-00	DAMPER, SEAL	1	
10	61A-45214-11-00	COVER, WATER INLET 1	1	
11	61A-45215-11-00	COVER, WATER INLET 2	1	
12	90152-05003-00	SCREW, COUNTERSUNK	1	
13	90185-05002-00	NUT, NYLON	1	
14	61A-45371-00-00	TAB-TRIM	1	
15	90105-10M00-00	BOLT, FLANGE	1	
16	69J-45987-00-00	SPACER 1	1	
17	688-45997-01-00	SPACER 2	1	AP NORMAL PROP.
17	6CE-45997-00-00	SPACER 2	1	FOR SDS PROP.
18	92990-18200-00	WASHER	1	
19	90171-18M04-00	NUT, CASTLE	1	

CONTINUED ON NEXT FRAME >

LOWER CASING DRIVE 4



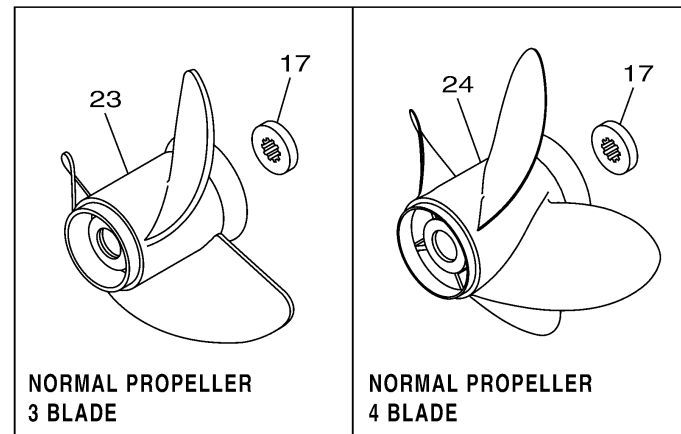
COUNTER ROTATION



Ref No.	Part Number	Description	Qty	Remarks
20	91490-40030-00	PIN, COTTER	1	
21	6CF-45978-00-00	PROPELLER (3X15-1/2"X17"-TL)	1	UR SDS PROP.
21	6CF-45934-00-00	PROPELLER (3X15-1/4"X18"-TL)	1	UR SDS PROP.
21	6CF-45932-00-00	PROPELLER (3X15"X20"-TL)	1	UR SDS PROP.
21	6CF-45930-00-00	PROPELLER (3X15-3/4"X13"-TL)	1	UR SDS PROP.
21	6CF-45970-00-00	PROPELLER (3X15-1/4"X19"-TL)	1	UR SDS PROP.
21	6CF-45972-00-00	PROPELLER (3X15"X21"-TL)	1	UR SDS PROP.
21	6CF-45974-00-00	PROPELLER (3X14-3/4"X23"-TL)	1	UR SDS PROP.
21	6CF-45976-00-00	PROPELLER (3X15-3/4"X15"-TL)	1	UR SDS PROP.
22	6CE-45C81-00-00	. DAMPER RUBBER, PROPELLER	1	
23	6R1-45976-A0-00	PROPELLER (3X15-1/4"X15"-ML)	1	AP NORMAL 3 BLADE
23	6K1-45978-02-00	PROPELLER (3X13-3/4"X17"-ML1)	1	AP NORMAL 3 BLADE
23	61B-45974-00-00	PROPELLER (3X14-1/2"X19"-TL)	1	AP NORMAL 3 BLADE
23	61B-45972-00-00	PROPELLER (3X14-1/2"X21"-TL)	1	AP NORMAL 3 BLADE
23	61B-45978-00-00	PROPELLER (3X15"X17"-TL)	1	AP NORMAL 3 BLADE
23	6K1-45972-01-00	PROPELLER (3X13-3/4"X21"-ML)	1	AP NORMAL 3 BLADE
23	6K1-45974-02-00	PROPELLER (3X13-3/4"X19"-ML1)	1	AP NORMAL 3 BLADE
23	6R1-45978-A0-00	PROPELLER (3X15-1/4"X17"-ML)	1	AP NORMAL 3 BLADE
23	6R1-45972-A0-00	PROPELLER (3X14-7/8"X21"-ML)	1	AP NORMAL 3 BLADE
23	6K1-45970-01-00	PROPELLER (3X15-1/4"X15"-ML)	1	AP NORMAL 3 BLADE

CONTINUED ON NEXT FRAME >

LOWER CASING DRIVE 4



Ref No.	Part Number	Description	Qty	Remarks
23	6R1-45970-A1-00	PROPELLER (3X15-1/4"X19"-ML)	1	AP NORMAL 3 BLADE
23	6R1-45974-A0-00	PROPELLER (3X14-1/2"X23"-ML)	1	AP NORMAL 3 BLADE
24	6BS-45B70-00-00	PROPELLER (4X15"X21"-TL)	1	AP NORMAL 4 BLADE
24	6BS-45B74-00-00	PROPELLER (4X15"X23"-TL)	1	AP NORMAL 4 BLADE
24	6BS-45B72-00-00	PROPELLER (4X15"X22"-TL)	1	AP NORMAL 4 BLADE

