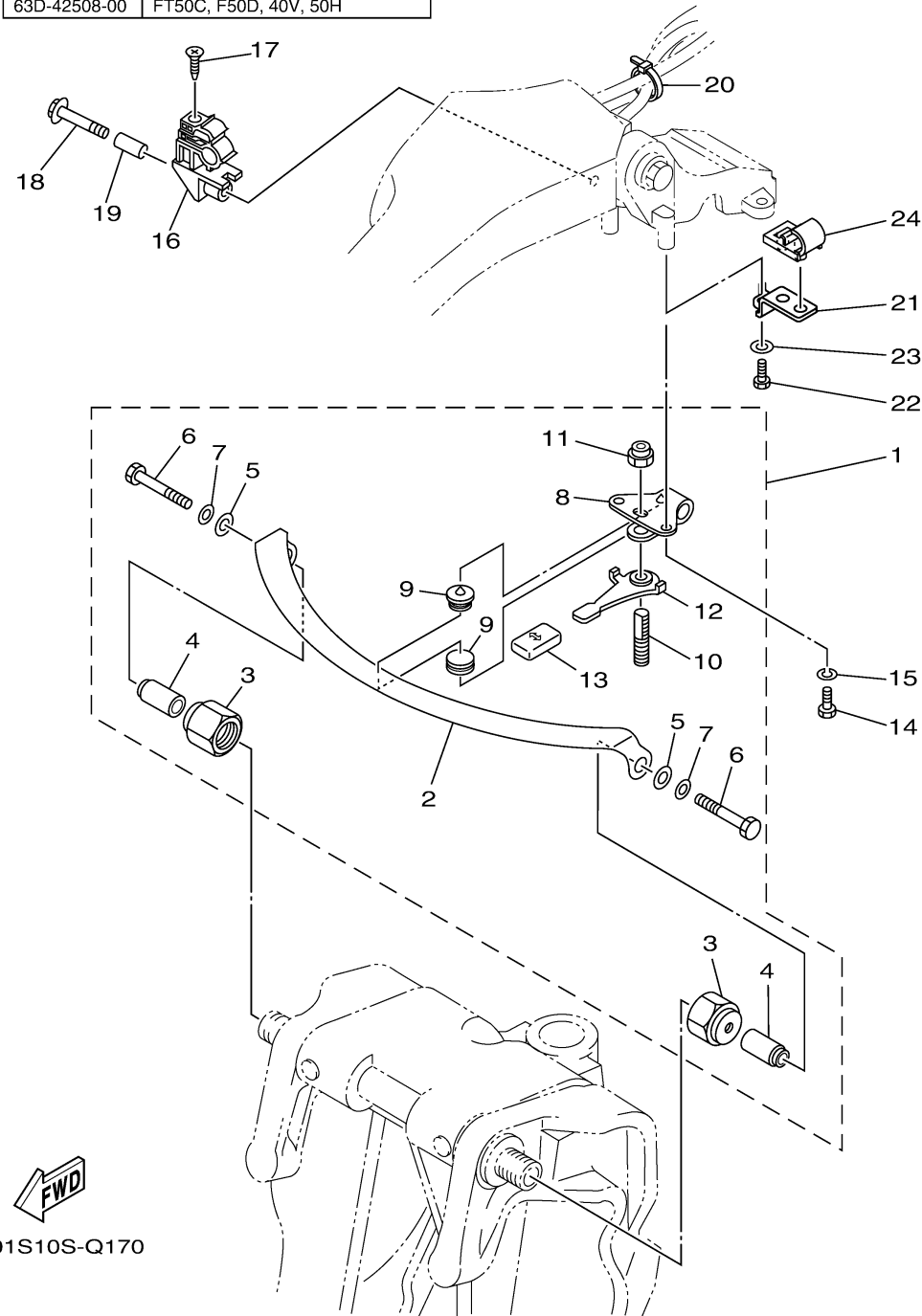


ALTERNATE STEERING FRICTION 3

STEERING FRICTION

Part No.	Applicable model
63D-42508-00	FT50C, F50D, 40V, 50H

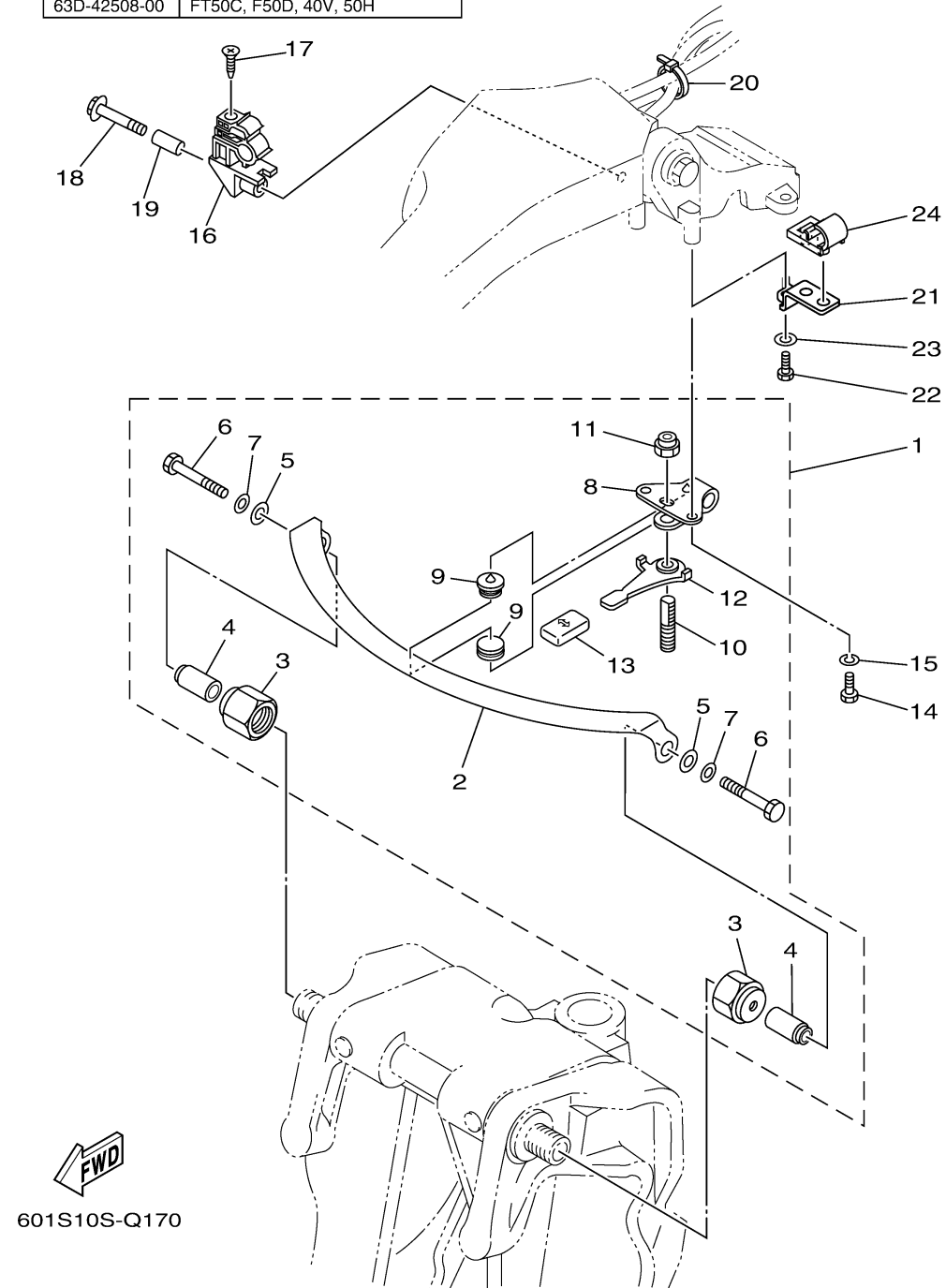


Ref No.	Part Number	Description	Qty	Remarks
1	63D-42508-00-00	STEERING FRICTION ASSY	1	UR 40, 50, F50, T50
2	63D-42527-00-00	..PLATE, FRICTION	1	
3	63D-42546-00-00	..NUT	2	
4	63D-42541-00-00	..PIPE 1	2	
5	90201-08M01-00	..WASHER, PLATE	2	
6	97095-08050-00	..BOLT	2	
7	92990-08600-00	...WASHER, PLATE	2	
8	63D-42526-00-00	..PLATE, FRICTION	1	
9	63D-42528-00-00	..PLATE, FRICTION	2	
10	63D-42562-00-00	..SHAFT, STEERING LOCK	1	
11	90185-10M01-00	..NUT, SELF-LOCKING	1	
12	63D-42561-00-00	..KNOB, STEERING LOCK	1	
13	682-43318-01-00	..COVER	1	
14	97095-06016-00	BOLT	2	
15	92995-06100-00	WASHER, SPRING	2	
16	63D-82361-00-00	CLAMP, CORD	1	
17	90161-06M00-00	SCREW, TAPPING	1	
18	97595-06535-00	BOLT, WITH WASHER	1	
19	90387-06M26-00	..COLLAR	1	
20	90465-13M36-00	CLAMP	1	

CONTINUED ON NEXT FRAME >

STEERING FRICTION

Part No.	Applicable model
63D-42508-00	FT50C, F50D, 40V, 50H



ALTERNATE STEERING FRICTION 3

Ref No.	Part Number	Description	Qty	Remarks
21	63D-24364-10-00	STAY	1	
22	97095-06016-00	BOLT	1	
23	92995-06600-00	WASHER	1	
24	63D-24367-00-00	CLAMP, FUEL PIPE 2	1	