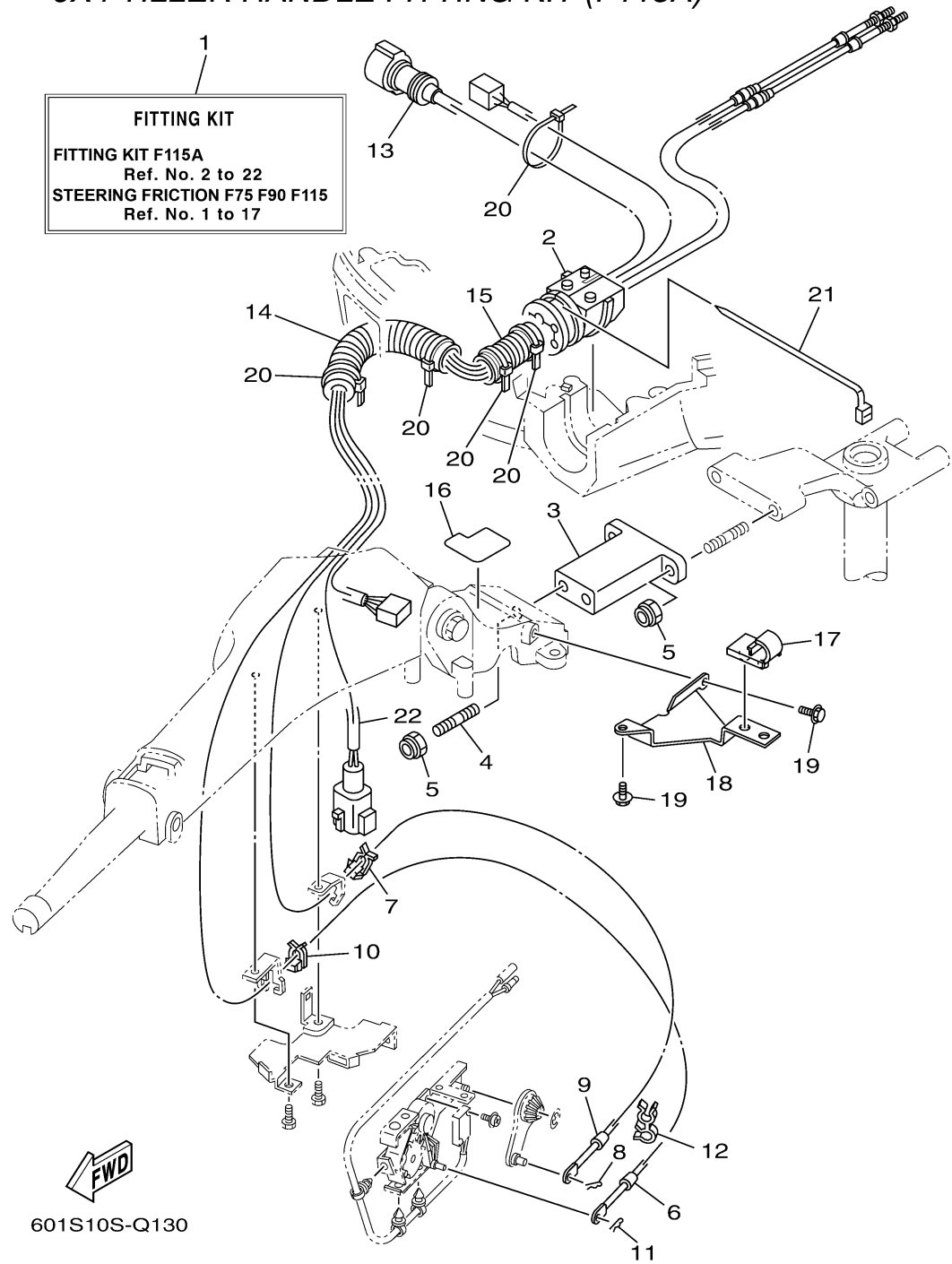


### 6X4 TILLER HANDLE FITTING KIT (F115A)

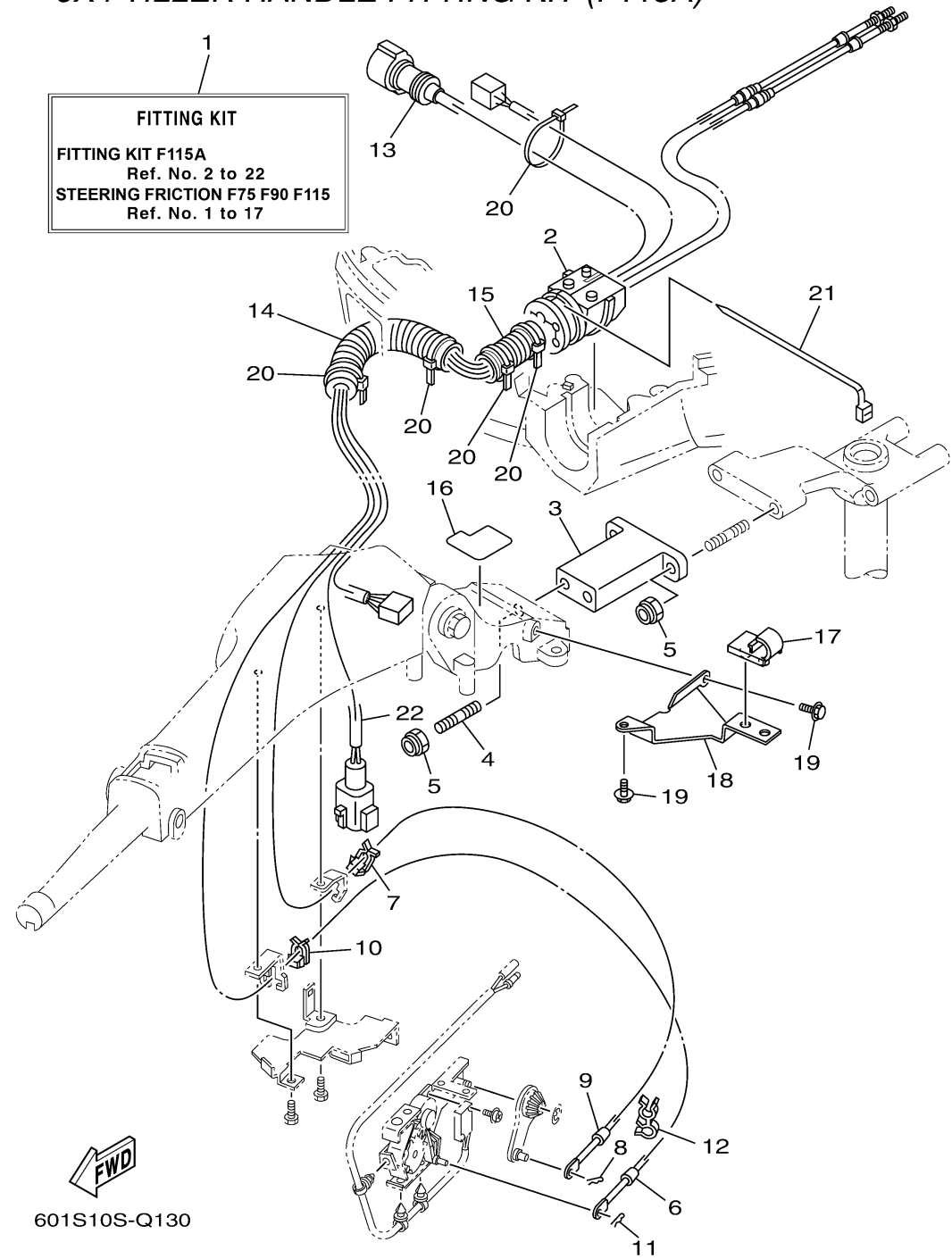


## FITTING KIT F115A

Ref No.	Part Number	Description	Qty	Remarks
1	6X4-42102-02-00	FITTING KIT	1	LM
2	68V-42725-10-00	GROMMET	1	
3	6X4-42121-11-8D	BRACKET	1	
4	90116-10062-00	BOLT, STUD	2	
5	90185-10027-00	NUT, SELF-LOCKING	4	
6	67G-48321-20-00	CABLE	1	
7	63D-48538-00-00	CLAMP, CABLE 1	1	
8	90468-10005-00	CLIP	1	
9	67G-26301-10-00	THROTTLE CABLE ASSY	1	
10	63D-48538-00-00	CLAMP, CABLE 1	1	
11	90468-10005-00	CLIP	1	
12	90464-09M42-00	CLAMP	1	
13	6X4-82586-20-00	EXT., WIRE HARNESS (L:1.25M)	1	
14	90447-22007-00	TUBE	1	
15	6G5-83557-00-00	TUBE	1	
16	6X4-42735-00-00	PROTECTOR	1	
17	63D-24367-00-00	CLAMP, FUEL PIPE 2	1	
18	6X4-24364-00-00	STAY	1	
19	97595-06516-00	BOLT, WITH WASHER	2	
20	90465-13M24-00	CLAMP	5	

CONTINUED ON NEXT FRAME >

6X4 TILLER HANDLE FITTING KIT (F115A)



# FITTING KIT F115A

Ref No.	Part Number	Description	Qty	Remarks
21	90465-13M30-00	CLAMP	1	
22	6X4-83653-00-00	WIRE, LEAD (L:1250MM)	1	