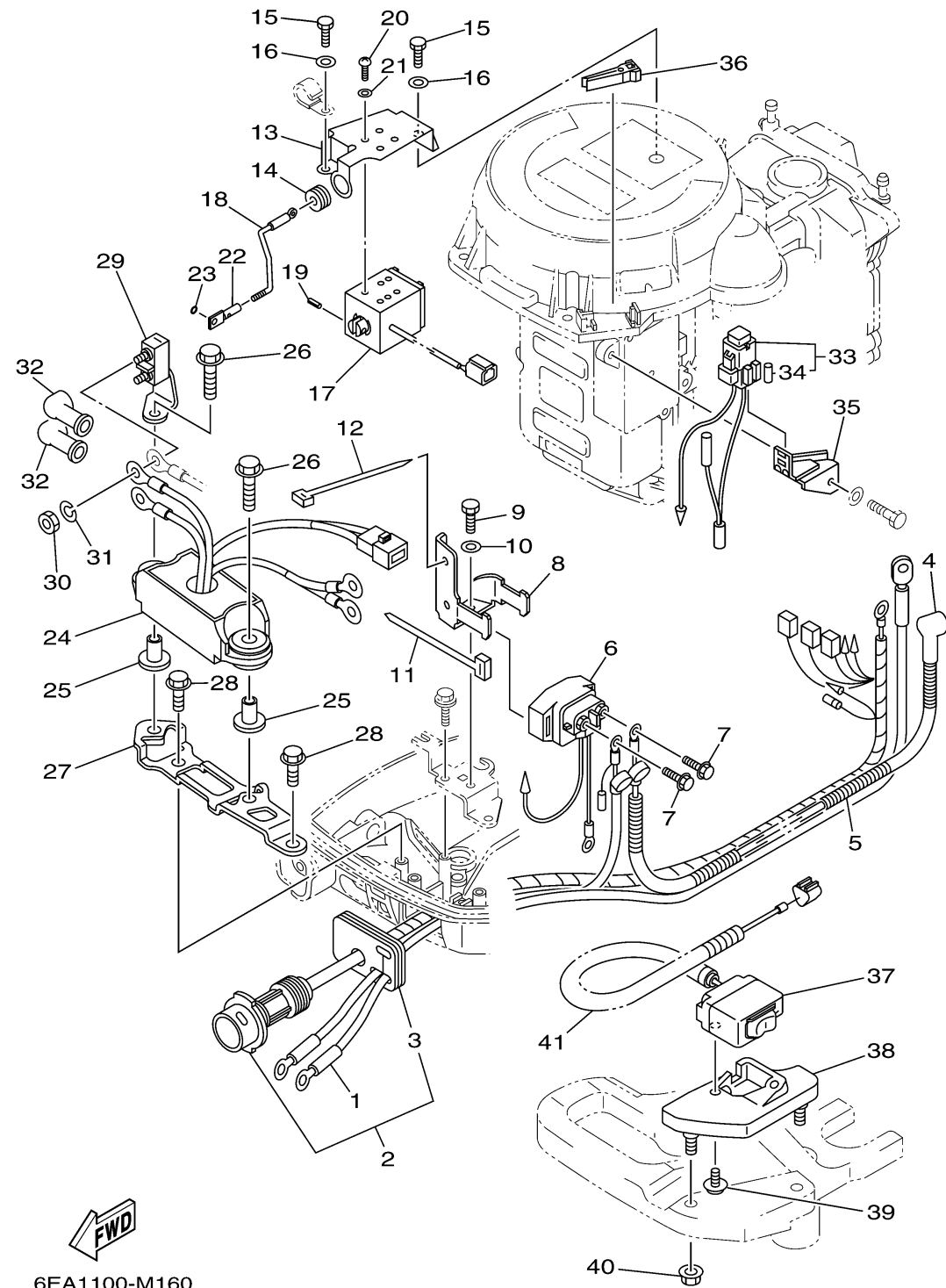


ELECTRICAL 3

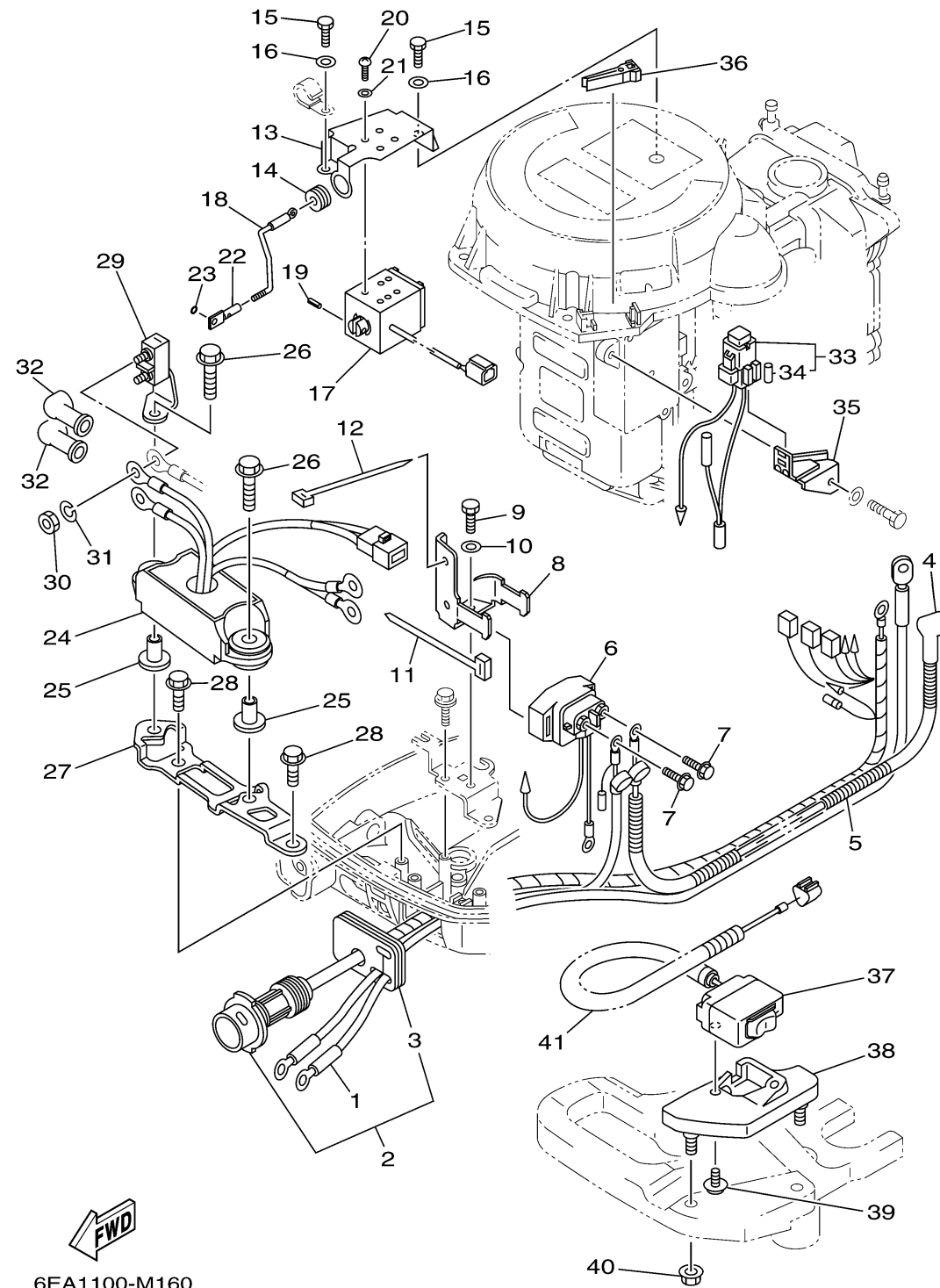


6EA1100-M160

Ref No.	Part Number	Description	Qty	Remarks
1	69G-82105-01-00	BATTERY CABLE (L: 3.0M)	0	
2	69G-82590-00-00	WIRE HARNESS ASSY	0	
3	69G-42724-60-00	. .GROMMET	0	
4	6G8-82117-00-00	WIRE, LEAD	0	
5	90446-10M86-00	HOSE (L140)	0	
6	68T-81940-00-00	STARTER RELAY ASSY	0	
7	97595-06610-00	BOLT, WITH WASHER	0	
8	68T-81945-01-00	PLATE, SWITCH FITTING	0	
9	97095-06012-00	BOLT	0	
10	92995-06600-00	WASHER	0	
11	90465-13M11-00	CLAMP	0	
12	90465-13M11-00	CLAMP	0	
13	68T-86112-00-00	STAY, SOLENOID	0	
14	90480-13018-00	GROMMET	0	
15	97095-06012-00	BOLT	0	
16	92995-06600-00	WASHER	0	
17	68T-86111-00-00	COIL, SOLENOID	0	
18	68T-41237-00-00	JOINT, LINK	0	
19	91690-30010-00	PIN, SPRING	0	
20	97880-04008-00	SCREW, PAN HEAD	0	

CONTINUED ON NEXT FRAME >

ELECTRICAL 3



FWD
6EA1100-M160

Ref No.	Part Number	Description	Qty	Remarks
21	92990-04600-00	WASHER, PLATE	0	
22	68T-86117-00-00	HOOK, WIRE PULL	0	
23	93210-03261-00	O-RING	0	
24	69G-81950-00-00	RELAY ASSY	0	
25	90387-06M03-00	COLLAR	0	
26	90119-06M56-00	BOLT, WITH WASHER	0	
27	69G-81948-01-00	BRACKET	0	
28	90109-06M86-00	BOLT	0	
29	69G-81925-00-00	TERMINAL	0	
30	90170-06M30-00	NUT	0	
31	90204-06M00-00	WASHER, SPRING	0	
32	6G5-82119-00-00	COVER, LEAD WIRE	0	
33	68T-82150-00-00	FUSE HOLDER ASSY	0	
34	66V-82151-00-00	..FUSE (10A-BL)	0	
35	68T-82171-01-00	STAY, FUSE BOX	0	
36	67F-2812A-00-00	..PULLER, FUSE	0	
37	69G-82563-10-00	TRIM & TILT SWITCH ASSY	0	
38	69G-83773-10-00	BRACKET, SWITCH	0	
39	97980-06220-00	SCREW, WITH WASHER	0	
40	90179-06M24-00	..NUT	0	

CONTINUED ON NEXT FRAME >

ELECTRICAL 3

Ref No.	Part Number	Description	Qty	Remarks
41	90447-07006-00	TUBE	0	

