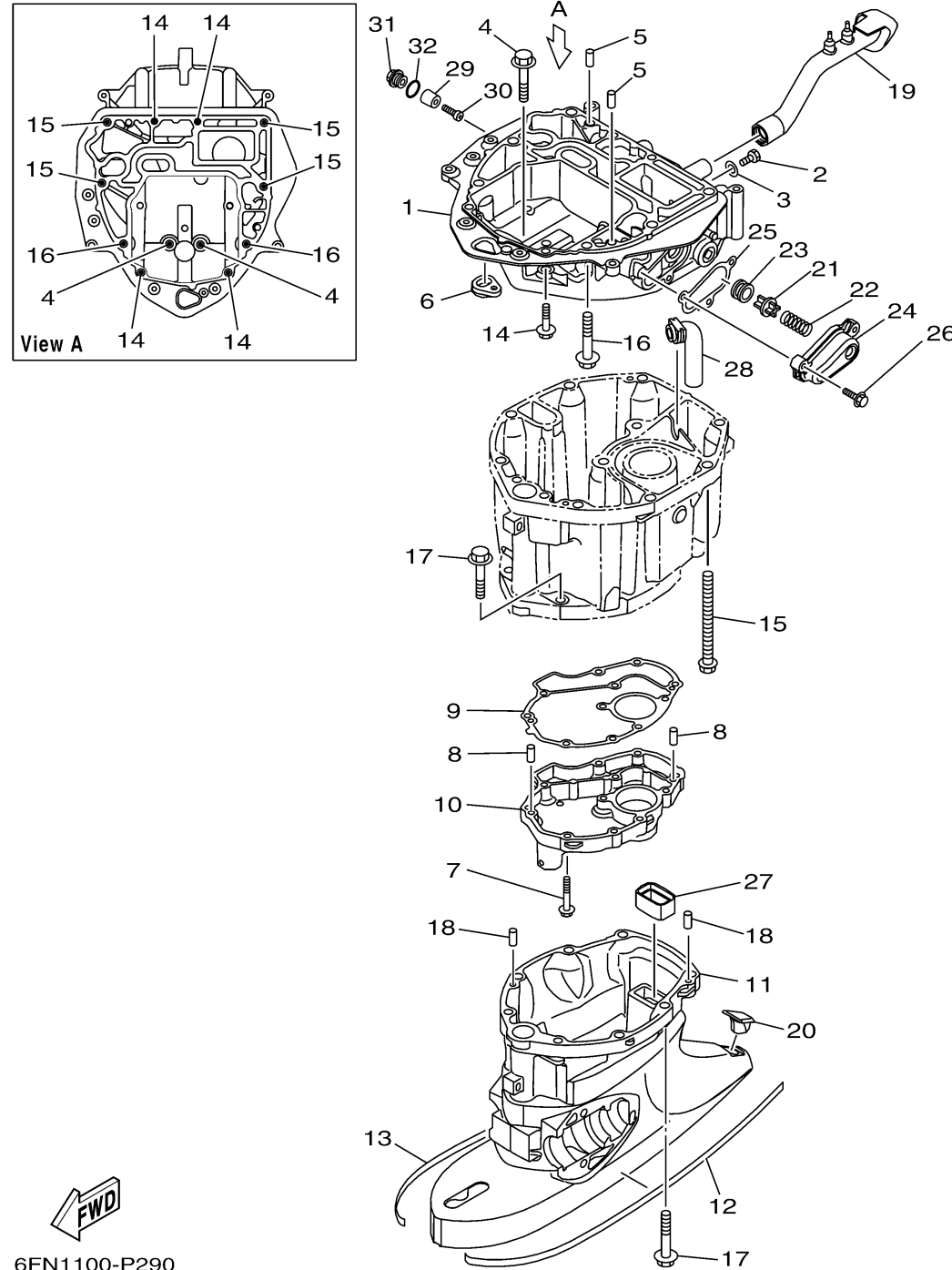


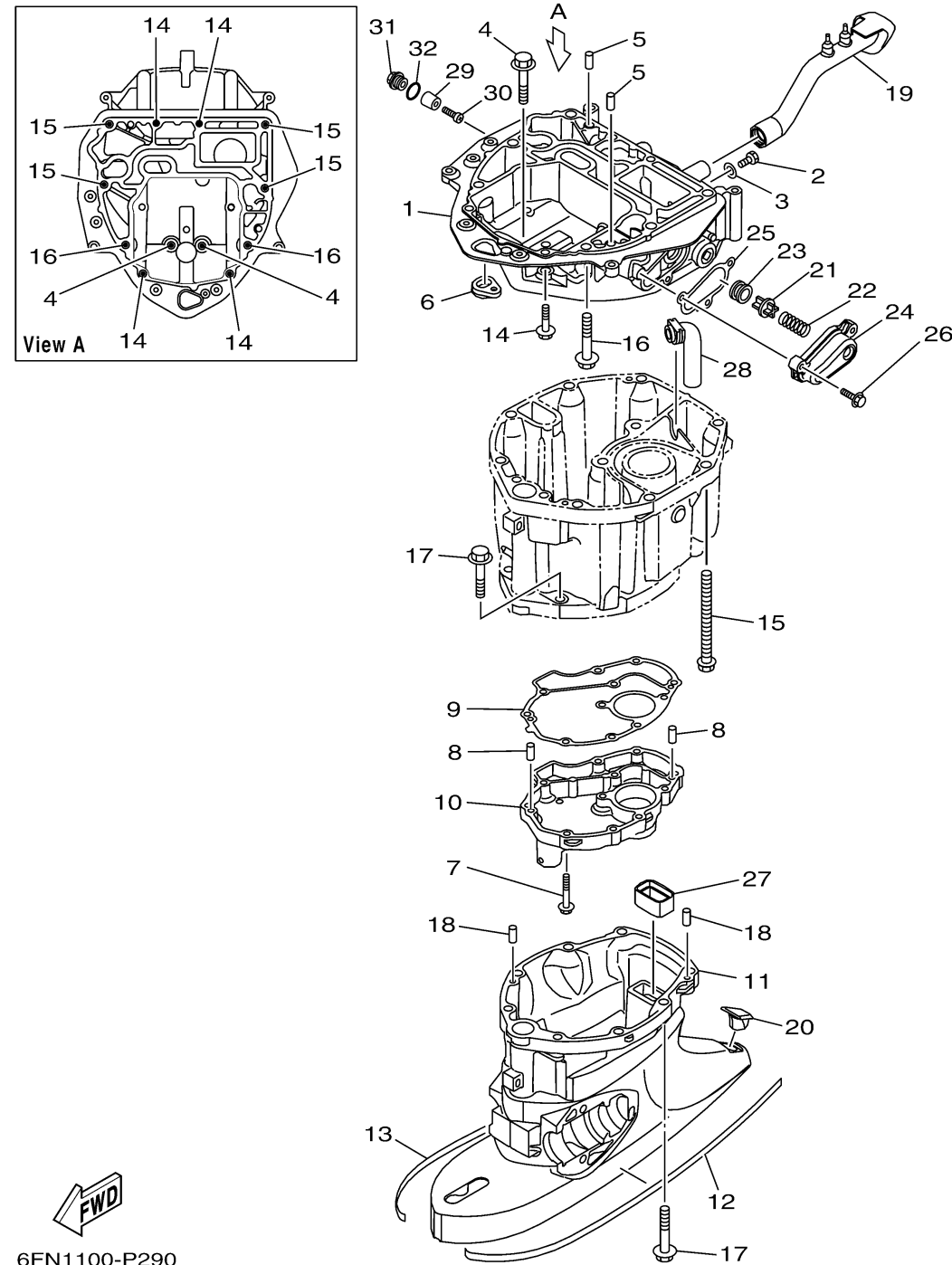
UPPER CASING



Ref No.	Part Number	Description	Qty	Remarks
1	6EK-41137-00-CA	GUIDE, EXHAUST	1	
2	97095-08014-00	BOLT	1	
3	90430-08143-00	GASKET	1	
4	97575-10545-00	BOLT, WITH WASHER	2	
5	93608-12M05-00	PIN, DOWEL	2	
6	6EK-42727-00-00	GROMMET	1	
7	95895-06030-00	BOLT, FLANGE	11	
8	93606-12019-00	PIN, DOWEL	2	
9	6EK-41134-00-00	.GASKET, EXHAUST MANIFOLD	1	
10	6EK-45181-00-9S	PLATE	1	
11	6EK-45111-00-8D	CASING, UPPER	1	
12	6N9-42791-40-00	MARK 1	1	
13	6N9-42792-40-00	MARK 2	1	
14	97575-08535-00	BOLT, WITH WASHER	4	
15	90119-10007-00	BOLT, WITH WASHER	4	
16	97575-10545-00	BOLT, WITH WASHER	2	
17	97575-10545-00	BOLT, WITH WASHER	8	
18	93606-12019-00	PIN, DOWEL	2	
19	6EK-42769-00-00	SEAL, RUBBER	1	
20	6C5-45155-00-00	CAP	1	

CONTINUED ON NEXT FRAME >

UPPER CASING



Ref No.	Part Number	Description	Qty	Remarks
21	6G5-12416-00-00	VALVE, PRESSURE CONTROL	1	
22	90501-200A2-00	SPRING, COMPRESSION	1	
23	90480-20M05-00	GROMMET	1	
24	6EK-1246A-00-9S	COVER 1	1	
25	6EK-12435-A0-00	.GASKET	1	
26	95895-06025-00	BOLT, FLANGE	3	
27	67F-45127-00-00	.SEAL	1	
28	6EK-45135-00-00	PIPE	1	
29	6G8-11325-00-00	ANODE	1	
30	98980-05025-00	SCREW, BIND	1	
31	6G8-11197-A0-00	PLUG, BLIND	1	
32	93210-13M63-00	.O-RING	1	


6FN1100-P290