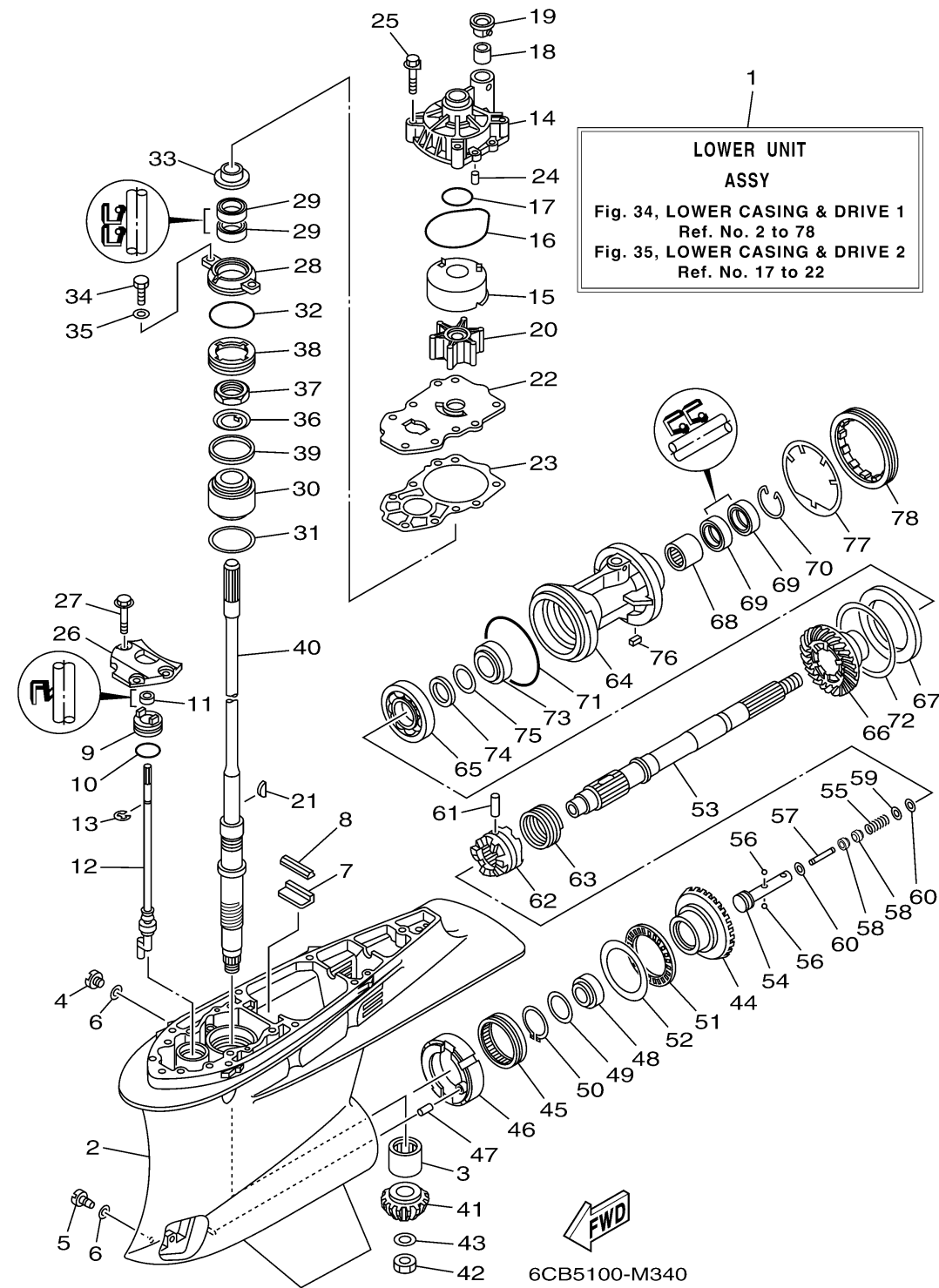


LOWER CASING DRIVE 1

Ref No.	Part Number	Description	Qty	Remarks
1	6CB-45300-01-NA	LOWER UNIT ASSY	1	
2	6CB-45311-01-NA	CASING, LOWER	1	
3	93311-928U5-00	BEARING	1	
4	90340-08002-00	PLUG, STRIAGHT SCREW	1	
5	688-45341-10-00	PLUG, DRAIN	1	
6	90430-08003-00	GASKET	2	
7	663-45376-00-00	GUIDE, SEAL DAMPER	1	
8	688-45375-00-00	DAMPER, SEAL	1	
9	65N-45321-00-00	PLATE	1	
10	93210-33M49-00	O-RING	1	
11	93106-09014-00	OIL SEAL	1	
12	6CB-44150-00-00	SHIFT CAM ASSY	1	
13	99001-08600-00	CIRCLIP	1	
14	61A-44311-01-00	HOUSING, WATER PUMP	1	
15	61A-44322-02-00	.INSERT, CARTRIDGE	1	
16	93210-86M38-00	.O-RING	1	
17	93210-37160-00	O-RING	1	
18	6E5-44365-00-00	.DAMPER, WATER SEAL 1	1	
19	6E5-44312-00-00	COVER, WATER PUMP HOUSING	1	
20	6E5-44352-01-00	.IMPELLER	1	

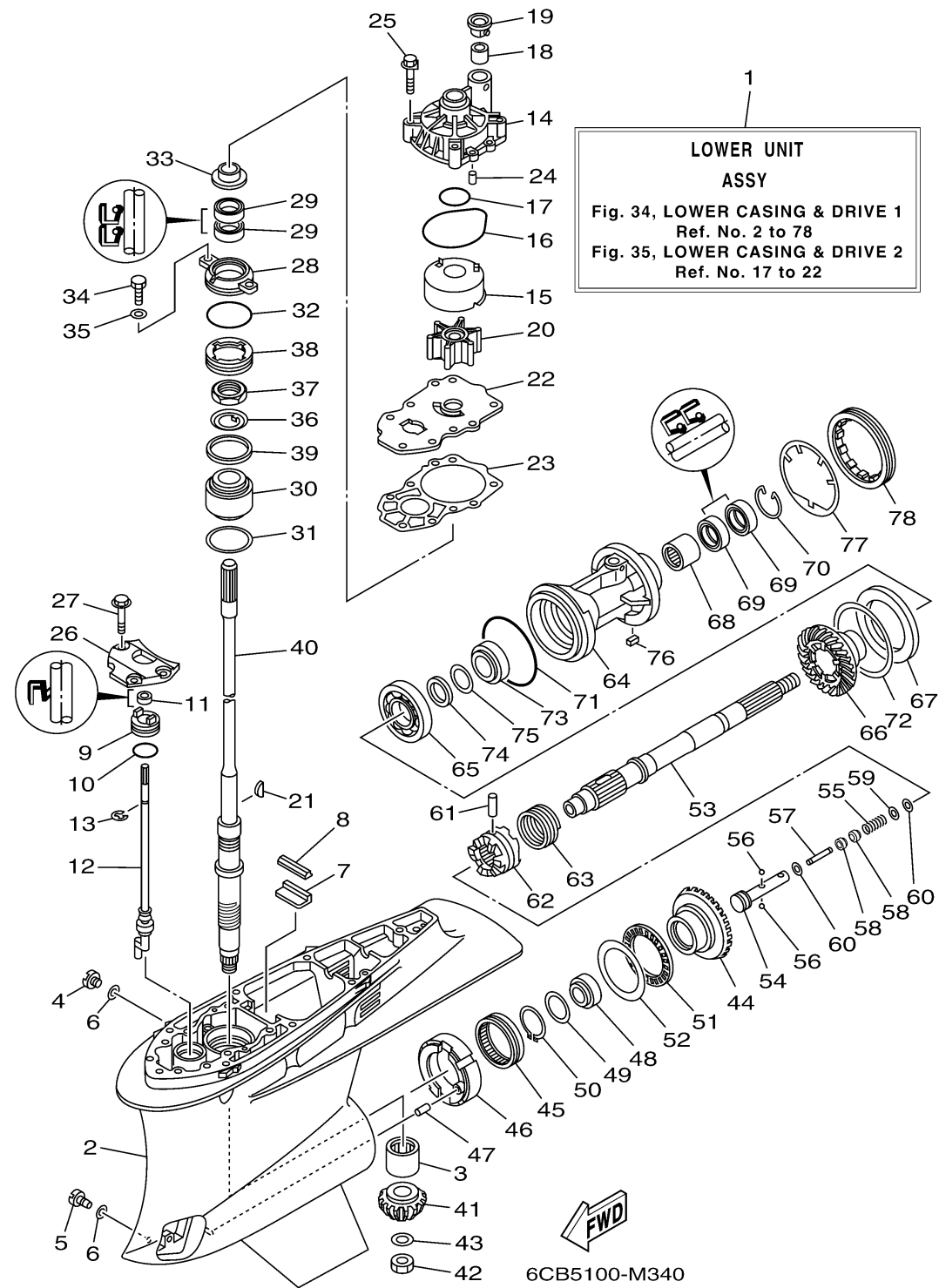
CONTINUED ON NEXT FRAME >

LOWER CASING DRIVE 1



Ref No.	Part Number	Description	Qty	Remarks
21	90280-04002-00	KEY, WOODRUFF	1	
22	6CB-44323-00-00	.OUTER PLATE, CARTRIDGE	1	
23	6CB-44315-00-00	.GASKET, WATER PUMP	1	
24	93606-12019-00	PIN, DOWEL	2	
25	90119-08M14-00	BOLT, WITH WASHER	4	
26	6CB-44312-00-00	COVER, WATER PUMP HOUSING	1	
27	90119-08M32-00	BOLT, WITH WASHER	3	
28	6CB-45335-00-9S	HOUSING, OIL SEAL	1	
29	93101-28M16-00	OIL, SEAL	2	
30	93332-000A3-00	BEARING	1	
31	6CB-45587-00-00	SHIM (T:0.10MM)	1	UR
31	6CB-45587-10-00	SHIM (T:0.12MM)	1	UR
31	6CB-45587-20-00	SHIM (T:0.15MM)	1	UR
31	6CB-45587-30-00	SHIM (T:0.18MM)	1	UR
31	6CB-45587-40-00	SHIM (T:0.30MM)	1	UR
31	6CB-45587-50-00	SHIM (T:0.40MM)	1	UR
31	6CB-45587-60-00	SHIM (T:0.50MM)	1	UR
32	93210-58144-00	.O-RING	1	
33	6E5-45344-00-00	COVER, OIL SEAL	1	
34	97095-08020-00	BOLT	2	

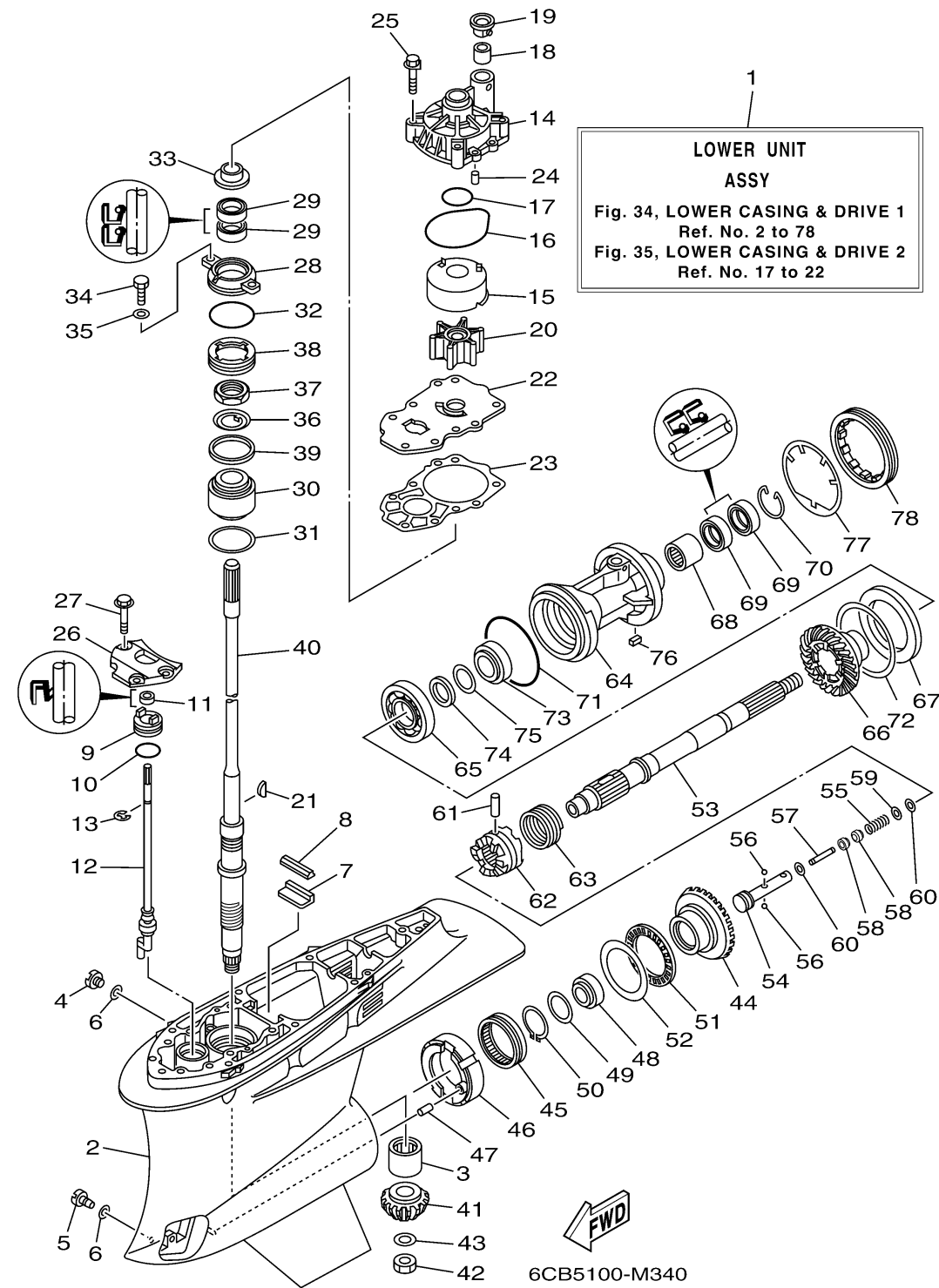
CONTINUED ON NEXT FRAME >



LOWER CASING DRIVE 1

Ref No.	Part Number	Description	Qty	Remarks
35	92995-08600-00	WASHER	2	
36	90214-30003-00	WASHER, CLAW	1	
37	90170-30M18-00	NUT	1	
38	6CB-45244-00-00	NUT	1	
39	6CB-45539-00-00	SPACER 2	1	
40	6CB-45501-01-00	DRIVE SHAFT COMP.	1	
41	6CB-45551-00-00	PINION (12T)	1	
42	90170-16M19-00	NUT	1	
43	90201-16M00-00	WASHER, PLATE	1	
44	6CB-45561-00-00	GEAR 1 (21T)	1	
45	93311-85894-00	BEARING	1	
46	6CB-45824-00-00	ADAPTER	1	
47	93608-16M16-00	PIN, DOWEL	1	
48	93332-000A4-00	BEARING	1	
49	90201-41008-00	WASHER, PLATE	1	
50	99009-47500-00	CIRCLIP	1	
51	93340-67011-00	BEARING	1	
52	6CB-45567-00-00	SHIM (T:2.00MM)	1	UR
52	6CB-45567-10-00	SHIM (T:2.03MM)	1	UR
52	6CB-45567-20-00	SHIM (T:2.06MM)	1	UR

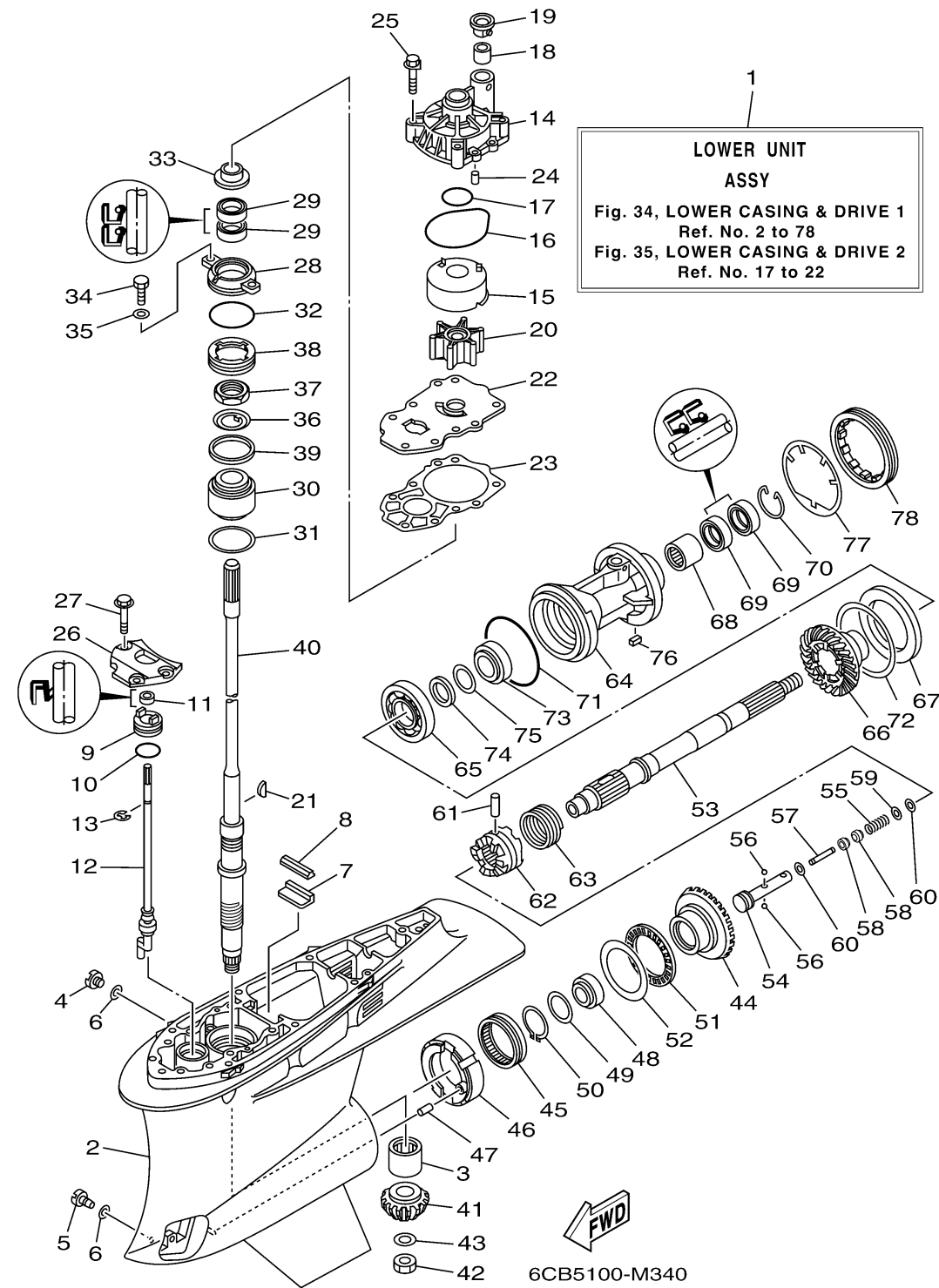
CONTINUED ON NEXT FRAME >



LOWER CASING DRIVE 1

Ref No.	Part Number	Description	Qty	Remarks
52	6CB-45567-30-00	SHIM (T:2.09MM)	1	UR
52	6CB-45567-40-00	SHIM (T:2.12MM)	1	UR
52	6CB-45567-50-00	SHIM (T:2.15MM)	1	UR
53	6CB-45611-00-00	SHAFT, PROPELLER	1	
54	6CB-45634-00-00	SLIDE, SHIFT	1	
55	90501-10M77-00	SPRING, COMPRESSION	1	
56	93501-04011-00	BALL	2	
57	6H1-45668-00-00	SHAFT, FREE 1	1	
58	61A-45635-00-00	PLUNGER, SHIFT	2	
59	90201-02M00-00	WASHER, PLATE	1	
60	90183-02M03-00	NUT, SPRING	2	
61	90250-08M07-00	PIN, STRAIGHT	1	
62	6CB-45631-00-00	CLUTCH, DOG	1	
63	6E5-45633-01-00	RING, CROSS PIN	1	
64	6CB-45332-00-CA	HOUSING, BEARING	1	
65	93306-209U0-00	BEARING	1	
66	6CB-45571-00-00	GEAR 2 (21T)	1	
67	6CB-45576-00-00	WASHER, THRUST 2	1	
68	93315-43061-00	BEARING	1	
69	93101-30M17-00	.OIL SEAL	2	

CONTINUED ON NEXT FRAME >



LOWER CASING DRIVE 1

Ref No.	Part Number	Description	Qty	Remarks
70	93450-45M02-00	CIRCLIP	1	
71	93211-02001-00	O-RING	1	
72	6CB-45577-00-00	SHIM (T:0.10MM)	1	UR
72	6CB-45577-10-00	SHIM (T:0.12MM)	1	UR
72	6CB-45577-20-00	SHIM (T:0.15MM)	1	UR
72	6CB-45577-30-00	SHIM (T:0.18MM)	1	UR
72	6CB-45577-40-00	SHIM (T:0.30MM)	1	UR
72	6CB-45577-50-00	SHIM (T:0.40MM)	1	UR
72	6CB-45577-60-00	SHIM (T:0.50MM)	1	UR
73	93332-000A5-00	BEARING	1	
74	90201-32008-00	WASHER, PLATE	1	
75	676-45567-00-00	SHIM (T:0.7MM)	1	UR
75	676-45567-10-00	SHIM (T:0.8MM)	1	UR
75	676-45567-20-00	SHIM (T:0.9MM)	1	UR
75	676-45567-30-00	SHIM (T:1.0MM)	1	UR
75	676-45567-40-00	SHIM (T:1.1MM)	1	UR
75	676-45567-50-00	SHIM (T:1.2MM)	1	UR
76	90282-05008-00	KEY, STRAIGHT	1	
77	6CB-45383-00-00	WASHER, CLAW	1	
78	6CB-45384-00-00	NUT	1	