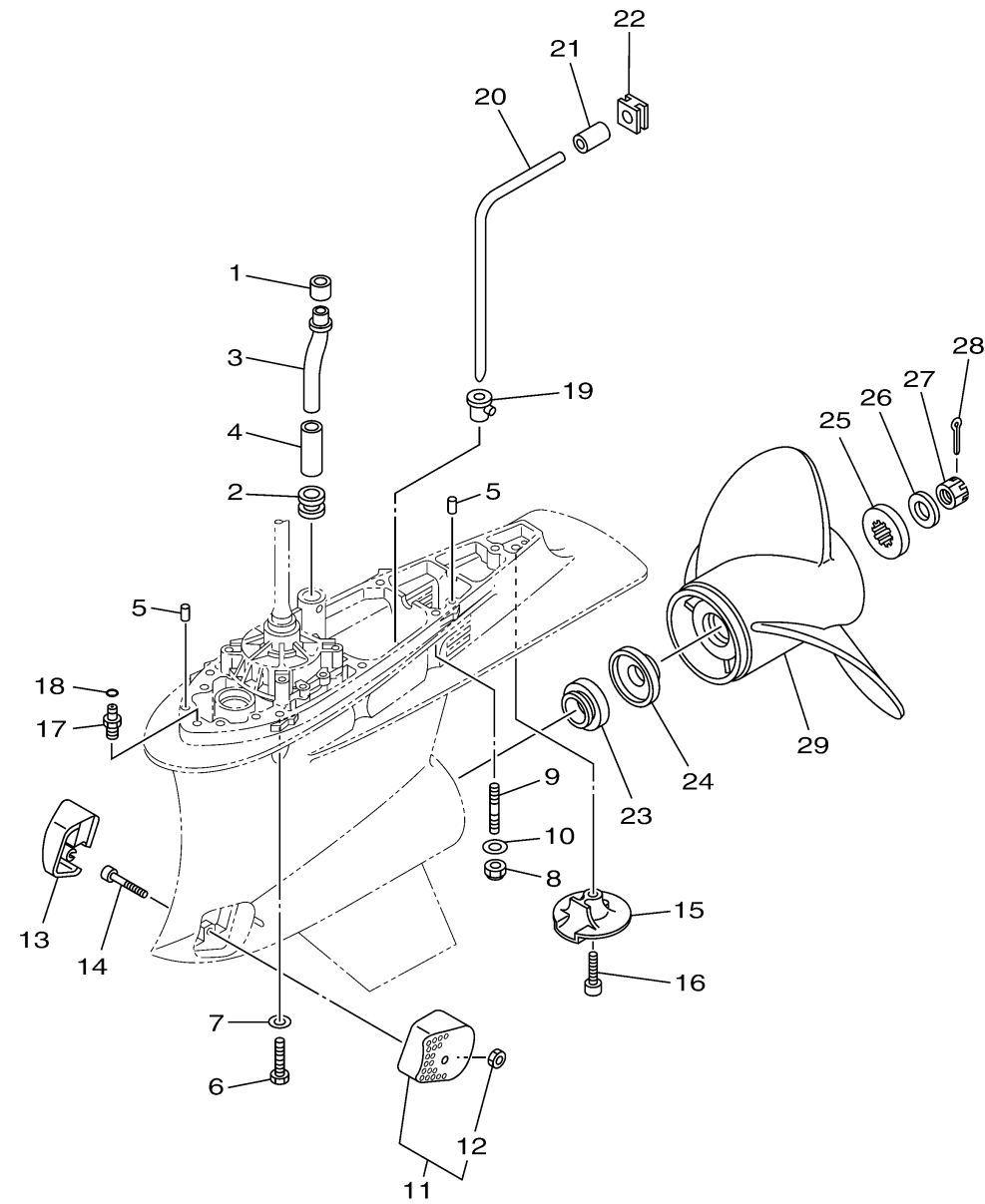


LOWER CASING DRIVE 2

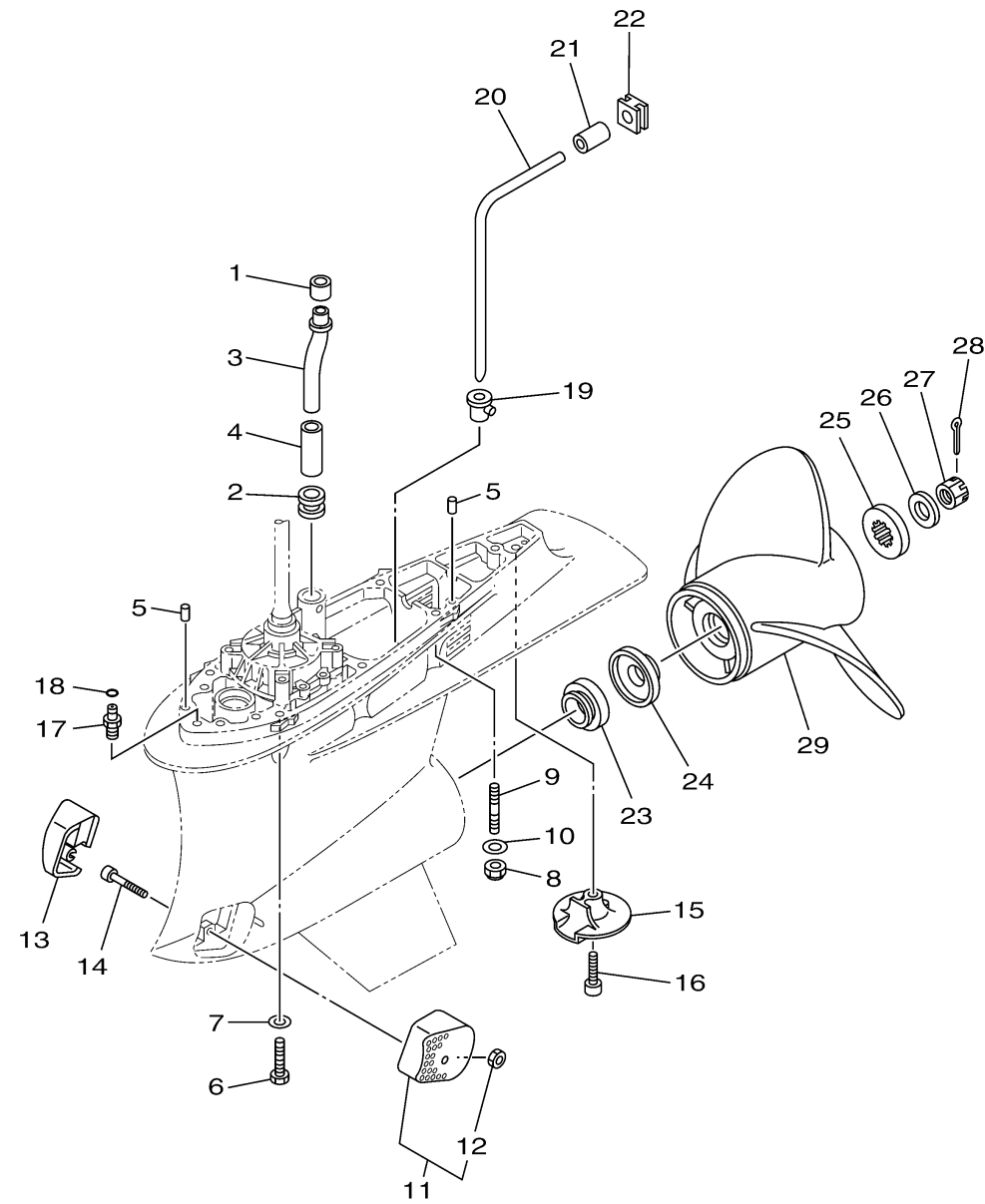


Ref No.	Part Number	Description	Qty	Remarks
1	6E5-44365-00-00	.DAMPER, WATER SEAL 1	1	
2	6E5-44366-00-00	.DAMPER, WATER SEAL 2	1	
3	6CB-44361-00-00	TUBE, WATER 1	1	
4	90445-23002-00	HOSE (L59)	1	
5	93608-16M16-00	PIN, DOWEL	2	
6	97095-10045-00	BOLT	3	
7	92995-10600-00	WASHER	3	
8	95780-10300-00	NUT, FLANGE	4	
9	90116-10021-00	BOLT, STUD	4	
10	92995-10600-00	WASHER	4	
11	6CB-45214-20-00	COVER, WATER INLET 1	1	
12	90185-05002-00	. NUT, NYLON	1	
13	6CB-45215-20-00	COVER, WATER INLET 2	1	
14	90110-05039-00	BOLT, HEXAGON SOCKET HEAD	1	
15	6AW-45619-00-00	CAP	1	
16	90110-10018-00	BOLT, HEXAGON SOCKET HEAD	1	
17	63P-45378-00-00	NIPPLE, HOSE	1	
18	93210-07003-00	O-RING	1	
19	6D0-44367-00-00	DAMPER, WATER SEAL 3	1	
20	6CB-44362-00-00	TUBE, WATER 2	1	

CONTINUED ON NEXT FRAME >


6CC8100-Q350

LOWER CASING DRIVE 2



6CC8100-Q350

Ref No.	Part Number	Description	Qty	Remarks
21	6D0-44365-00-00	DAMPER, WATER SEAL 1	1	
22	6D0-44366-00-00	DAMPER, WATER SEAL 2	1	
23	60X-45987-10-00	SPACER 1	1	
24	60X-45995-00-00	SPACER 3	1	
25	688-45997-01-00	SPACER 2	1	
26	92990-18200-00	WASHER	1	
27	90171-18M04-00	NUT, CASTLE	1	
28	91490-40030-00	PIN, COTTER	1	
29	6CB-45970-10-00	PROPELLER (3X15-1/8"X27"-T1)	1	UR
29	6CB-45974-10-00	PROPELLER (3X15-1/8"X23"-T1)	1	UR
29	6CB-45978-10-00	PROPELLER (3X15-1/8"X26"-T1)	1	UR
29	6CB-45972-10-00	PROPELLER (3X15-1/8"X25"-T1)	1	UR