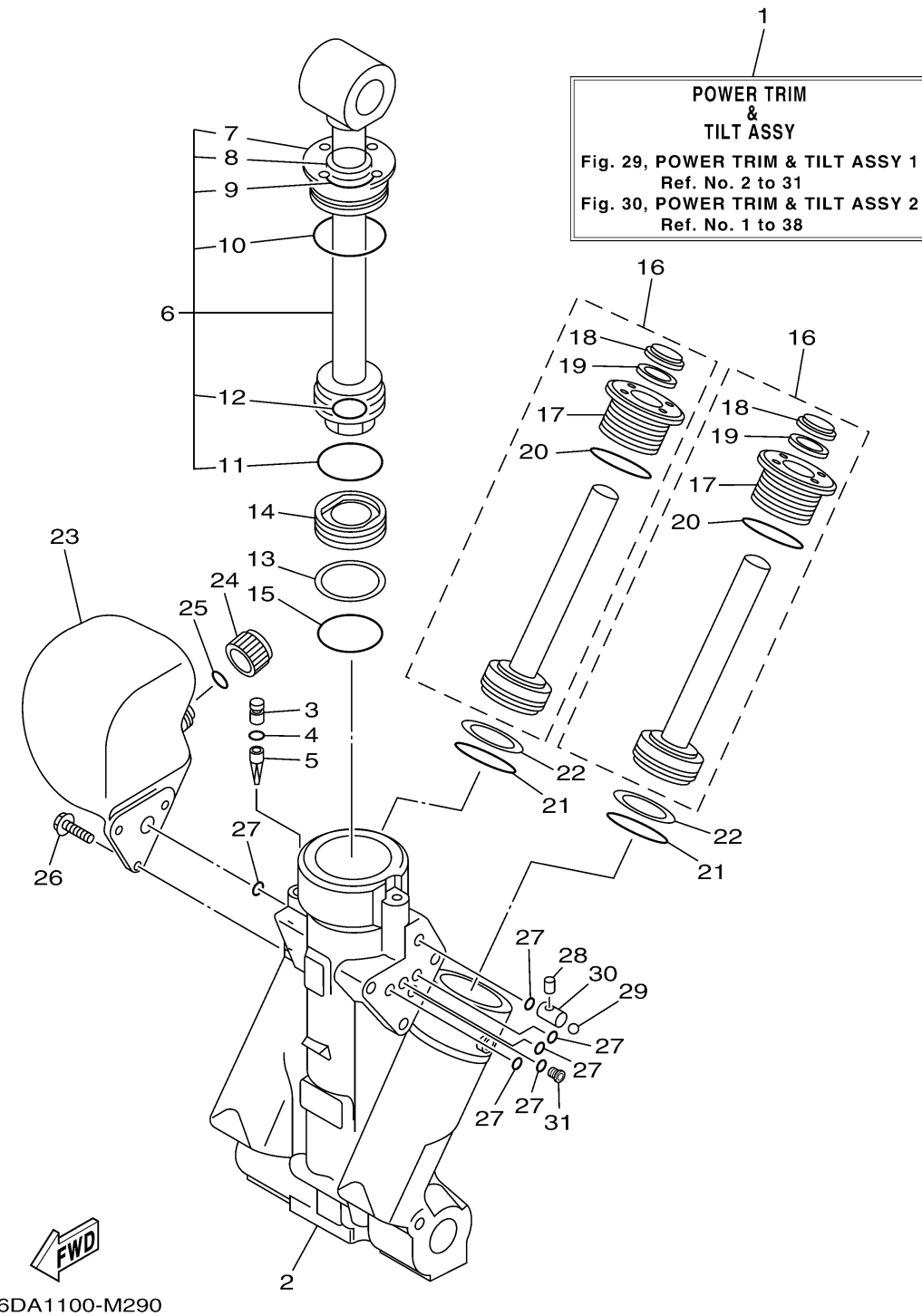


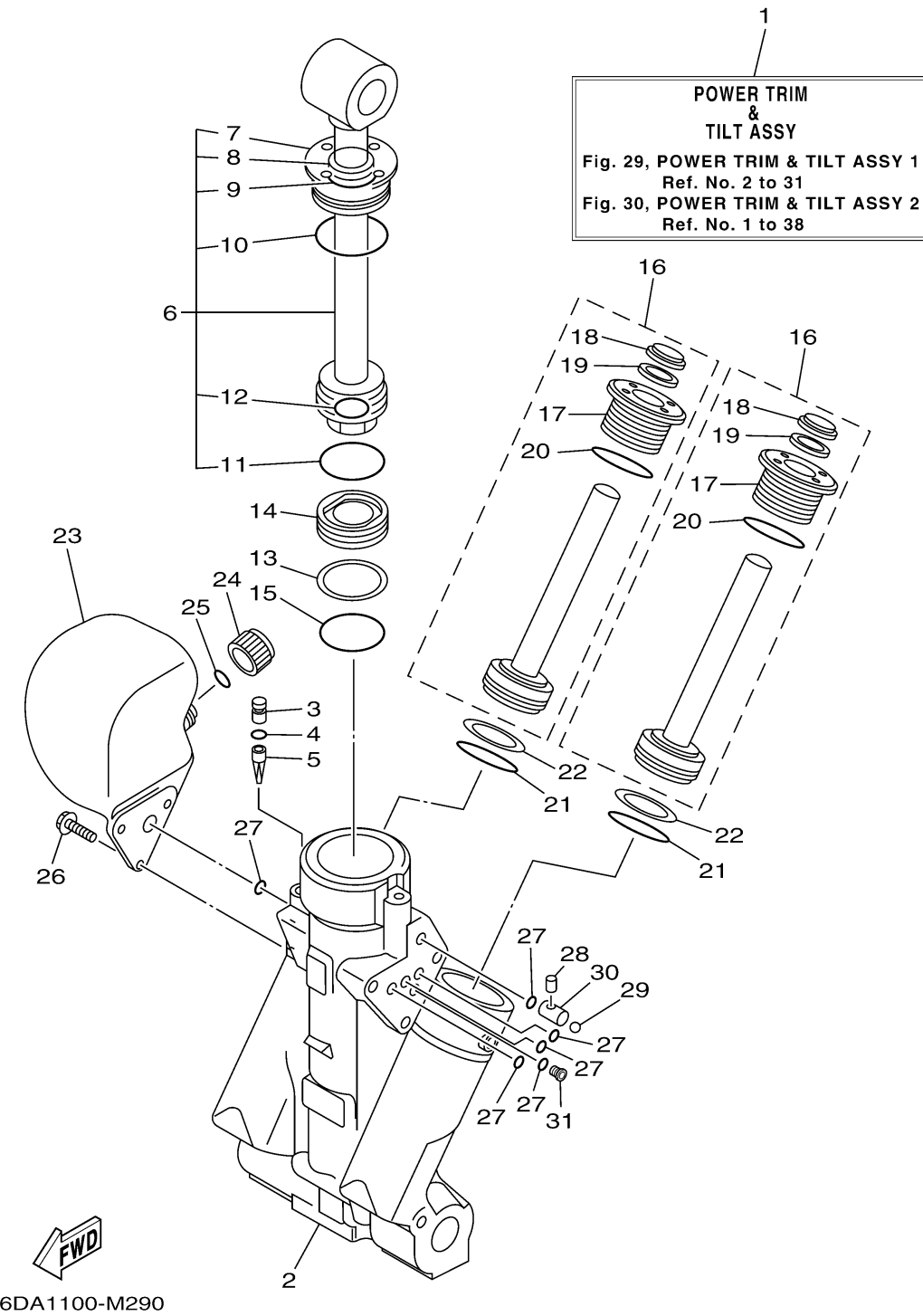
POWER TRIM TILT ASSY 1



| Ref No. | Part Number | Description | Qty | Remarks |
|---------|-----------------|----------------------------|-----|---------|
| 1 | 63P-43800-07-00 | POWER TRIM & TILT ASSY | 1 | |
| 2 | 64E-43825-03-00 | HOUSING, TRIM & TILT | 1 | |
| 3 | 6AW-4388J-00-00 | PLUG 2 | 1 | |
| 4 | 93210-10M74-00 | O-RING | 1 | |
| 5 | 64E-43817-00-00 | FILTER 2 | 1 | |
| 6 | 63P-43810-02-00 | TILT PISTON SUB ASSY | 1 | |
| 7 | 64E-43811-02-00 | ..SCREW, CYLINDER END | 1 | |
| 8 | 64E-43898-00-00 | ..SEAL, DUST 2 | 1 | |
| 9 | 64E-43867-00-00 | ..O-RING | 1 | |
| 10 | 64E-43866-00-00 | ..O-RING | 1 | |
| 11 | 6E5-43862-00-00 | ..O-RING | 1 | |
| 12 | 64E-43883-00-00 | ..O-RING | 1 | |
| 13 | 6E5-43872-00-00 | RING, BACK UP | 1 | |
| 14 | 6E5-43814-02-00 | PISTON, FREE | 1 | |
| 15 | 6E5-43862-00-00 | O-RING | 1 | |
| 16 | 64E-43820-05-00 | TRIM PISTON SUB ASSY | 2 | |
| 17 | 64E-43821-05-00 | ..SCREW, TRIM CYLINDER END | 1 | |
| 18 | 64E-43822-00-00 | ..SEAL, TRIM DUST | 1 | |
| 19 | 64E-4384J-00-00 | ..SEAL, TRIM DOWN | 1 | |
| 20 | 6G5-43864-00-00 | ..O-RING | 1 | |

CONTINUED ON NEXT FRAME >

POWER TRIM TILT ASSY 1



| Ref No. | Part Number | Description | Qty | Remarks |
|---------|-----------------|----------------------|-----|---------|
| 21 | 6E5-43864-00-00 | O-RING | 2 | |
| 22 | 6E5-43874-01-00 | RING, BACK UP | 2 | |
| 23 | 64E-43828-01-00 | BODY, RESERVOIR | 1 | |
| 24 | 64E-43829-01-00 | PLUG, RESERVOIR | 1 | |
| 25 | 64E-43897-00-00 | O-RING | 1 | |
| 26 | 64E-4388E-01-00 | BOLT ,SCREW (L:14MM) | 3 | |
| 27 | 64E-43869-00-00 | O-RING | 6 | |
| 28 | 64E-4381G-00-00 | PIN | 1 | |
| 29 | 6E5-43858-00-00 | BALL | 1 | |
| 30 | 64E-4382G-00-00 | VALVE, SEAT | 1 | |
| 31 | 64E-4384N-00-00 | PLUG, ORIFICE | 1 | |