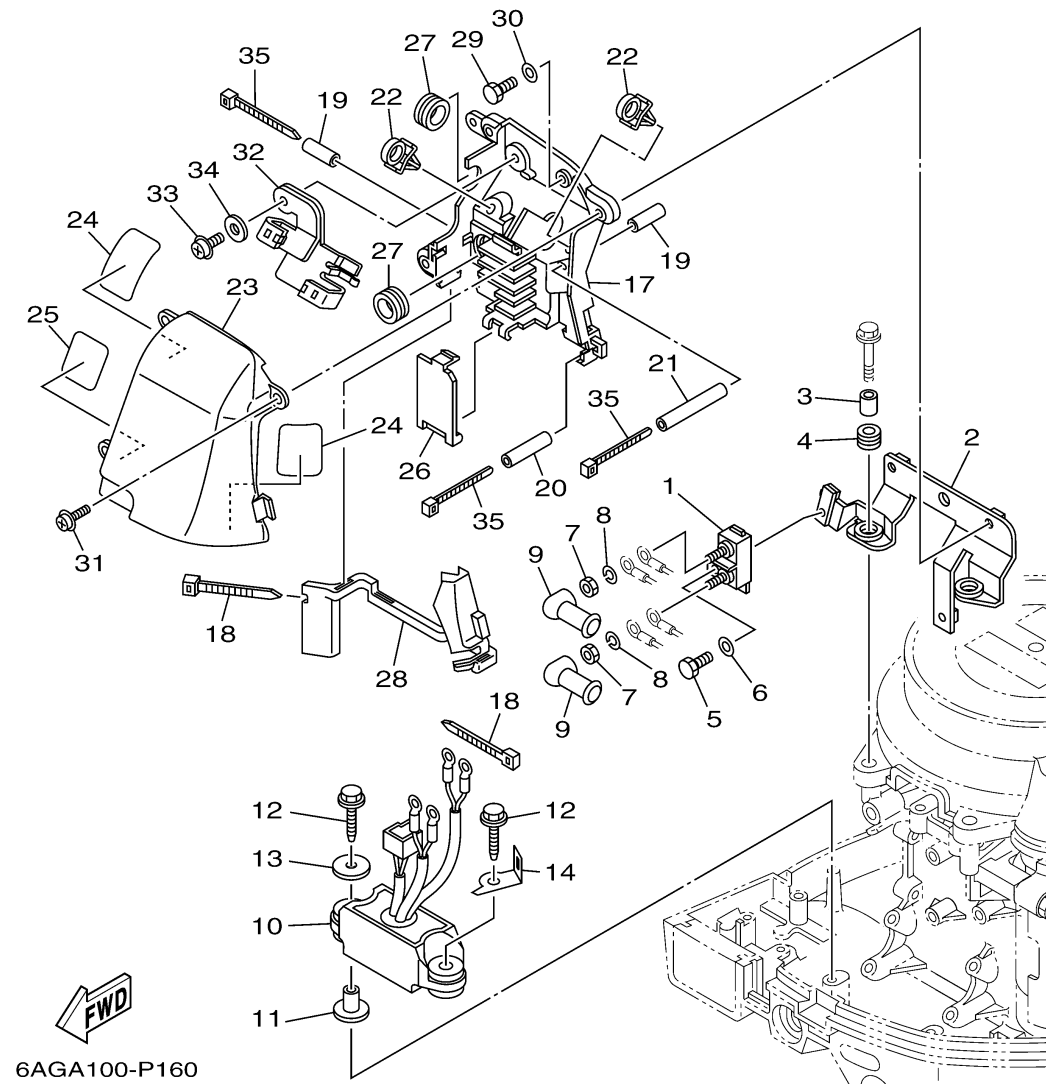
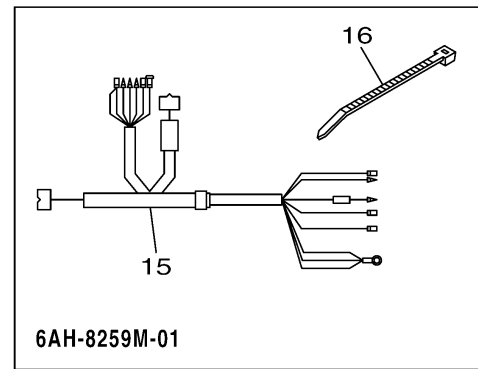


ELECTRICAL 4

Ref No.	Part Number	Description	Qty	Remarks
1	6H5-81925-00-00	TERMINAL	0	
2	6AH-81929-01-00	BRACKET, TERMINAL	0	
3	90387-06182-00	COLLAR	0	
4	6AH-82317-00-00	DAMPER, IGNITION COIL	0	
5	97095-06014-00	BOLT	0	
6	92995-06600-00	WASHER	0	
7	90170-06M30-00	NUT	0	
8	90204-06M00-00	WASHER, SPRING	0	
9	6G5-82119-00-00	COVER, LEAD WIRE	0	
10	6AH-81950-00-00	RELAY ASSY	0	
11	90387-06M03-00	COLLAR	0	
12	90109-06MA2-00	BOLT	0	
13	90201-06416-00	WASHER, PLATE	0	
14	6AH-82388-00-00	PLATE	0	
15	6AH-8259M-01-00	WIRE HARNESS ASSY 2	0	
16	90465-13M18-00	CLAMP	0	
17	6AH-8552A-10-00	HOUSING	0	
18	90465-13M18-00	CLAMP	0	
19	90445-07025-00	HOSE	0	
20	90445-07026-00	HOSE	0	

CONTINUED ON NEXT FRAME >



ELECTRICAL 4

Ref No.	Part Number	Description	Qty	Remarks
21	90445-07027-00	HOSE	0	
22	90464-12001-00	CLAMP	0	
23	6AH-8552E-10-00	COVER, CASE	0	
24	6AH-42735-10-00	PROTECTOR	0	
25	6AH-42735-20-00	PROTECTOR	0	
26	6AH-85537-10-00	COVER	0	
27	90480-19368-00	GROMMET	0	
28	6AH-85547-10-00	DAMPER	0	
29	97095-06014-00	BOLT	0	
30	92995-06600-00	WASHER	0	
31	97985-06214-00	SCREW, WITH WASHER	0	
32	6AH-85525-10-00	PLATE	0	
33	97985-06214-00	SCREW, WITH WASHER	0	
34	90201-06068-00	WASHER, PLATE	0	
35	90464-76001-00	CLAMP	0	