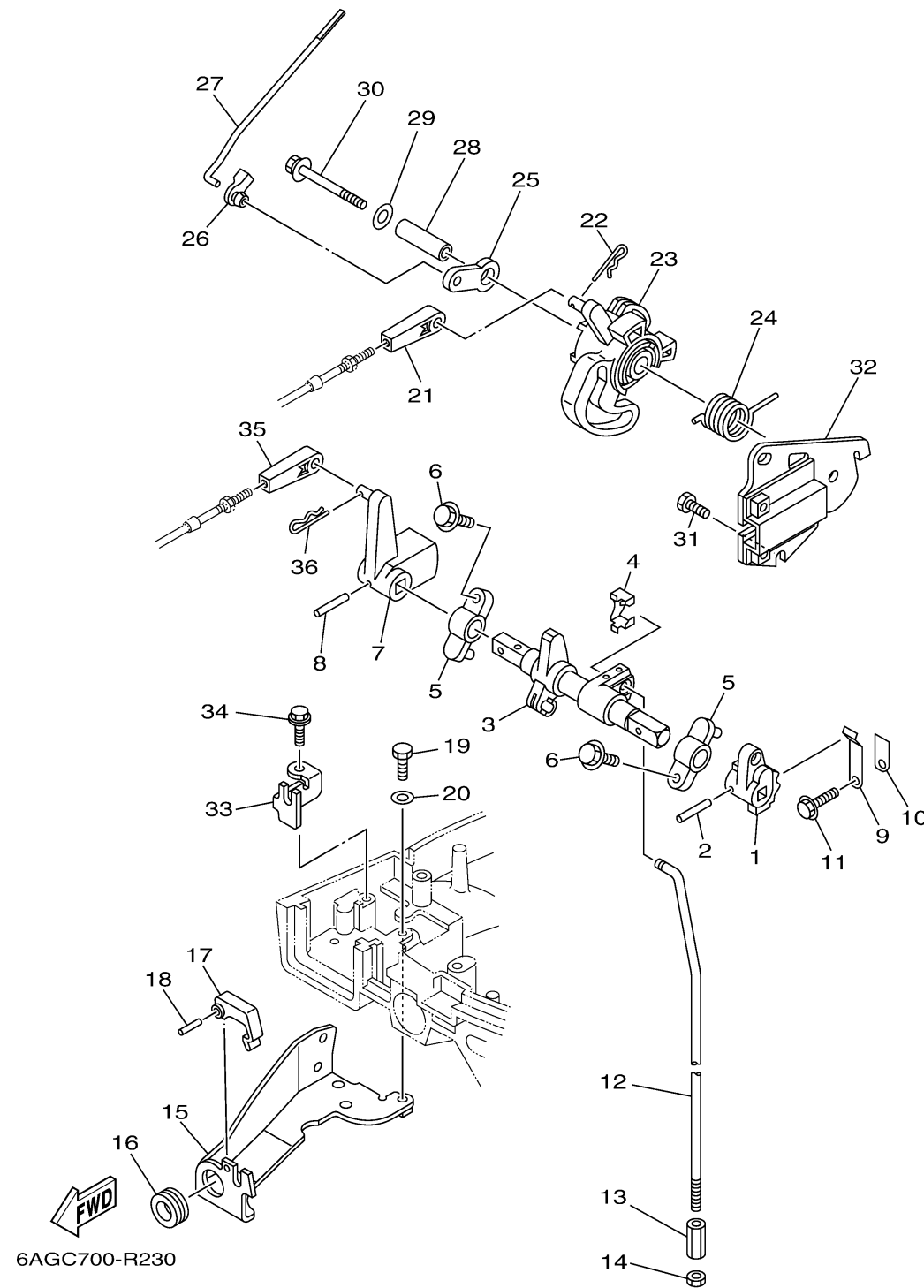


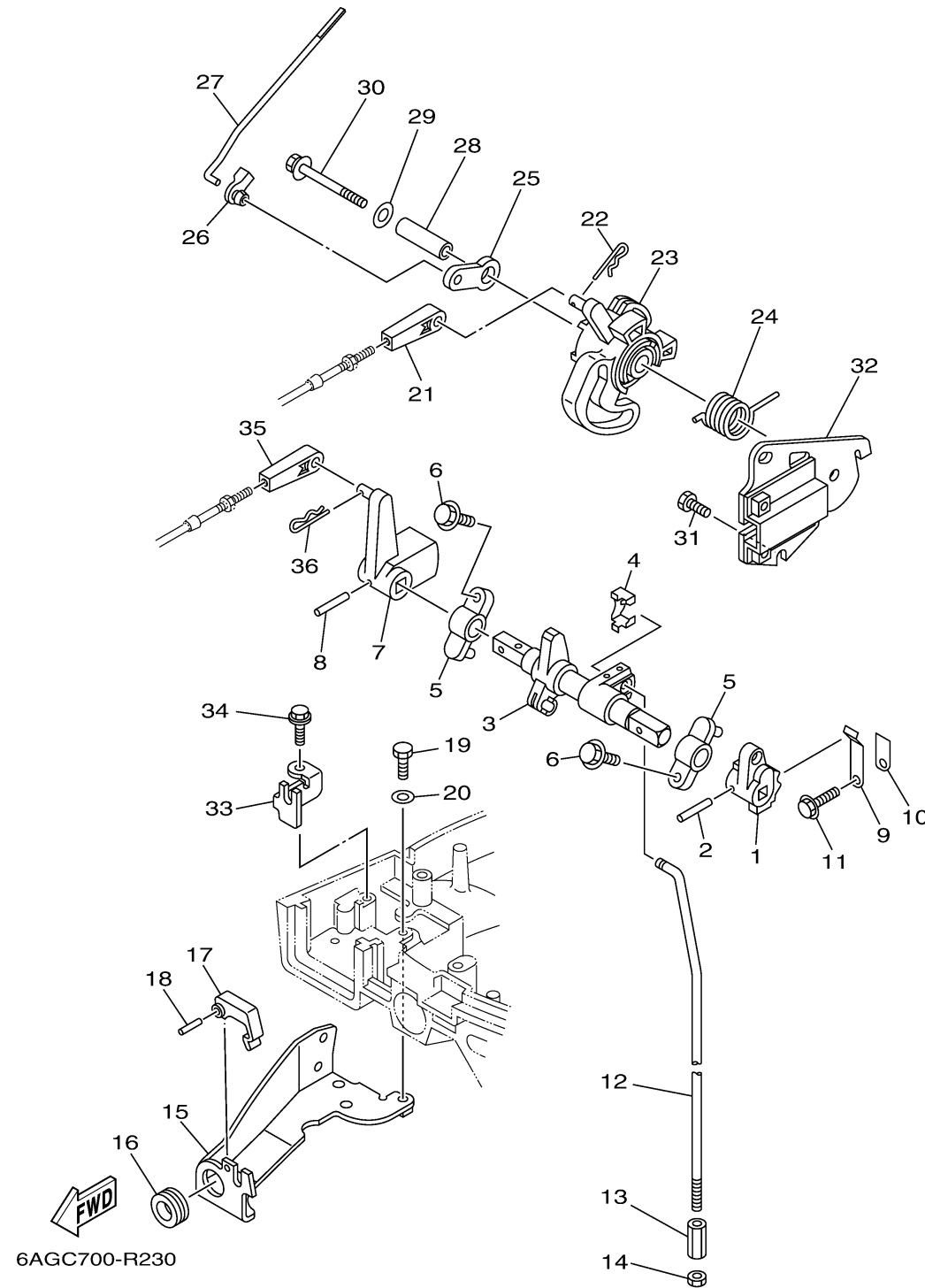
CONTROL 2



| Ref No. | Part Number | Description | Qty | Remarks |
|---------|-----------------|---------------------------|-----|----------|
| 1 | 6AH-44123-00-00 | ARM, SHIFT ROD | 0 | |
| 2 | 90254-03M05-00 | PIN, SPRING | 0 | |
| 3 | 6AH-44121-01-00 | LEVER, SHIFT ROD | 0 | |
| 4 | 6AH-26364-00-00 | END, CABLE 2 | 0 | |
| 5 | 6G1-41662-01-94 | BRACKET 2 | 0 | |
| 6 | 97595-06520-00 | BOLT, WITH WASHER | 0 | |
| 7 | 6AH-44125-00-00 | LEVER, SHIFT ROD | 0 | |
| 8 | 90254-03M05-00 | PIN, SPRING | 0 | |
| 9 | 65W-44116-00-00 | SPRING | 0 | |
| 10 | 66R-44114-00-00 | STOPPER | 0 | |
| 11 | 95895-06014-00 | BOLT, FLANGE | 0 | |
| 12 | 6AH-44143-00-00 | ROD, SHIFT 1 | 0 | S(17.1") |
| 12 | 6AH-44143-10-00 | ROD, SHIFT 1 | 0 | L(22.1") |
| 13 | 90170-06015-00 | NUT | 0 | |
| 14 | 95380-06700-00 | NUT | 0 | |
| 15 | 6AH-48532-00-00 | BRACKET, REMOTE CONTROL 2 | 0 | |
| 16 | 90480-19031-00 | GROMMET | 0 | |
| 17 | 682-48538-50-00 | .CLAMP, CABLE 1 | 0 | |
| 18 | 91690-30012-00 | PIN, SPRING | 0 | |
| 19 | 97095-06014-00 | BOLT | 0 | |

CONTINUED ON NEXT FRAME >

CONTROL 2



| Ref No. | Part Number | Description | Qty | Remarks |
|---------|-----------------|---------------------------|-----|---------|
| 20 | 92995-06600-00 | WASHER | 0 | |
| 21 | 6FM-48344-00-00 | CABLE END, REMOTE CONTROL | 0 | |
| 22 | 90468-18008-00 | CLIP | 0 | |
| 23 | 6AH-41638-00-00 | PULLEY | 0 | |
| 24 | 90508-20M44-00 | SPRING, TORSION | 0 | |
| 25 | 65W-41283-00-00 | LEVER, FREE ACCEL. | 0 | |
| 26 | 6J8-41262-00-00 | JOINT, CHOKE LEVER | 0 | |
| 27 | 6AH-41211-00-00 | LINK, ACCEL. | 0 | |
| 28 | 90387-06139-00 | COLLAR | 0 | |
| 29 | 90201-06M31-00 | WASHER, PLATE | 0 | |
| 30 | 97595-06555-00 | BOLT, WITH WASHER | 0 | |
| 31 | 97095-06014-00 | BOLT | 0 | |
| 32 | 6AH-14571-00-00 | BRACKET, THROTTLE | 0 | |
| 33 | 6AH-48531-00-00 | BRACKET, REMOTE CONTROL 1 | 0 | |
| 34 | 90109-06M86-00 | BOLT | 0 | |
| 35 | 6FM-48344-00-00 | CABLE END, REMOTE CONTROL | 0 | |
| 36 | 90468-18008-00 | CLIP | 0 | |