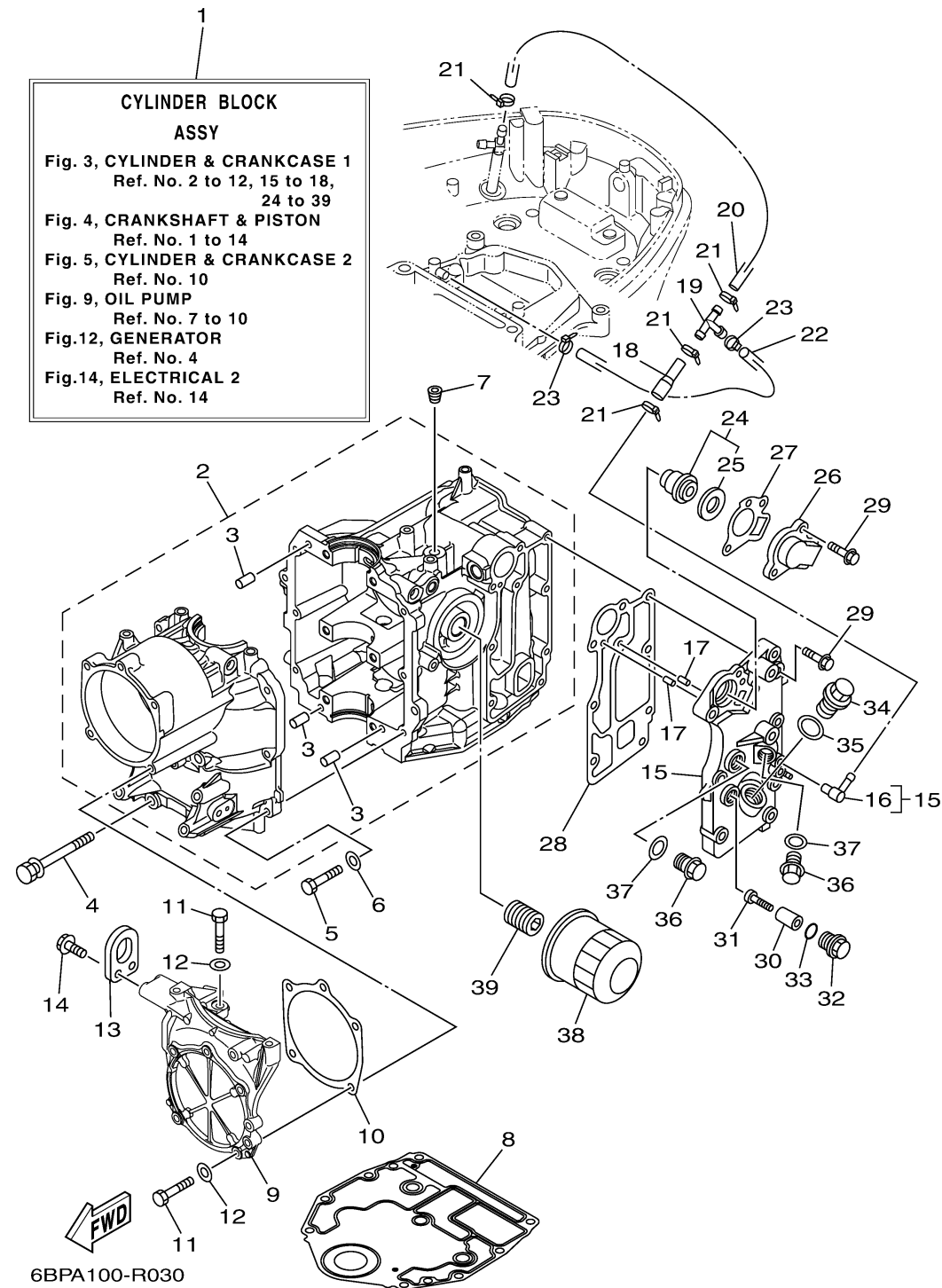


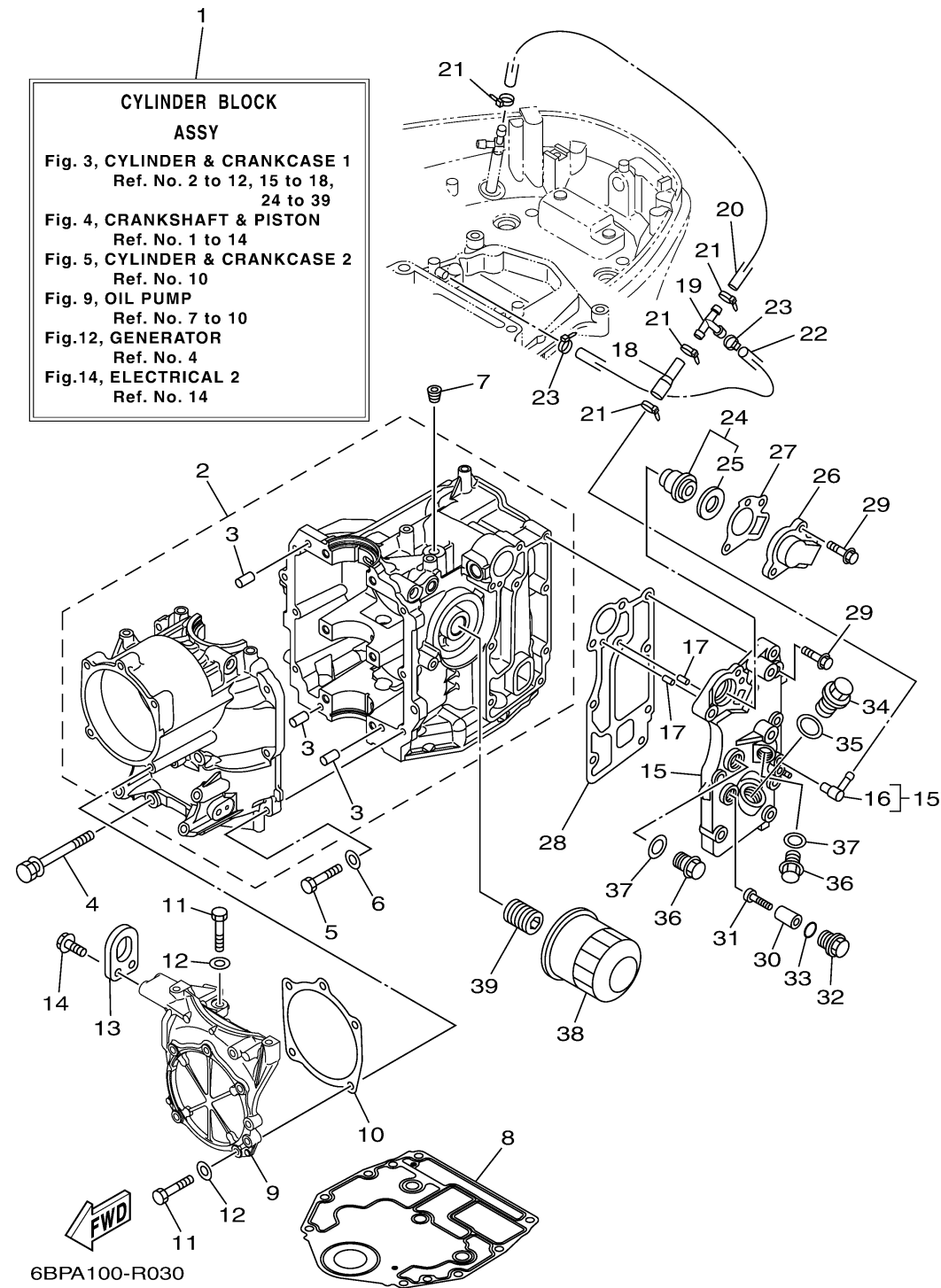
CYLINDER CRANKCASE 1



Ref No.	Part Number	Description	Qty	Remarks
1	6BL-W009B-02-1S	CYLINDER BLOCK ASSY	1	
2	6BL-15100-02-00	CRANKCASE ASSY	1	
3	93606-12019-00	. PIN, DOWEL	3	
4	90119-08M01-00	BOLT, WITH WASHER	6	
5	97013-06025-00	BOLT	7	
6	92903-06600-00	WASHER, PLATE	7	
7	90344-51003-00	PLUG, TAPER SCREW	1	
8	6BG-11351-00-00	.GASKET, CYLINDER	1	
9	6BL-15121-00-1S	CRANKCASE 2	1	
10	6BL-15663-00-00	.SEAL	1	
11	97013-06025-00	BOLT	6	
12	92903-06600-00	WASHER, PLATE	6	
13	62Y-11119-00-00	HANGER, ENGINE	1	
14	97595-06520-00	BOLT, WITH WASHER	2	
15	6BL-41113-01-1S	OUTER COVER, EXHAUST	1	
16	6H1-11372-00-00	. NIPPLE, HOSE	1	
17	93604-10M03-00	PIN, DOWEL	2	
18	6BP-12481-00-00	PIPE 1	1	
19	688-24378-00-00	PIPE, JOINT 3	1	
20	90445-09251-00	HOSE (L350)	1	

CONTINUED ON NEXT FRAME >

CYLINDER CRANKCASE 1



Ref No.	Part Number	Description	Qty	Remarks
21	90465-11M10-00	CLAMP	4	
22	90445-09104-00	HOSE (L300)	1	
23	90465-11M10-00	CLAMP	2	
24	6G8-12411-03-00	THERMOSTAT	1	
25	688-12412-00-00	.SEAL, THERMOSTAT	1	
26	6C5-12413-00-9S	COVER, THERMOSTAT	1	
27	62Y-12414-00-00	.GASKET, COVER	1	
28	6BL-41114-00-00	.GASKET, EXHAUST OUTER COVER	1	
29	90119-06MA5-00	BOLT, WITH WASHER	8	
30	6G8-11325-00-00	ANODE	1	
31	98980-05025-00	SCREW, BIND	1	
32	6G8-11197-A0-00	PLUG, BLIND	1	
33	93210-13M63-00	.O-RING	1	
34	90340-18M09-00	PLUG, STRAIGHT SCREW	1	
35	90201-186F1-00	.WASHER, PLATE	1	
36	90340-14M06-00	PLUG, STRAIGHT SCREW	2	
37	90430-14115-00	.GASKET	2	
38	5GH-13440-60-00	ELEMENT ASSY, OIL CLEANER	1	
39	6C5-12858-00-00	BOLT, UNION	1	