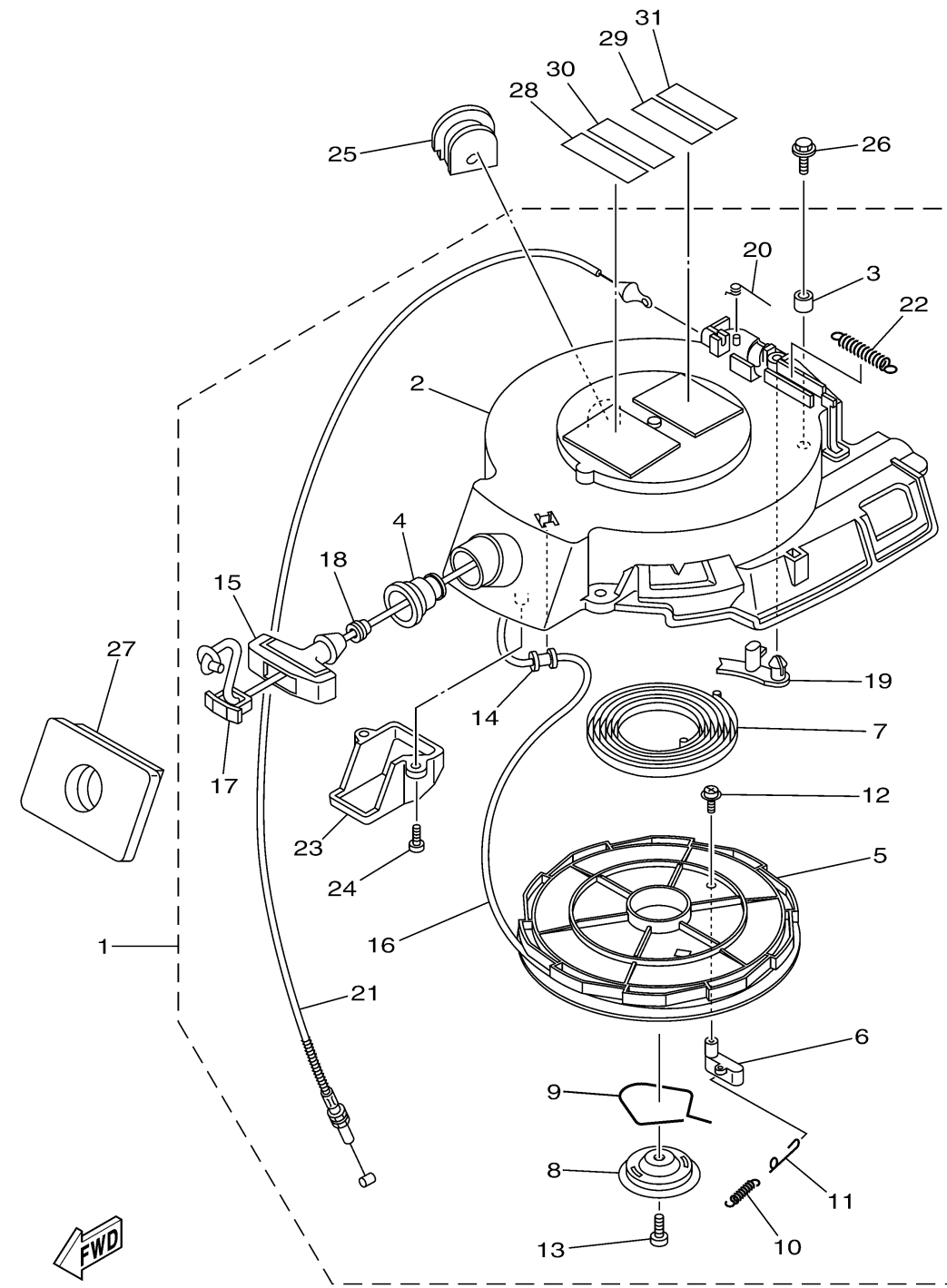


# STARTER



6BP9100-Q110

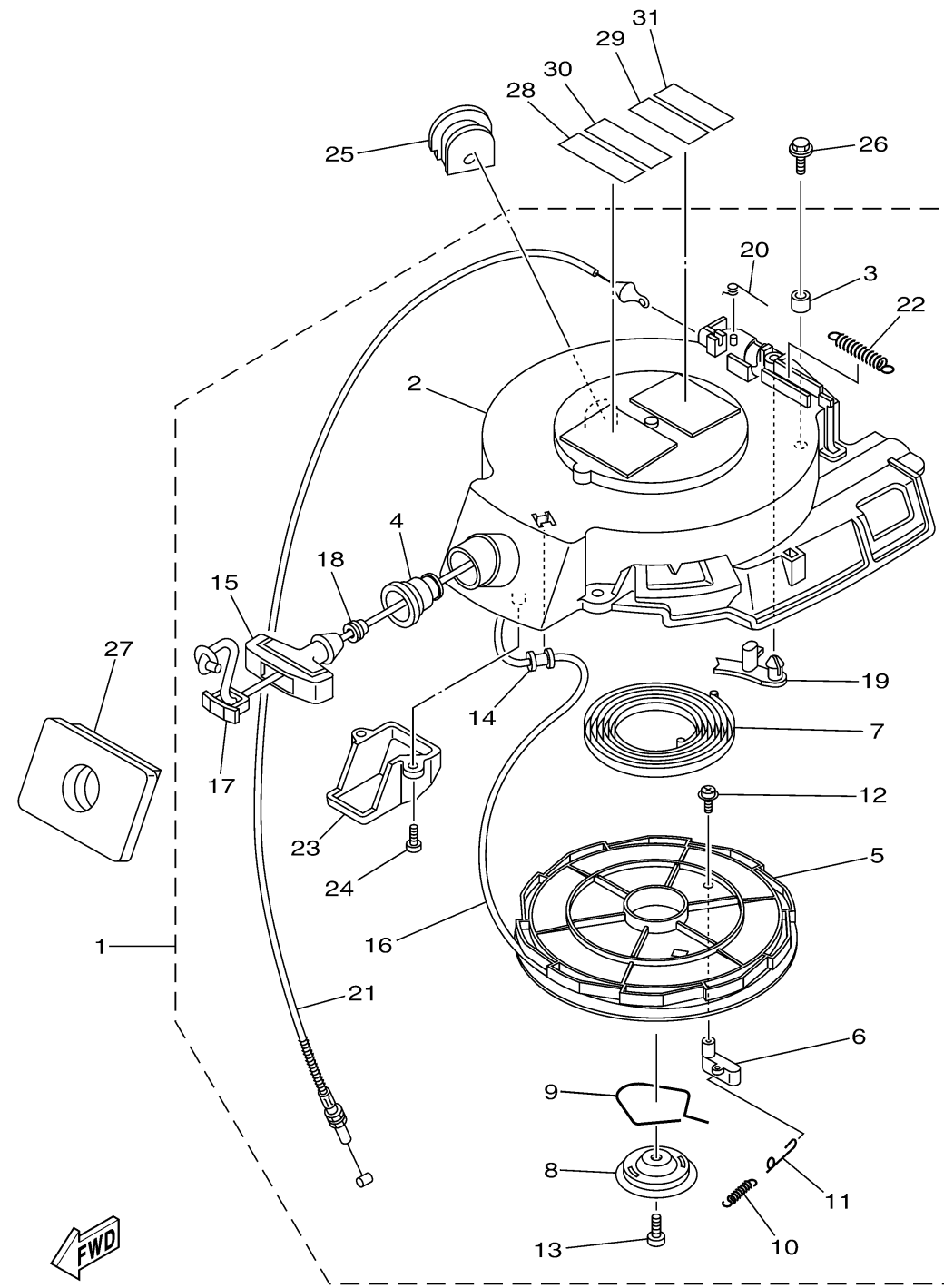
\*1: CUT FROM 50M ROLLS, PART NO. 90790-48194, CUTTING LENGTH 2.1M

Ref No.	Part Number	Description	Qty	Remarks
1	6BL-15710-01-00	STARTER ASSY	0	
2	6BL-15711-01-00	..CASE, STARTER	0	
3	6BL-15764-00-00	..COLLAR 1	0	
4	6AH-15795-00-00	..GUIDE, ROPE	0	
5	6BL-15714-00-00	..DRUM, SHEAVE	0	
6	6AH-15741-10-00	..PAWL, DRIVE	0	
7	66T-15713-00-00	..SPRING, STARTER	0	
8	66T-15716-00-00	..PLATE, DRIVE	0	
9	66T-15705-00-00	..SPRING, DRIVE PAWL	0	
10	66T-15767-00-00	..SPRING	0	
11	66T-15784-00-00	..SPRING, RETURN	0	
12	6BL-15793-00-00	..SCREW	0	
13	68T-15793-00-00	..SCREW	0	
14	6BL-15764-00-00	..COLLAR 1	0	
15	689-15755-01-00	..HANDLE, STARTER	0	
16	90790-48194-00	ROPE, STARTER	0	NOT AVAILABLE - OBTAIN LOCALLY, CUT TO 2.1M
17	6F5-15779-02-00	..COVER	0	
18	6A0-15789-00-00	..DAMPER	0	
19	68T-15794-00-00	..STOPPER	0	
20	66T-15734-00-00	..SPRING, RETURN	0	

CONTINUED ON NEXT FRAME >

# STARTER

Ref No.	Part Number	Description	Qty	Remarks
21	6BL-15770-00-00	. .CABLE COMP., STARTER STOP	0	
22	66T-15731-00-00	. .SPRING, RETURN	0	
23	6BL-15782-00-00	. .COVER, SHEAVE	0	
24	6AH-15793-00-00	. .SCREW	0	
25	6BL-15357-00-00	GROMMET	0	
26	95875-06020-00	BOLT, FLANGE	0	
27	6BL-15762-01-00	SEAL, RUBBER 2	0	
28	6EE-81994-40-00	LABEL, SAFETY	0	
29	6EE-81995-40-00	LABEL, WARNING	0	
30	6EE-81994-50-00	LABEL, SAFETY	0	
31	6EE-81995-50-00	LABEL, WARNING	0	



6BP9100-Q110

\*1: CUT FROM 50M ROLLS, PART NO. 90790-48194, CUTTING LENGTH 2.1M