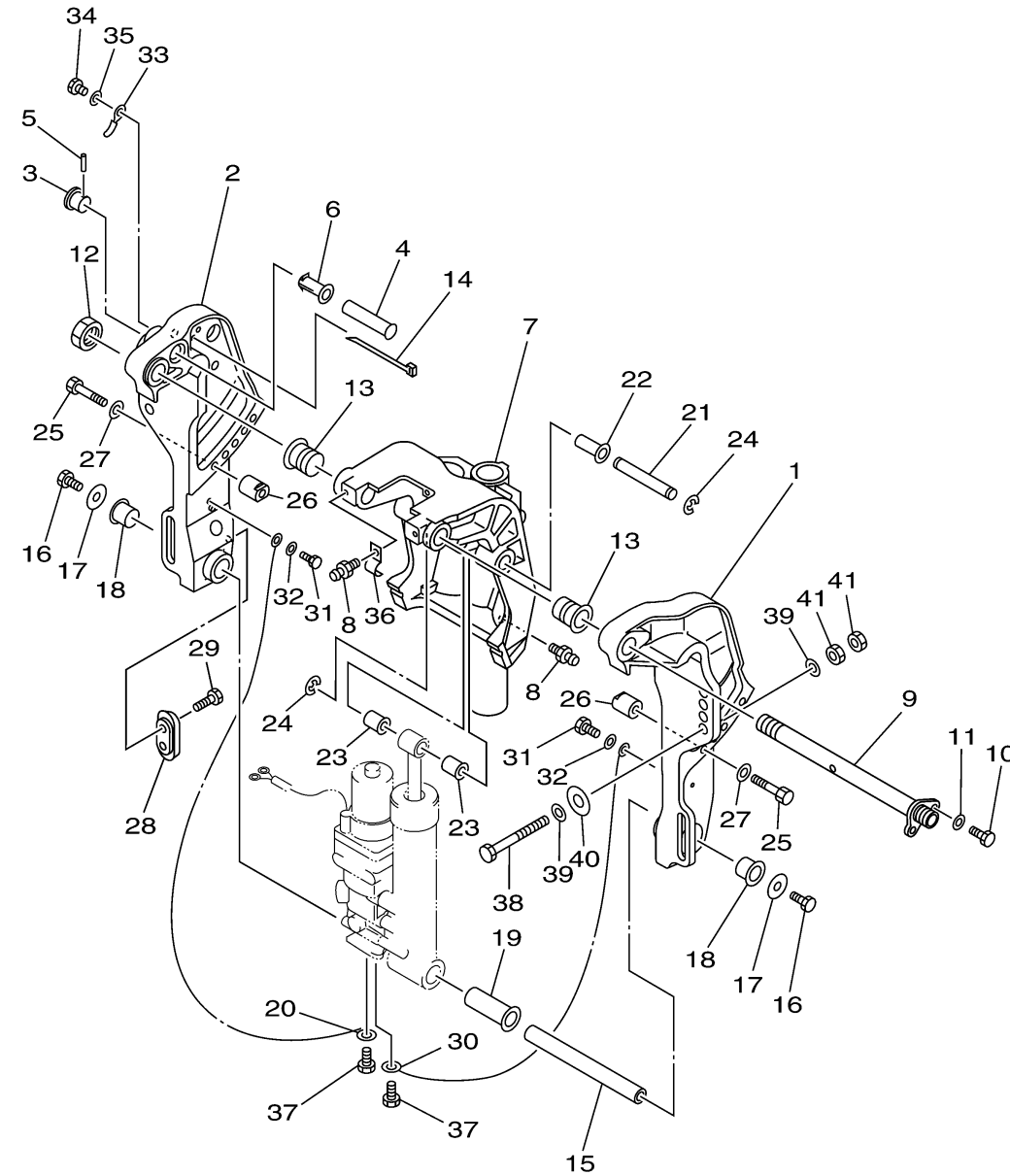


BRACKET 1

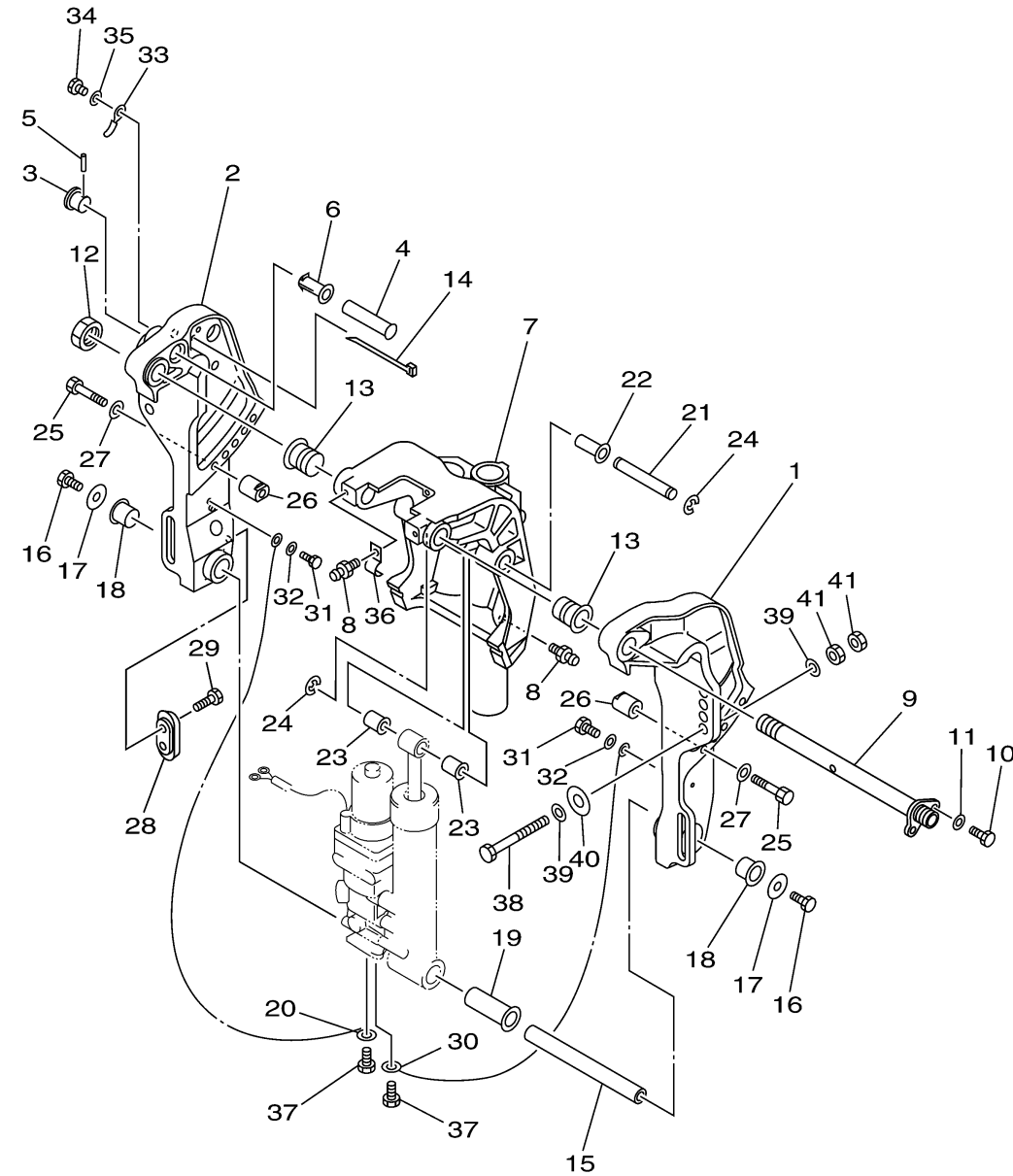


Ref No.	Part Number	Description	Qty	Remarks
1	6K9-43111-10-8D	BRACKET, CLAMP 1	1	
2	6BG-43112-10-8D	BRACKET, CLAMP 2	1	
3	65W-43192-00-00	KNOB, STOPPER	1	
4	65W-43191-00-00	SHAFT, STOPPER	1	
5	91690-30018-00	PIN, SPRING	1	
6	90386-14MA1-00	BUSH	1	
7	6BG-43311-10-8D	BRACKET, SWIVEL 1	1	L(21.1")
8	93700-06M03-00	NIPPLE, GREASE	3	
9	6K9-43131-01-00	BOLT, CLAMP BRACKET	1	
10	97095-08020-00	BOLT	1	
11	92995-08600-00	WASHER	1	
12	90185-22M11-00	NUT, SELF-LOCKING	1	
13	90386-22MA4-00	BUSH	2	
14	90465-13M11-00	CLAMP	2	
15	90249-18M35-00	PIN	1	
16	97080-08016-00	BOLT	2	
17	90201-08M00-00	WASHER, PLATE	2	
18	90386-18M44-00	BUSH	2	
19	90386-18MA0-00	BUSH	1	
20	6H1-82148-00-00	WIRE, LEAD 4	1	

CONTINUED ON NEXT FRAME >


6BG1110-H260

BRACKET 1



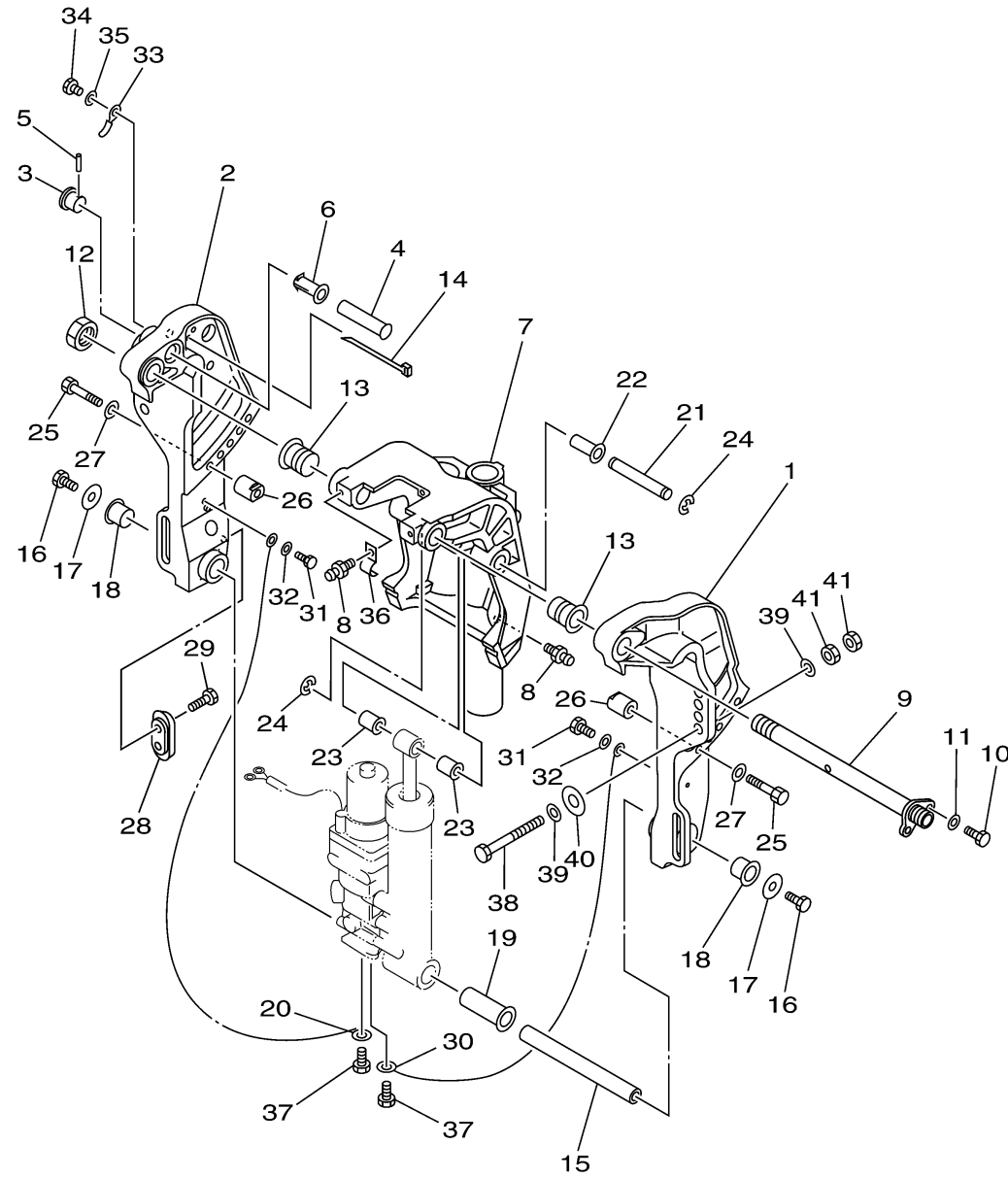
Ref No.	Part Number	Description	Qty	Remarks
21	90249-12M38-00	PIN	1	
22	90381-12M10-00	BUSH, SOLID	1	
23	90381-12M11-00	BUSH, SOLID	2	
24	99080-10600-00	CIRCLIP	2	
25	97095-10050-00	BOLT	2	
26	6BG-43654-00-00	NUT 1	2	
27	92995-10600-00	WASHER	2	
28	65W-45251-00-00	ANODE	1	
29	90101-06020-00	BOLT	2	
30	6U0-82127-00-00	WIRE, LEAD 2	1	
31	97095-06014-00	BOLT	2	
32	92995-06600-00	WASHER	2	
33	90465-10M77-00	CLAMP	1	
34	97095-06014-00	BOLT	1	
35	92995-06600-00	WASHER	1	
36	90465-08M63-00	CLAMP	1	
37	97085-06010-00	BOLT	2	
38	90101-12M65-00	BOLT	4	
39	90201-12062-00	WASHER, PLATE	8	
40	90201-12426-00	WASHER, PLATE	4	

CONTINUED ON NEXT FRAME >


6BG1110-H260

BRACKET 1

Ref No.	Part Number	Description	Qty	Remarks
41	95380-12600-00	NUT	8	



6BG1110-H260