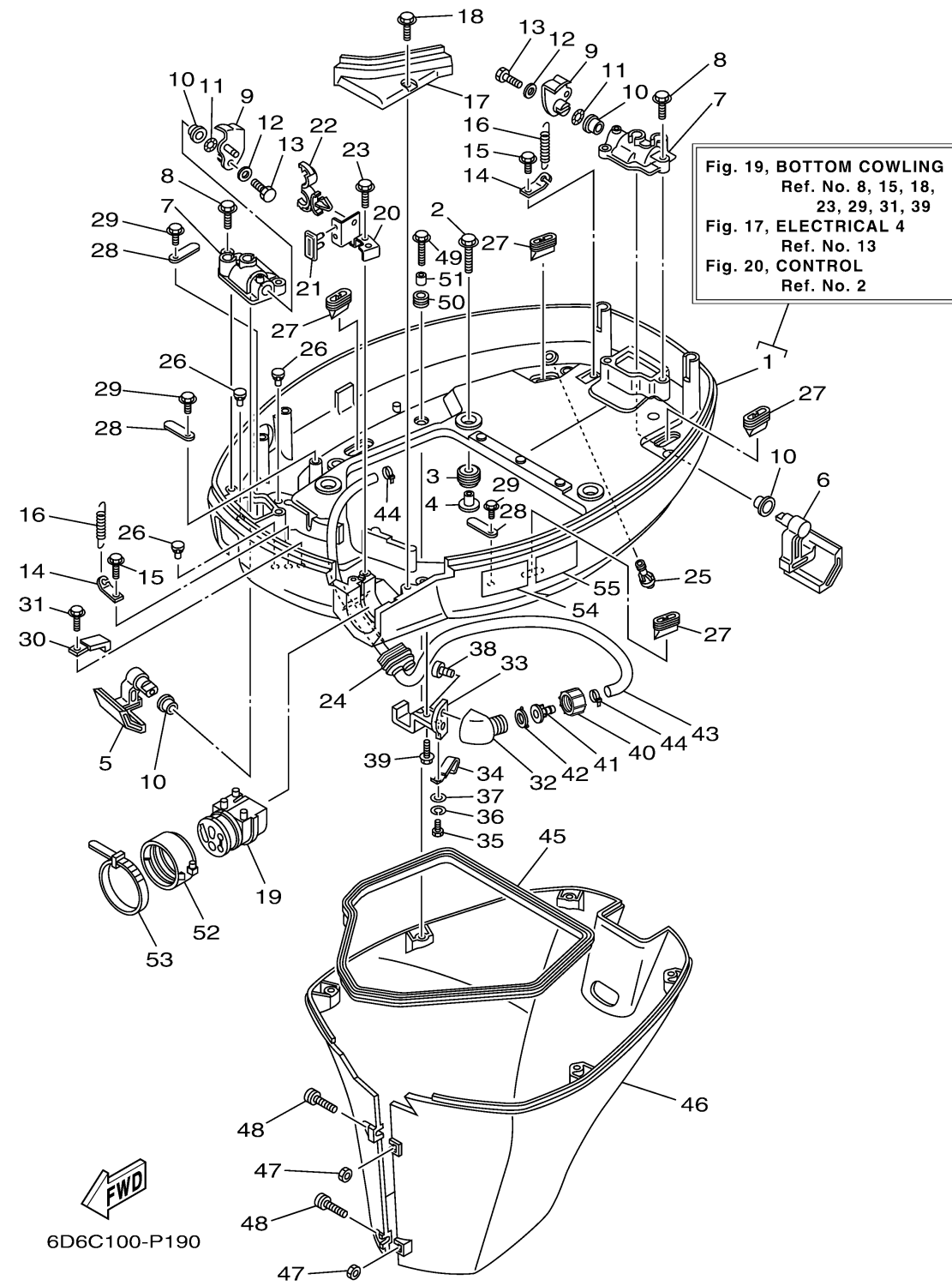


BOTTOM COWLING



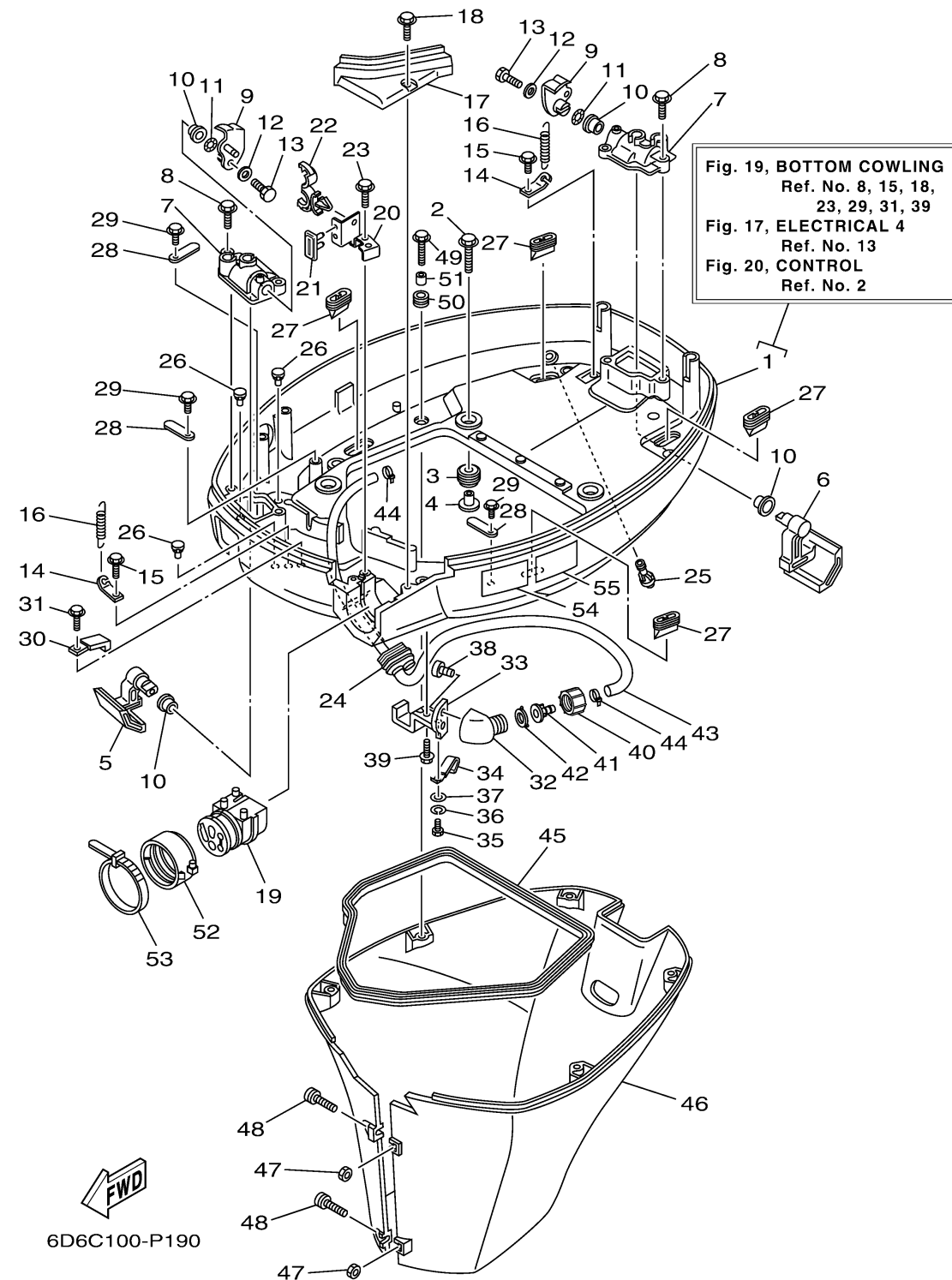
Ref No.	Part Number	Description	Qty	Remarks
1	6D8-42710-00-8D	BOTTOM COWLING ASSY	1	
2	90119-08M22-00	BOLT, WITH WASHER	4	
3	90480-22M15-00	GROMMET	4	
4	90387-08M37-00	COLLAR	4	
5	67F-42815-00-8D	LEVER, CLAMP 1	1	
6	67F-42816-00-8D	LEVER, CLAMP 2	1	
7	67F-42828-00-9S	PLATE, CLAMP	2	
8	90109-06M82-00	BOLT	4	
9	68V-42818-01-00	LEVER, CLAMP 4	2	
10	90386-15M73-00	BUSH	4	
11	90206-15M18-00	WASHER, WAVE	2	
12	90201-06068-00	WASHER, PLATE	2	
13	97095-06016-00	BOLT	2	
14	64D-43144-00-00	HOOK, SPRING	2	
15	90109-06M86-00	BOLT	2	
16	90506-16M34-00	SPRING, TENSION	2	
17	67F-42738-00-8D	PLATE, FITTING	1	
18	90109-06M96-00	BOLT	2	
19	68V-42725-00-00	GROMMET	1	
20	6D8-42756-02-00	STAY, CLAMP	1	

CONTINUED ON NEXT FRAME >

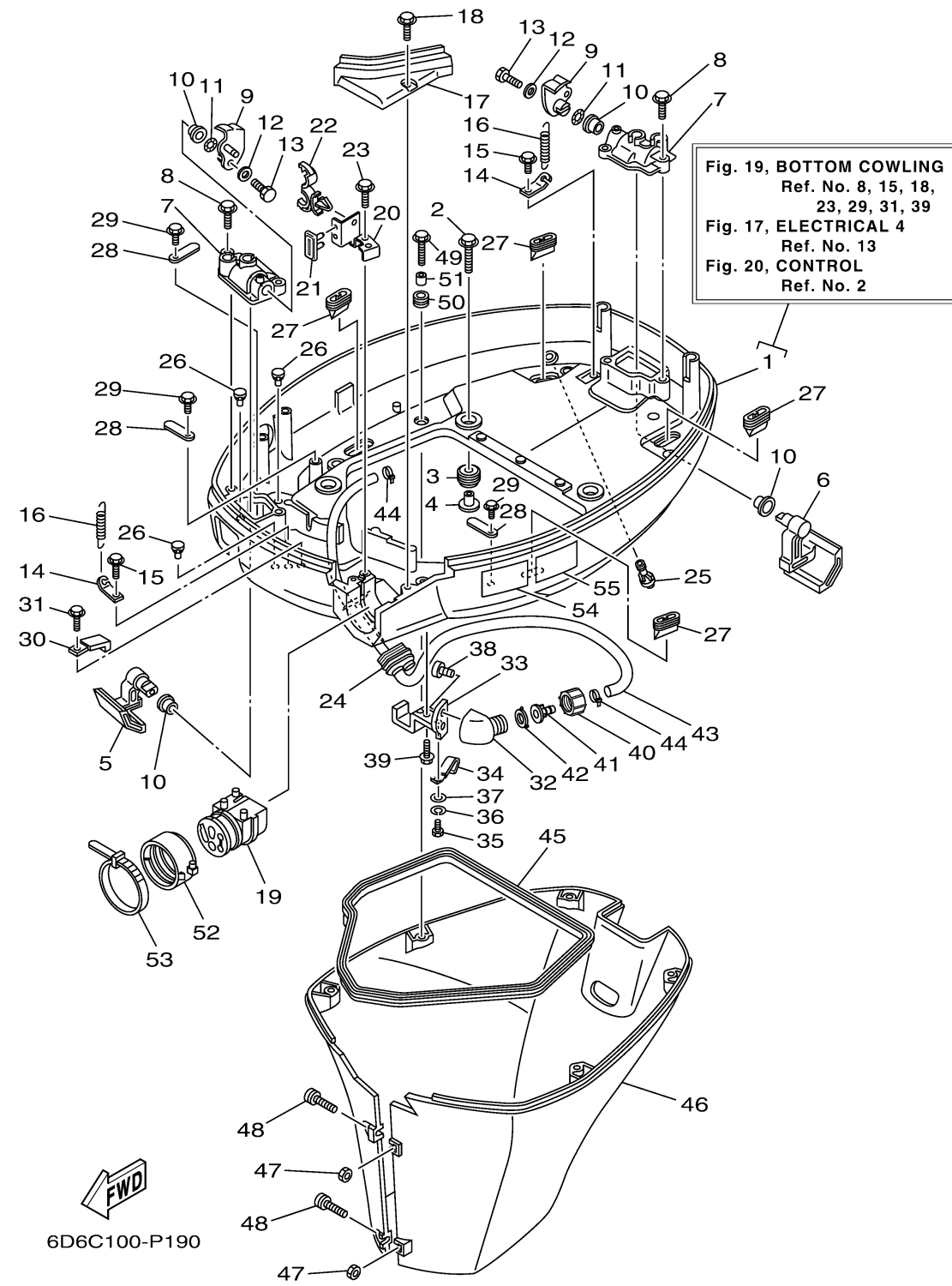
BOTTOM COWLING

Ref No.	Part Number	Description	Qty	Remarks
21	6D8-42717-00-00	RUBBER, SEAL 2	1	
22	90464-18246-00	CLAMP	1	
23	90109-06M86-00	BOLT	1	
24	6H1-42726-21-00	GROMMET	1	FLUSHING KIT
25	6BL-44391-00-00	NIPPLE, HOSE	1	
26	6H4-42748-00-00	GROMMET	3	
27	67F-42717-00-00	RUBBER, SEAL 2	4	
28	6E5-82588-00-00	PLATE	3	
29	90109-06M81-00	BOLT	3	
30	90465-08M23-00	CLAMP	1	
31	90109-06M86-00	BOLT	1	
32	6DR-12572-00-00	ADAPTER	1	FLUSHING KIT
33	67F-12535-01-00	PLATE	1	FLUSHING KIT
34	90462-06018-00	CLAMP	1	FLUSHING KIT
35	97095-06008-00	BOLT	1	FLUSHING KIT
36	92995-06100-00	WASHER, SPRING	1	FLUSHING KIT
37	92995-06200-00	WASHER	1	FLUSHING KIT
38	90167-06002-00	SCREW, TAPPING	2	FLUSHING KIT
39	90109-06M86-00	BOLT	1	FLUSHING KIT
40	6R3-12581-00-00	JOINT, HOSE 1	1	FLUSHING KIT

CONTINUED ON NEXT FRAME >



BOTTOM COWLING



Ref No.	Part Number	Description	Qty	Remarks
41	6R3-12582-00-00	JOINT, HOSE 2	1	FLUSHING KIT
42	6R3-12583-00-00	GASKET, HOSE JOINT	1	FLUSHING KIT
43	67F-24312-00-00	PIPE 2	1	FLUSHING KIT
44	90465-11M10-00	CLAMP	2	FLUSHING KIT
45	61A-42716-00-00	RUBBER SEAL 1	1	
46	67F-42741-01-8D	APRON	1	
47	95380-06600-00	NUT, HEXAGON	2	
48	90159-06M28-00	SCREW, WITH WASHER	2	
49	90109-06M80-00	BOLT	5	
50	90480-13M24-00	GROMMET	5	
51	90387-06M43-00	COLLAR	5	
52	68F-42753-00-00	FASTNER	1	AP
53	90464-20258-00	CLAMP	1	AP
54	6EE-42794-40-00	LABEL, WARNING (GENERAL)	1	
55	6EE-42794-50-00	LABEL, WARNING (GENERAL)	1	