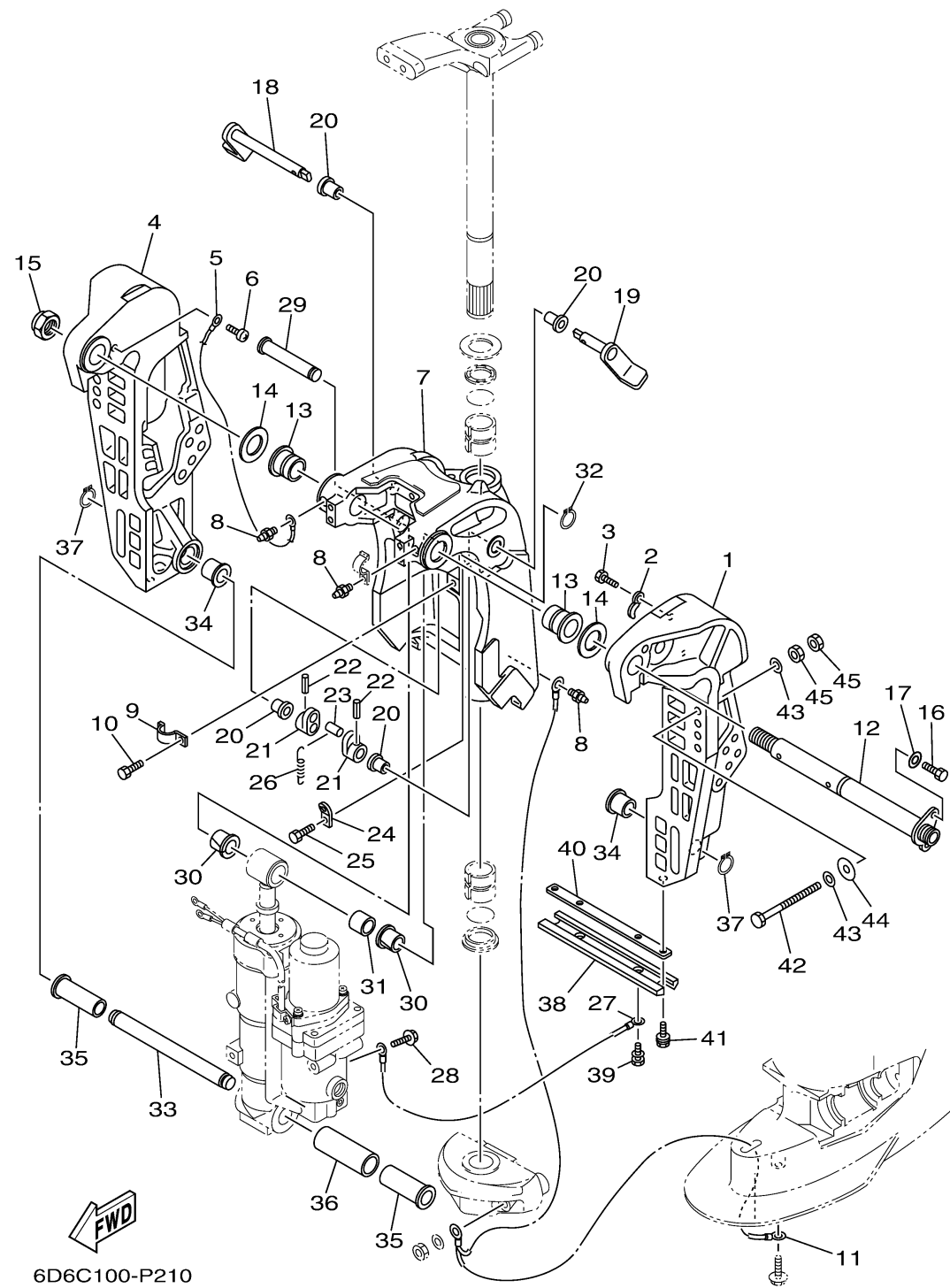


# BRACKET 1

Ref No.	Part Number	Description	Qty	Remarks
1	67F-43111-00-8D	BRACKET, CLAMP 1	1	
2	90465-10M77-00	CLAMP	2	
3	97095-06010-00	BOLT	2	
4	67F-43112-00-8D	BRACKET, CLAMP 2	1	
5	6E5-82148-00-00	WIRE, LEAD 4	1	
6	97880-06012-00	SCREW, PAN HEAD	1	
7	6D8-43311-01-8D	BRACKET, SWIVEL 1	1	
8	93700-06M03-00	NIPPLE, GREASE	3	
9	90465-08M63-00	CLAMP	1	
10	97095-06010-00	BOLT	1	
11	67F-82127-00-00	WIRE, LEAD 2	1	
12	64E-43131-30-00	BOLT, CLAMP BRACKET	1	FOR TILT LIMIT
13	90386-25M31-00	BUSH	2	
14	90201-26M59-00	WASHER, PLATE	2	
15	90185-22M11-00	NUT, SELF-LOCKING	1	
16	97095-08020-00	BOLT	1	
17	92995-08600-00	WASHER	1	
18	6D8-43181-00-00	LEVER, TILT STOP 1	1	
19	6D8-43185-00-00	LEVER, TILT STOP 2	1	
20	90386-10M16-00	BUSH	4	

CONTINUED ON NEXT FRAME >



# BRACKET 1

Ref No.	Part Number	Description	Qty	Remarks
21	6G5-43148-00-00	COLLAR, DISTANCE	2	
22	91690-30020-00	PIN, SPRING	2	
23	90249-06M19-00	PIN	1	
24	66T-43144-00-00	HOOK, SPRING	1	
25	97095-06010-00	BOLT	1	
26	90506-14M24-00	SPRING, TENSION	1	
27	6D8-82148-00-00	WIRE, LEAD 4	1	
28	97595-06510-00	BOLT, WITH WASHER	1	
29	6D8-43126-00-00	PIN, UPPER SHOCK MOUNT	1	
30	90386-18M35-00	BUSH	2	
31	90386-18001-00	BUSH	1	
32	93410-18M05-00	CIRCLIP	1	
33	67F-43818-00-00	PIN, LOWER SHOCK MOUNT	1	
34	90387-18M01-00	COLLAR	2	
35	90386-18MA0-00	BUSH	2	
36	90387-22M01-00	COLLAR	1	
37	93410-18M05-00	CIRCLIP	2	
38	6H1-45251-03-00	ANODE	1	
39	90119-06M81-00	BOLT, WITH WASHER	2	
40	6EK-44536-00-00	PLATE 2	1	

CONTINUED ON NEXT FRAME >

# BRACKET 1

Ref No.	Part Number	Description	Qty	Remarks
41	97595-06616-00	BOLT, WITH WASHER	2	
42	90101-12M03-00	BOLT (L:115MM)	4	
43	90201-13M01-00	WASHER, PLATE	8	
44	90201-12426-00	WASHER, PLATE	4	
45	95380-12600-00	NUT	8	

