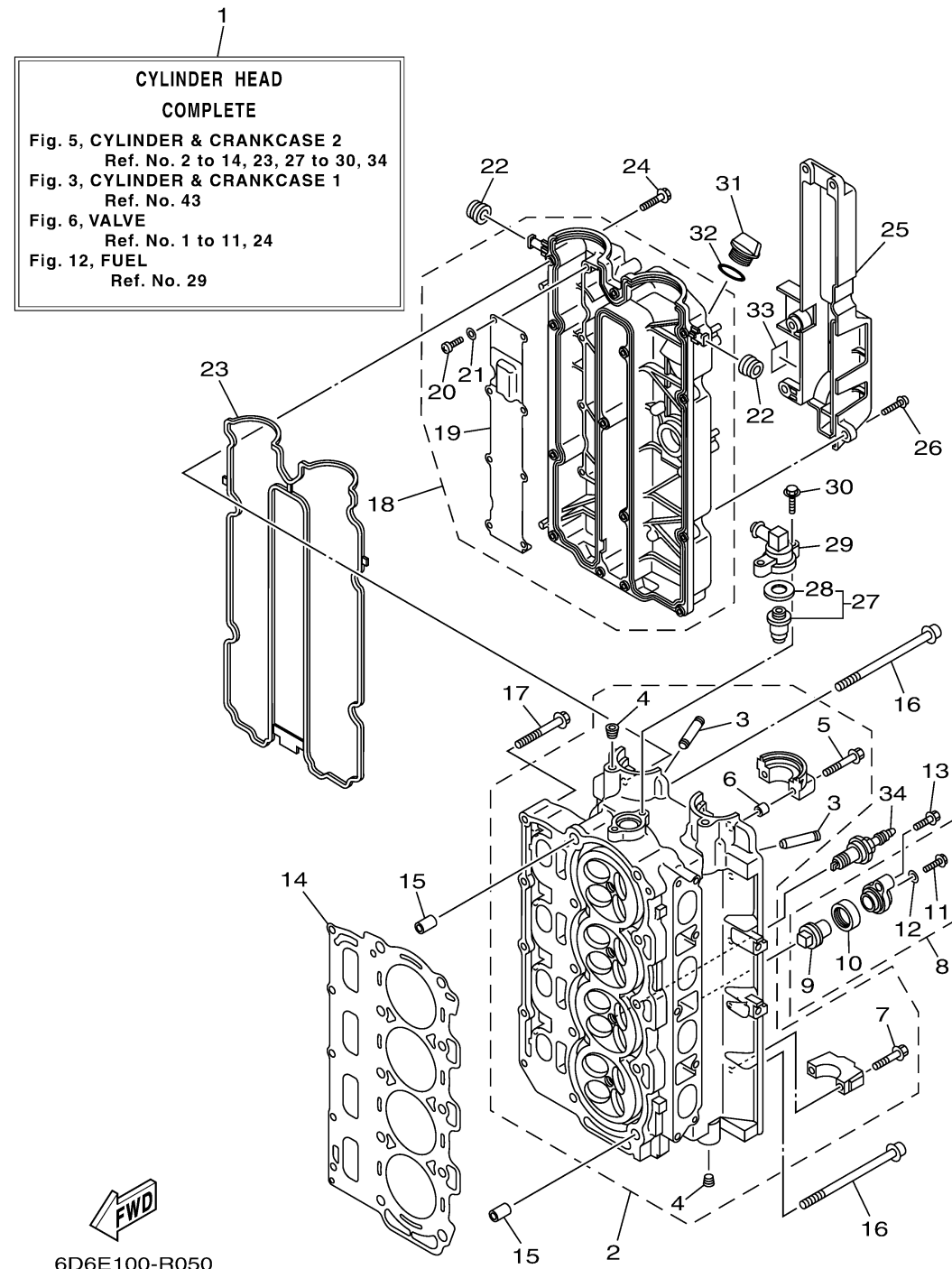


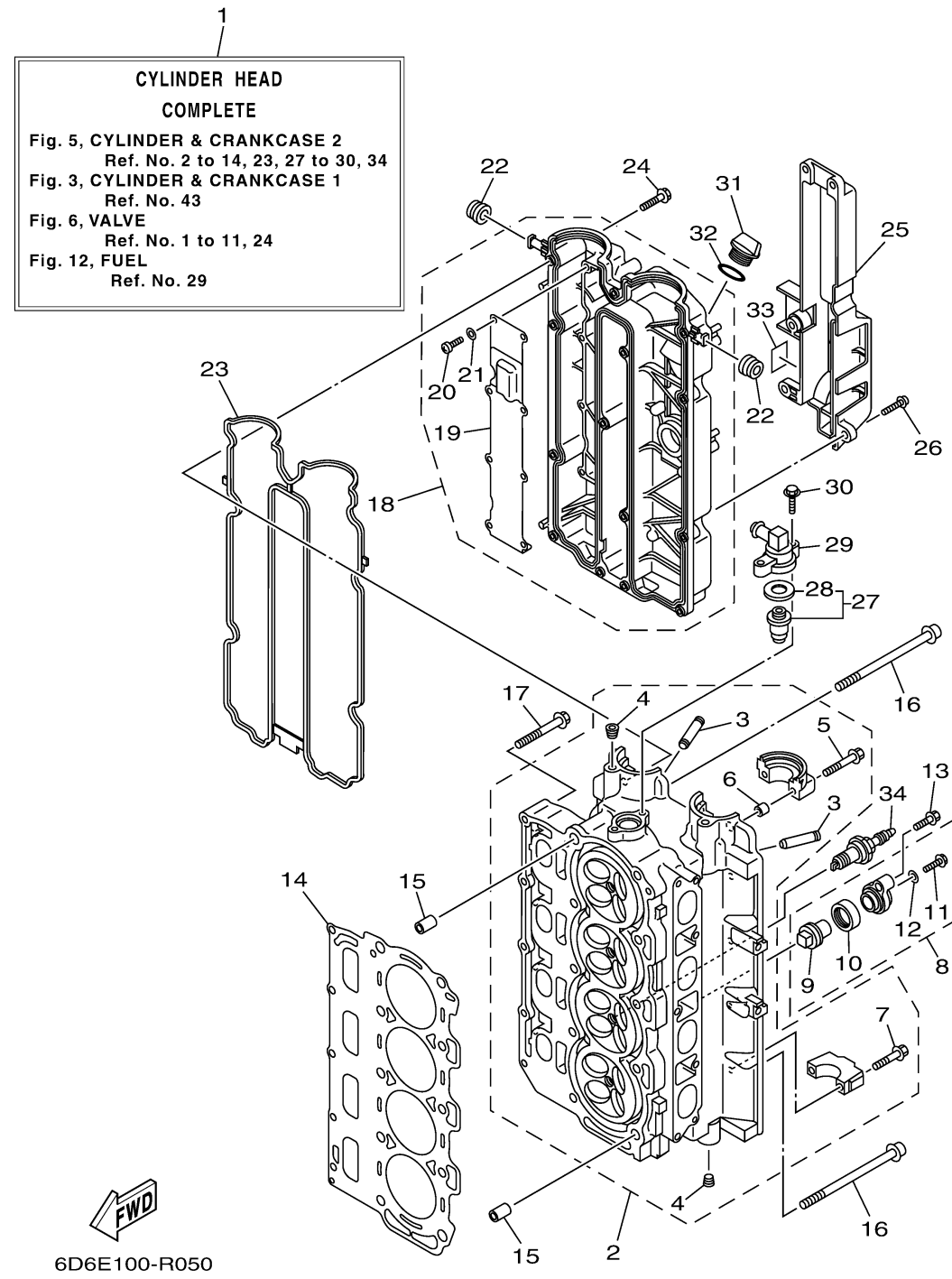
# CYLINDER CRANKCASE 2



Ref No.	Part Number	Description	Qty	Remarks
1	6D8-W009A-04-9S	CYLINDER HEAD COMPLETE	1	
2	6D8-11110-20-9S	CYLINDER HEAD ASSY	1	
3	67F-11133-10-00	..GUIDE, VALVE 1	16	
4	90344-51019-00	..PLUG, TAPER SCREW	4	
5	90119-07235-00	..BOLT/WASHER-CAM CAPS	4	
6	91809-08006-00	..PIN, DOWEL	4	
7	90119-07234-00	..BOLT, WITH WASHER	16	
8	69J-11301-00-00	ANODE COVER ASSY	2	
9	67F-11325-01-00	..ANODE	1	
10	67F-11328-00-00	..GROMMET, ANODE	1	
11	90105-06M07-00	..BOLT, FLANGE	1	
12	90430-06M03-00	..GASKET	1	
13	97575-08540-00	BOLT, WITH WASHER	2	
14	67F-11181-03-00	..GASKET, CYLINDER HEAD 1	1	
15	99530-14016-00	PIN, DOWEL	2	
16	90155-10005-00	SCREW, FLAT FILLISTER	10	
17	90119-08M91-00	BOLT, WITH WASHER	5	
18	6D8-11191-01-9S	COVER, CYLINDER HEAD 1	1	
19	67F-11168-00-00	..COVER, BREATHER	1	
20	98507-04008-00	..SCREW, PAN HEAD	8	

CONTINUED ON NEXT FRAME >

# CYLINDER CRANKCASE 2



Ref No.	Part Number	Description	Qty	Remarks
21	92907-04600-00	. .WASHER	8	
22	90480-12072-00	GROMMET	2	
23	6D8-11356-01-00	.SEAL, CYLINDER 2	1	
24	97595-06530-00	BOLT, WITH WASHER	14	
25	67F-11192-01-00	COVER, CYLINDER HEAD 2	1	
26	90119-06M79-00	BOLT, WITH WASHER	5	
27	67F-12411-01-00	THERMOSTAT	1	
28	67F-12412-00-00	. .SEAL, THERMOSTAT	1	
29	68V-12413-00-9S	COVER, THERMOSTAT	1	
30	97595-06525-00	BOLT, WITH WASHER	2	
31	6G8-15363-00-00	PLUG, OIL	1	
32	93210-24M79-00	.O-RING	1	
33	6D8-83626-00-00	MARK 6	1	
34	LFR-5A110-00-00	PLUG, SPARK (NGK LFR5A-11)	4	