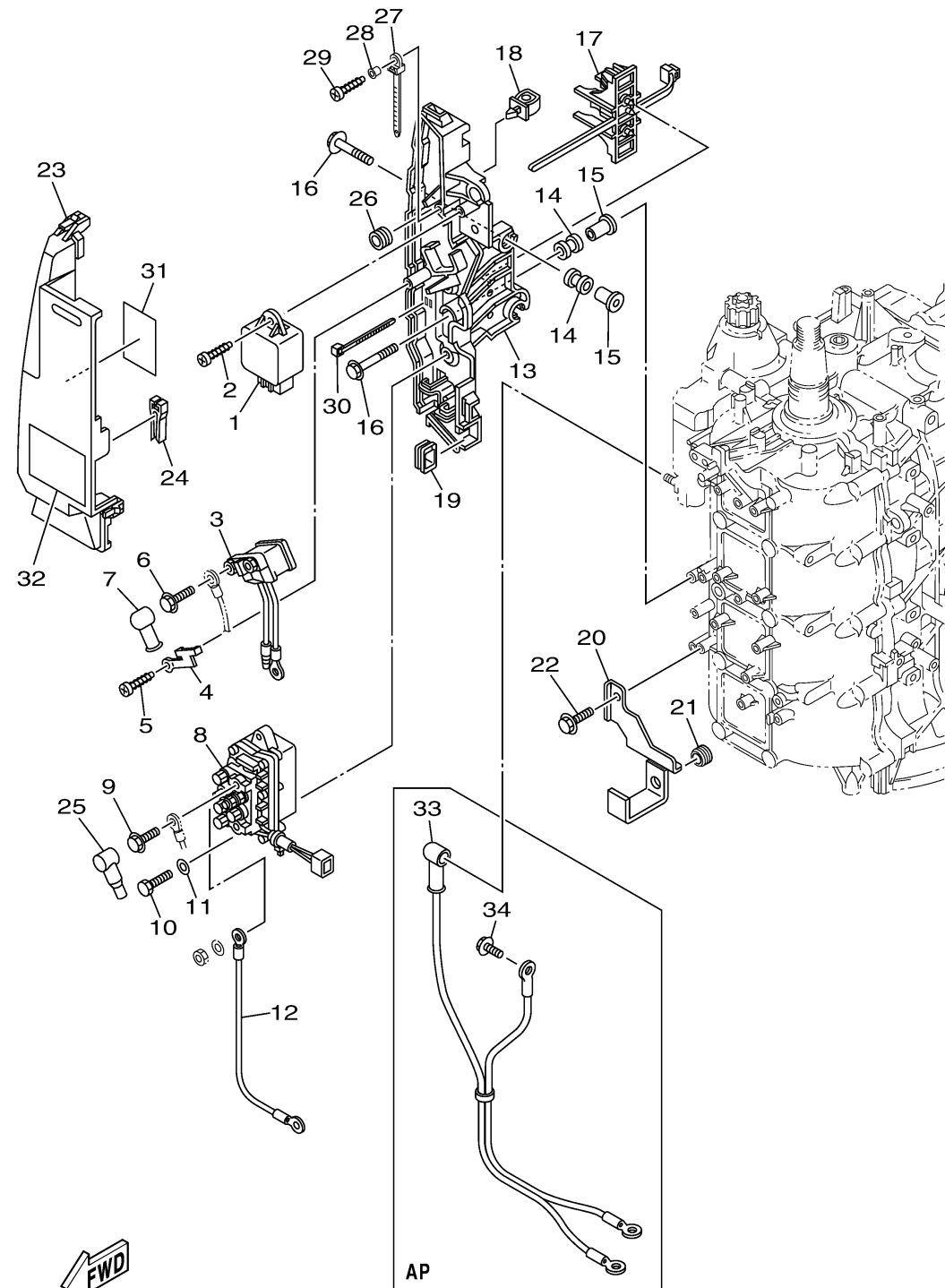


## ELECTRICAL 2

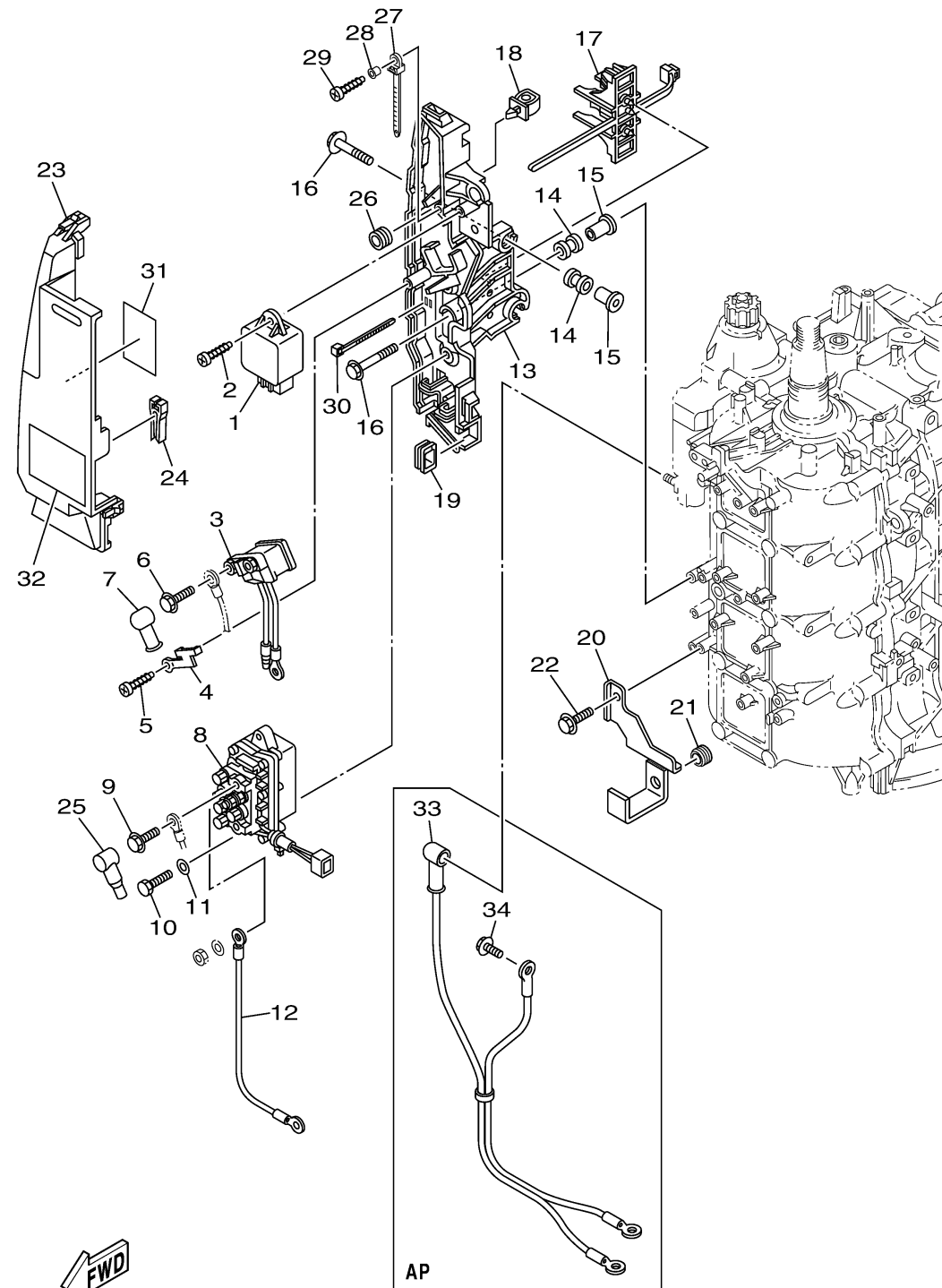
Ref No.	Part Number	Description	Qty	Remarks
1	60E-81950-00-00	RELAY ASSY	1	
2	97780-60625-00	SCREW, TAPPING	1	
3	68V-8194A-00-00	RELAY	1	
4	68V-81953-00-00	STAY, RELAY	1	
5	97780-60620-00	SCREW, TAPPING	1	
6	97595-06610-00	BOLT, WITH WASHER	2	
7	6G5-82119-00-00	COVER, LEAD WIRE	2	
8	63P-81950-00-00	RELAY ASSY	1	
9	97595-06610-00	BOLT, WITH WASHER	2	
10	97013-06020-00	BOLT	2	
11	92903-06600-00	WASHER, PLATE	2	
12	61A-81949-00-00	WIRE, LEAD	1	
13	68V-81948-03-00	BRACKET	1	
14	6A0-82317-00-00	DAMPER, IGNITION COIL	5	
15	90387-06119-00	COLLAR	5	
16	90119-06M59-00	BOLT, WITH WASHER	5	
17	68V-82594-00-00	CLAMP	1	
18	90464-12M58-00	CLAMP	1	
19	6D8-81518-00-00	GROMMET	1	
20	6D8-81528-02-00	CLAMP 1	1	

CONTINUED ON NEXT FRAME >



6D6C100-P150

## ELECTRICAL 2



6D6C100-P150

Ref No.	Part Number	Description	Qty	Remarks
21	90480-13M24-00	GROMMET	1	
22	97595-06514-00	BOLT, WITH WASHER	1	
23	68V-81942-03-00	COVER	1	
24	67F-2812A-00-00	PULLER, FUSE	1	
25	682-82119-01-00	COVER, LEAD WIRE	2	
26	6A0-82317-00-00	DAMPER, IGNITION COIL	1	
27	90465-12M53-00	CLAMP	1	
28	90387-06M05-00	COLLAR	1	
29	97780-60625-00	SCREW, TAPPING	1	
30	90465-13M18-00	CLAMP	2	
31	6D8-81919-00-00	GRAPHIC, REGULATOR	1	
32	6D8-81919-10-00	GRAPHIC, REGULATOR	1	
33	68V-82105-01-00	BATTERY CABLE	1	AP
34	90105-06M14-00	BOLT FLANGE	1	AP