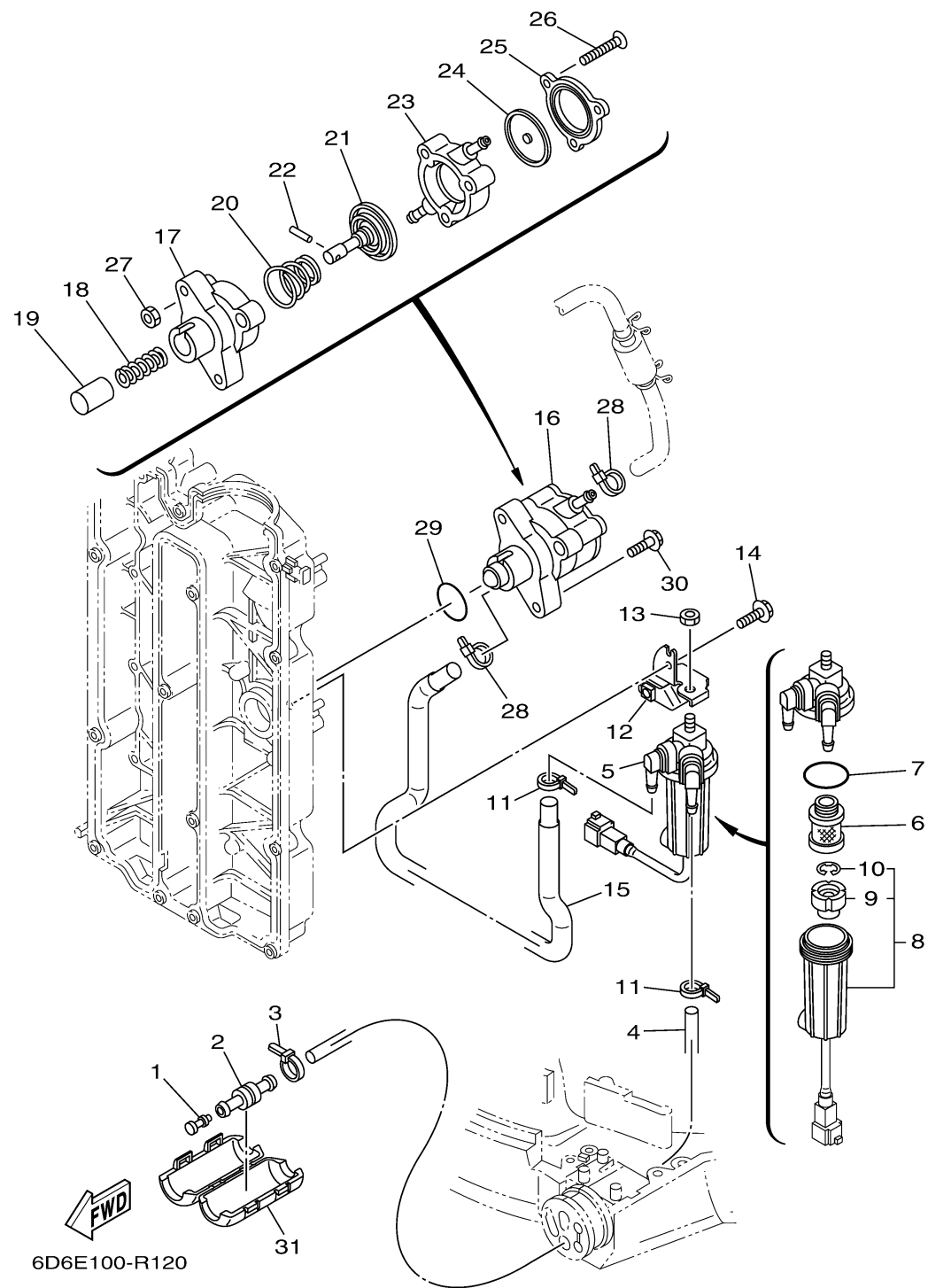


# FUEL

Ref No.	Part Number	Description	Qty	Remarks
1	689-85547-00-00	DAMPER	1	
2	6R3-24377-10-00	PIPE, JOINT 2	1	
3	90465-11M10-00	CLAMP	1	
4	90445-13025-00	HOSE (L1300)	1	
5	6D8-24560-01-00	FILTER ASSY	1	
6	6D8-24563-00-00	..ELEMENT, FILTER	1	
7	6D8-24564-00-00	..GASKET	1	
8	6D8-24562-00-00	..CUP, FILTER	1	
9	6D8-24469-00-00	...FLOAT, WATER LEVEL	1	
10	6D8-24519-00-00	...CLIP	1	
11	90465-11M10-00	CLAMP	2	
12	6D8-24566-00-00	BRACKET, FILTER	1	
13	95380-08600-00	NUT	1	
14	97595-06516-00	BOLT, WITH WASHER	1	
15	6D8-24311-10-00	PIPE, FUEL 1	1	
16	6D8-24410-10-00	FUEL PUMP ASSY	1	
17	68V-24412-00-00	..BODY 1	1	
18	68V-24454-00-00	..SPRING	1	
19	63P-13131-00-00	..PLUNGER	1	
20	68V-24423-00-00	..SPRING, DIAPHRAGM	1	

CONTINUED ON NEXT FRAME >



## FUEL

Ref No.	Part Number	Description	Qty	Remarks
21	68V-24411-00-00	..DIAPHRAGM	1	
22	68V-24374-00-00	..PIN	1	
23	68V-24413-10-00	..BODY 2	1	
24	68V-24471-10-00	..DIAPHRAGM	1	
25	6D8-24414-00-00	..BODY 3	1	
26	68V-24444-00-00	..SCREW	3	
27	68V-24149-00-00	..NUT	3	
28	90465-11M10-00	CLAMP	2	
29	93210-30682-00	.O-RING	1	
30	90119-06M83-00	BOLT, WITH WASHER	2	
31	68V-24452-00-00	COVER	1	