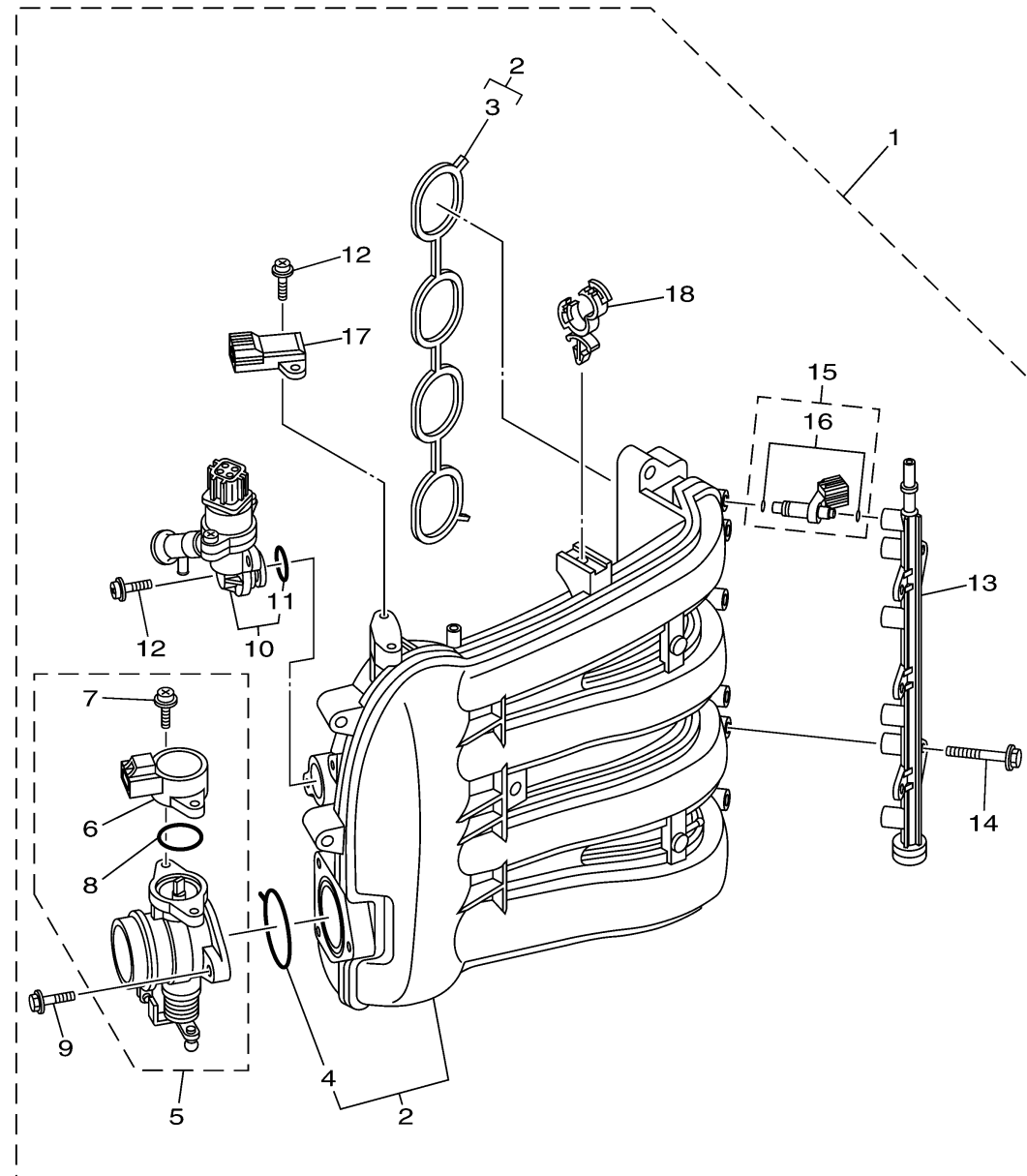


# INTAKE 1

| Ref No. | Part Number     | Description             | Qty | Remarks |
|---------|-----------------|-------------------------|-----|---------|
| 1       | 6D8-14200-00-00 | INTAKE ASSY             | 1   |         |
| 2       | 6D8-13641-00-00 | ..MANIFOLD, INTAKE 1    | 1   |         |
| 3       | 6D8-13645-00-00 | ...GASKET, MANIFOLD 1   | 1   |         |
| 4       | 6D8-13557-00-00 | ...GASKET               | 1   |         |
| 5       | 6D8-13750-00-00 | ..THROTTLE BODY ASSY    | 1   |         |
| 6       | 6C5-85885-00-00 | ...THROTTLE SENSOR ASSY | 1   |         |
| 7       | 6C5-81145-00-00 | ...SCREW 1              | 2   |         |
| 8       | 6C5-8182L-00-00 | ...O-RING 1             | 1   |         |
| 9       | 6C5-14496-00-00 | ..BOLT                  | 3   |         |
| 10      | 6D8-13105-01-00 | ..CONTROL VALVE ASSY    | 1   |         |
| 11      | 6C5-1319C-00-00 | ...O-RING               | 1   |         |
| 12      | 6C5-81146-10-00 | ..SCREW 2               | 4   |         |
| 13      | 6D8-13161-00-00 | ..PIPE, DELIVERY 1      | 1   |         |
| 14      | 6C5-14446-00-00 | ..BOLT                  | 2   |         |
| 15      | 6D8-13761-00-00 | ..INJECTOR              | 4   |         |
| 16      | 6C5-1410B-00-00 | ...PACKING KIT          | 1   |         |
| 17      | 68F-83688-00-00 | ..SENSOR ASSY           | 1   |         |
| 18      | 90464-18246-00  | ..CLAMP                 | 1   |         |



6D81100-D060