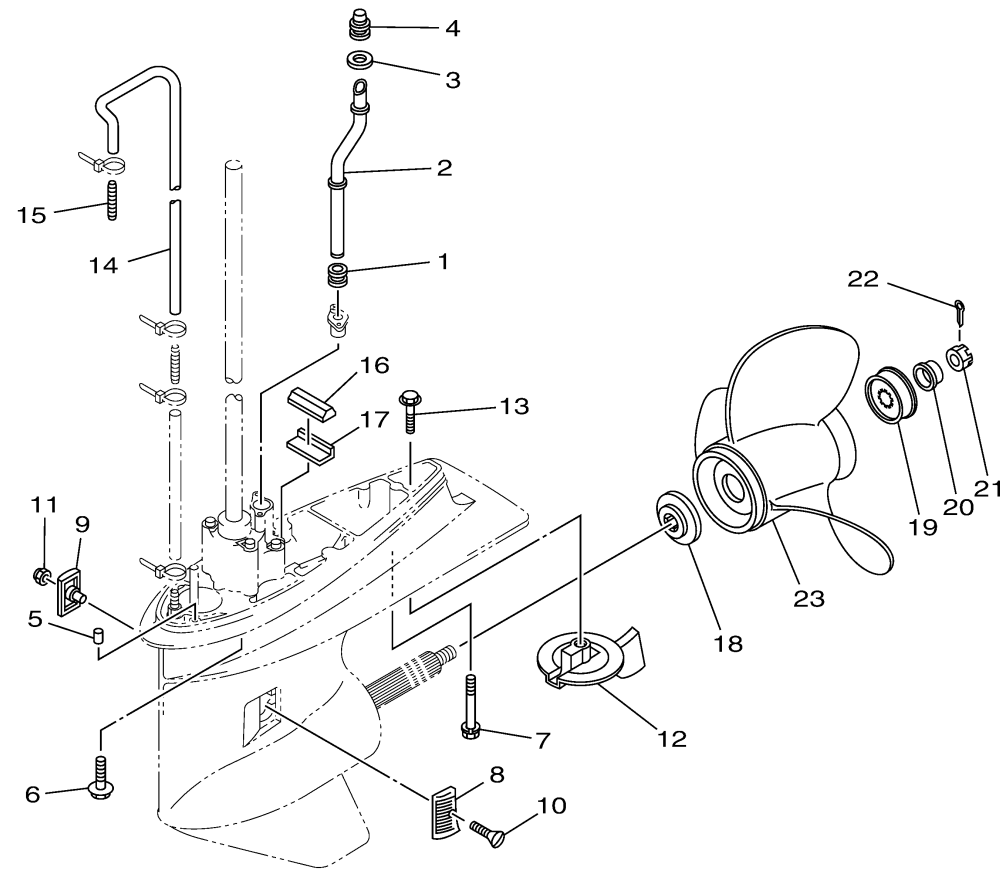


## LOWER CASING DRIVE 2

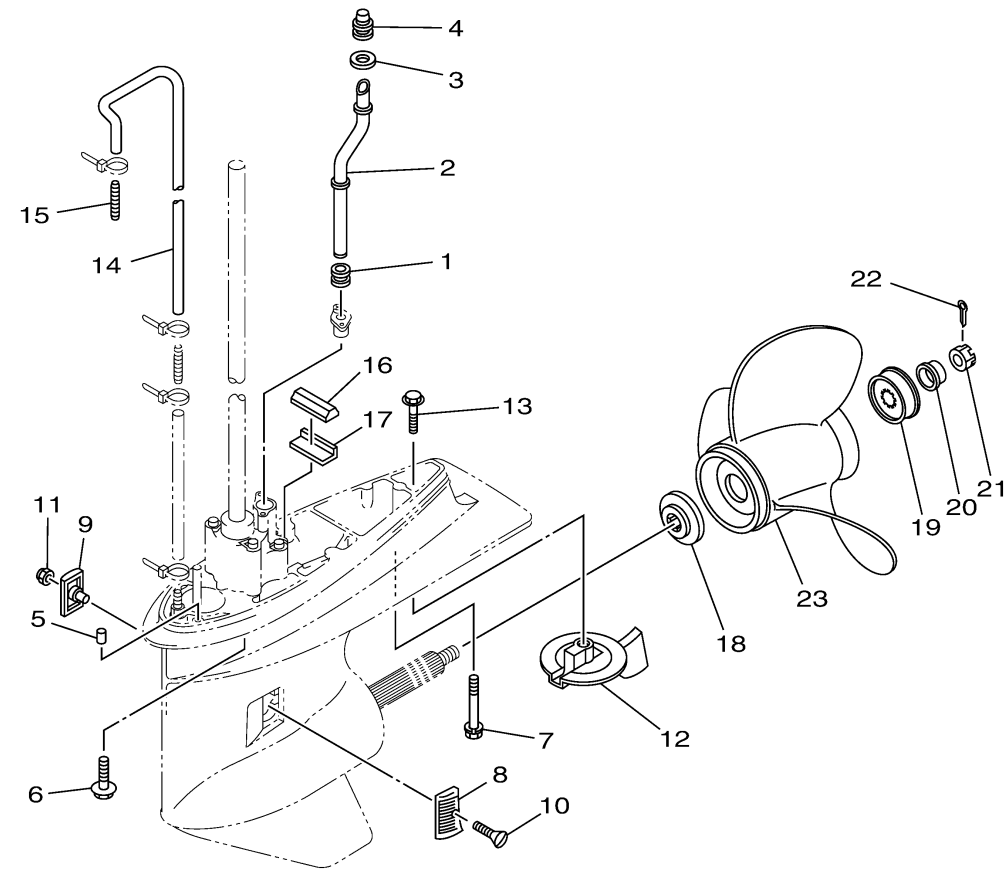
Ref No.	Part Number	Description	Qty	Remarks
1	663-44367-00-00	DAMPER, WATER SEAL 3	1	
2	6D8-44361-00-00	TUBE, WATER 1	1	L(21.1")
3	6D8-44314-00-00	SPACER	1	
4	67F-44365-00-00	DAMPER, WATER SEAL 1	1	
5	93606-12019-00	.PIN, DOWEL	2	
6	90119-10068-00	BOLT, WITH WASHER	4	L(21.1")
7	90119-08M84-00	BOLT, WITH WASHER	1	L(21.1")
8	6H1-45214-00-00	COVER, WATER INLET 1	1	
9	6H1-45215-00-00	COVER, WATER INLET 2	1	
10	90151-05M00-00	SCREW, COUNTERSUNK	1	
11	90185-05002-00	.NUT, NYLON	1	
12	67F-45371-00-00	TAB-TRIM	1	
13	90105-10M67-00	BOLT, FLANGE	1	
14	90445-07ME0-00	HOSE (L1220)	1	
15	6E5-83558-00-00	END, NIPPLE	1	
16	688-45375-00-00	DAMPER, SEAL	1	
17	663-45376-00-00	GUIDE, SEAL DAMPER	1	
18	688-45987-01-00	SPACER 1	1	
19	67F-45997-00-00	SPACER 2	1	
20	90389-25M00-00	BUSH	1	

CONTINUED ON NEXT FRAME >



6D6E100-R280

## LOWER CASING DRIVE 2



  
6D6E100-R280

Ref No.	Part Number	Description	Qty	Remarks
21	90171-16011-00	NUT, CASTLE	1	
22	91490-40030-00	PIN. COTTER	1	
23	6E5-45956-00-00	PROPELLER (3X13"X25"-K)	1	UR
23	6E5-45958-00-00	PROPELLER (3X13-5/8"X14"-K)	1	UR
23	688-45970-03-00	PROPELLER (3X13"X19"-K)	1	UR
23	688-45972-02-00	PROPELLER (3X13"X21"-K)	1	UR
23	688-45974-02-00	PROPELLER (3X13"X23"-K)	1	UR
23	688-45976-01-00	PROPELLER (3X13"X25"-K)	1	UR
23	688-45978-60-00	PROPELLER (3X13-1/2"X16"-K)	1	UR
23	688-45930-02-00	PROPELLER (3X13"X17"-K2)	1	UR
23	688-45932-60-00	PROPELLER (3X13-1/2"X14"-K)	1	UR
23	6E5-45954-00-00	PROPELLER (3X14"X11"-K)	1	UR
23	6E5-45952-00-00	PROPELLER (3X13"X23"-K)	1	UR
23	6E5-45949-00-00	PROPELLER (3X13-5/8"X13"-K)	1	UR
23	6E5-45947-00-00	PROPELLER (3X13-1/2"X15"-K)	1	UR
23	6E5-45941-00-00	PROPELLER (3X13"X19"-K)	1	UR
23	6E5-45943-00-00	PROPELLER (3X12-5/8"X21"-K)	1	UR
23	6E5-45945-01-00	PROPELLER (3X13-1/4"X17"-K)	1	UR