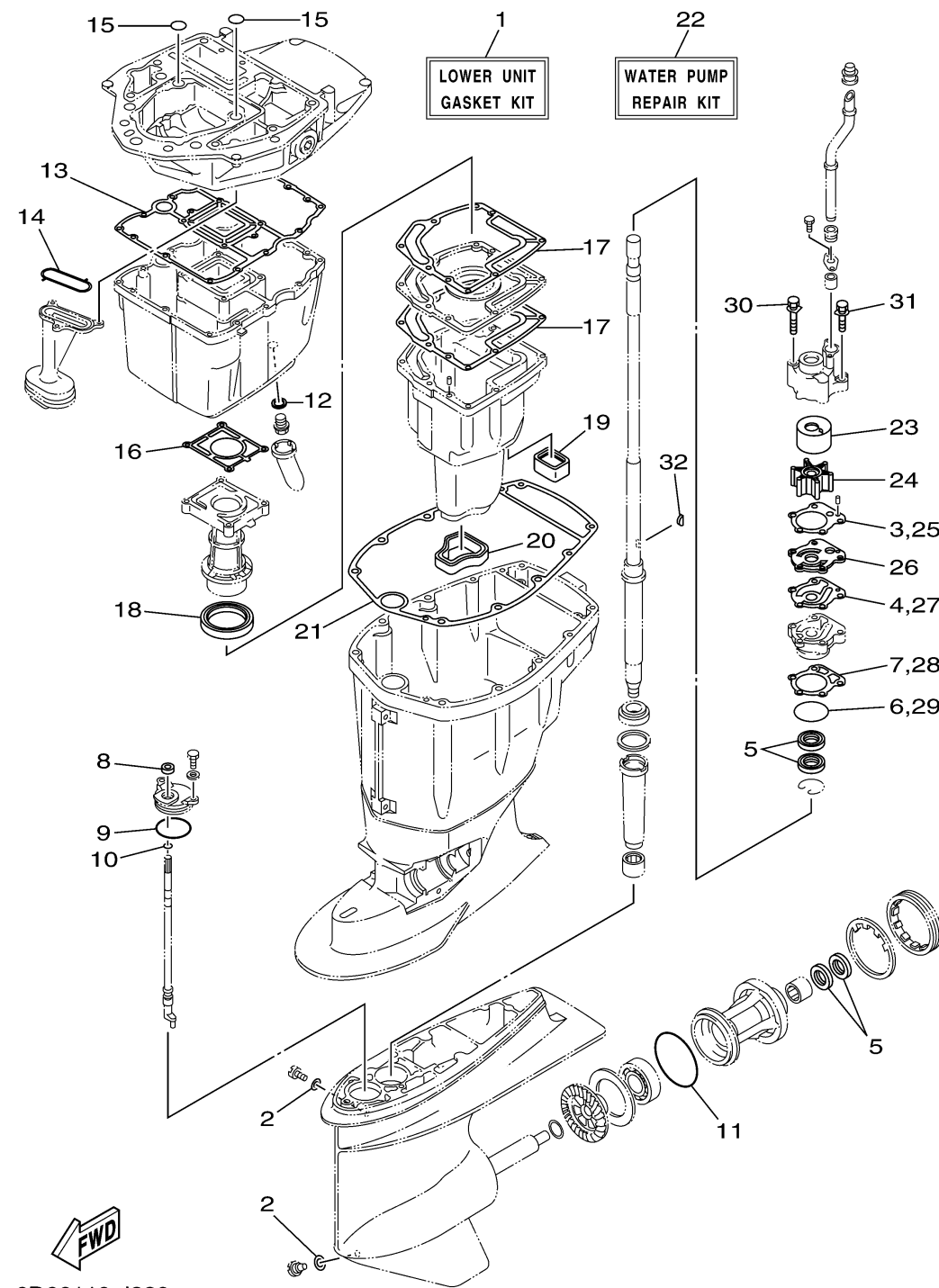


6D66110-J320

REPAIR KIT 2

Ref No.	Part Number	Description	Qty	Remarks
1	67F-W0001-21-00	LOWER UNIT GASKET KIT	1	
2	90430-08003-00	..GASKET	2	
3	688-44315-A0-00	..GASKET, WATER PUMP	1	
4	688-44324-A0-00	..GASKET, CARTRIDGE	1	
5	93101-25M03-00	..OIL SEAL	4	
6	93210-46044-00	..O-RING	1	
7	688-44316-A0-00	..GASKET, WATER PUMP	1	
8	93106-09014-00	..OIL SEAL	1	
9	93210-49046-00	..O-RING	1	
10	93210-07003-00	..O-RING	1	
11	93210-86M39-00	..O-RING	1	
12	90430-14M09-00	..GASKET	1	
13	68V-15312-00-00	..GASKET, OIL PAN	1	
14	67F-13415-00-00	..SEAL, OIL STRAINER	1	
15	93210-19MJ1-00	..O-RING	2	
16	67F-41133-A1-00	..GASKET, EXHAUST MANIFOLD 1	1	
17	67F-41134-A0-00	..GASKET, EXHAUST MANIFOLD	2	
18	67F-41138-00-00	..SEAL, EXT. 1	1	
19	67F-45127-00-00	..SEAL	1	
20	67F-45123-00-00	..GASKET, MUFFLER	1	

CONTINUED ON NEXT FRAME >



6D66110-J320

REPAIR KIT 2

Ref No.	Part Number	Description	Qty	Remarks
21	67F-45113-00-00	..GASKET, UPPER CASING	1	
22	67F-W0078-00-00	WATER PUMP REPAIR KIT	1	
23	67F-44322-00-00	..INSERT, CARTRIDGE	1	
24	67F-44352-00-00	..IMPELLER	1	
25	688-44315-A0-00	..GASKET, WATER PUMP	1	
26	67F-44323-00-00	..OUTER PLATE, CARTRIDGE	1	
27	688-44324-A0-00	..GASKET, CARTRIDGE	1	
28	688-44316-A0-00	..GASKET, WATER PUMP	1	
29	93210-46044-00	..O-RING	1	
30	90119-08M87-00	..BOLT, WITH WASHER	2	
31	90119-08M13-00	..BOLT, WITH WASHER	2	
32	90280-04M04-00	..KEY, WOODRUFF	1	