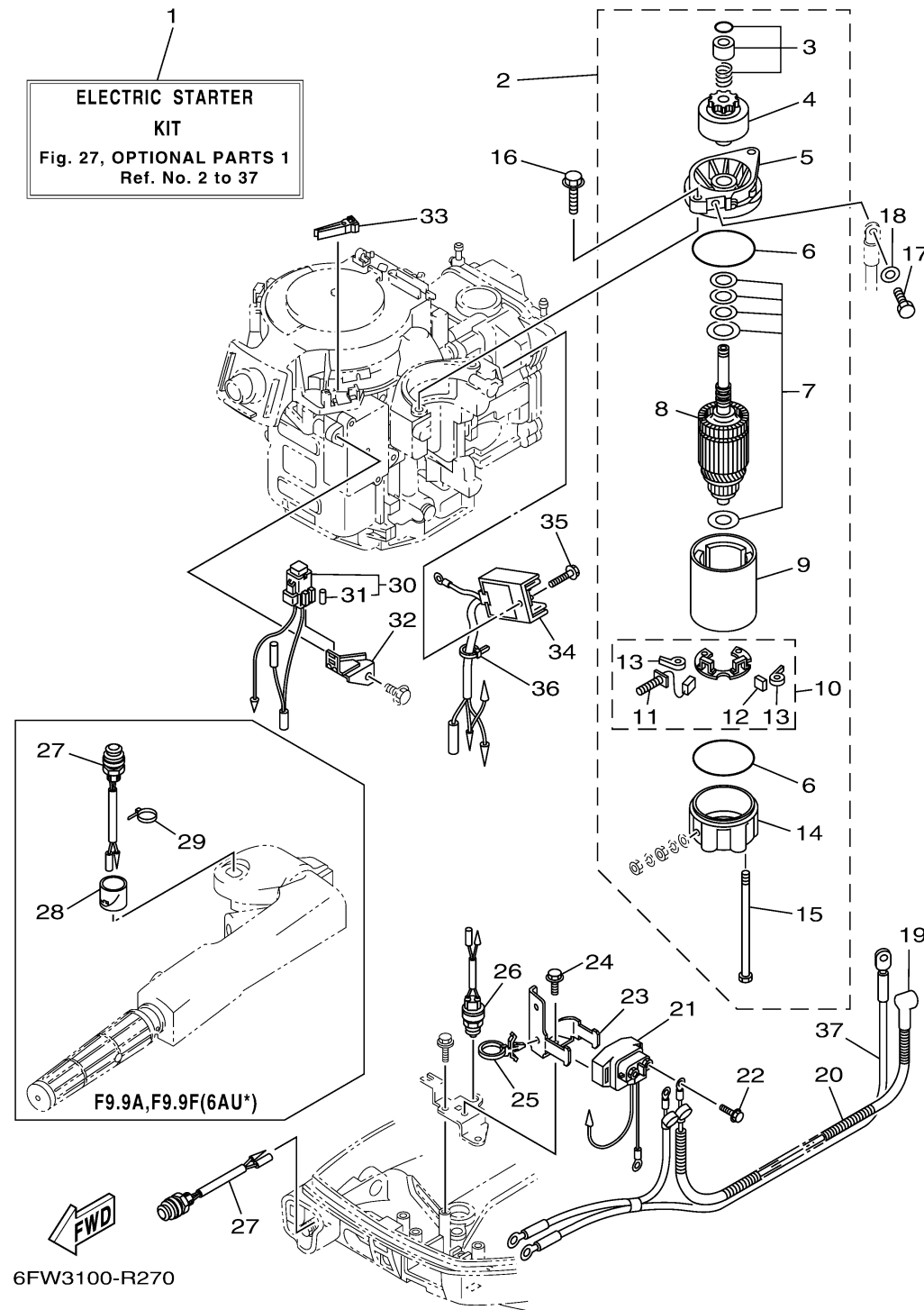
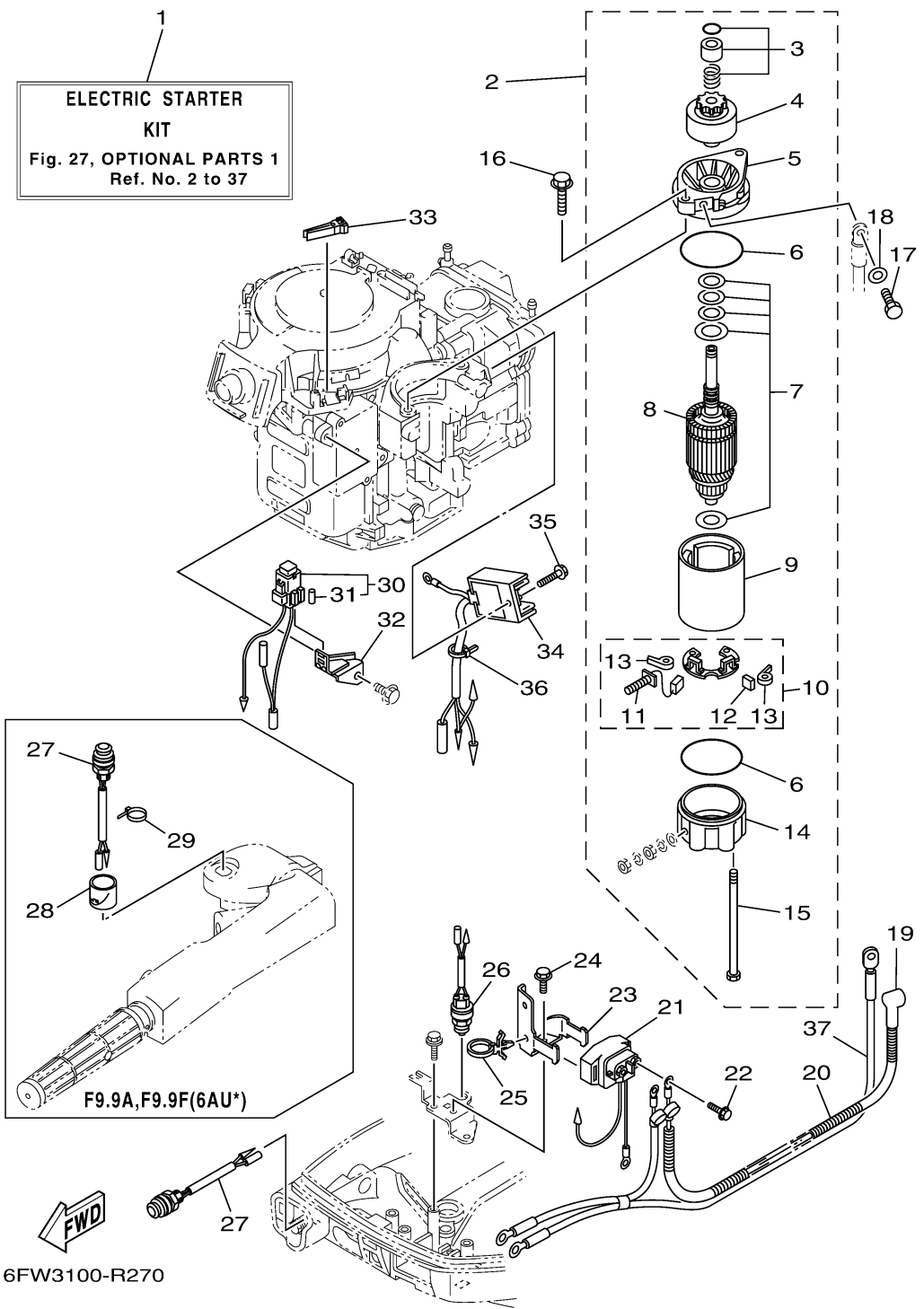


# OPTIONAL PARTS 1



Ref No.	Part Number	Description	Qty	Remarks
1	6DR-W8180-10-00	ELECTRIC STARTER KIT	1	AP
2	68T-81800-00-00	STARTING MOTOR ASSY	1	
3	68T-81857-00-00	..PINION STOPPER SET	1	
4	689-81807-12-00	..GEAR ASSY, STARTING MOTOR	1	
5	6F5-81830-10-00	..FRONT BRACKET ASSY	1	
6	689-81847-11-00	..O-RING	2	
7	689-81809-11-00	..WASHER KIT	1	
8	689-81850-11-00	..ARMATURE ASSY	1	
9	689-81810-11-00	..STATOR ASSY	1	
10	689-81840-11-00	..BRUSH HOLDER ASSY	1	
11	689-81811-11-00	...BRUSH 1	1	
12	689-81812-11-00	...BRUSH 2	1	
13	689-81813-10-00	...SPRING, BRUSH	2	
14	689-81820-11-00	..REAR BRACKET ASSY	1	
15	689-81826-10-00	..BOLT	2	
16	90119-08M76-00	BOLT, WITH WASHER	2	
17	97095-08016-00	BOLT	1	
18	92995-08600-00	WASHER	1	
19	6G8-82117-00-00	WIRE, LEAD	1	
20	90446-10M86-00	HOSE (L140)	1	

CONTINUED ON NEXT FRAME >



# OPTIONAL PARTS 1

Ref No.	Part Number	Description	Qty	Remarks
21	68T-81940-00-00	STARTER RELAY ASSY	1	
22	97595-06610-00	BOLT, WITH WASHER	2	
23	68T-81945-01-00	PLATE, SWITCH FITTING	1	
24	97595-06512-00	BOLT, WITH WASHER	1	
25	90465-12M56-00	CLAMP	1	
26	6F5-82540-01-00	NEUTRAL SWITCH ASSY	1	
27	68T-81870-00-00	STARTING SWITCH ASSY	1	
28	68T-81821-00-00	COVER, SWITCH	1	
29	90465-11M10-00	CLAMP	1	
30	68T-82150-00-00	FUSE HOLDER ASSY	1	
31	66V-82151-00-00	..FUSE (10A-BL)	2	
32	68T-82171-01-00	STAY, FUSE BOX	1	
33	67F-2812A-00-00	PULLER, FUSE	1	
34	68T-81960-00-00	RECTIFIER & REGULATOR ASSY	1	
35	97595-06512-00	BOLT, WITH WASHER	1	
36	90465-11M10-00	CLAMP	2	
37	68T-82105-01-00	BATTERY CABLE (L: 2.1M)	1	