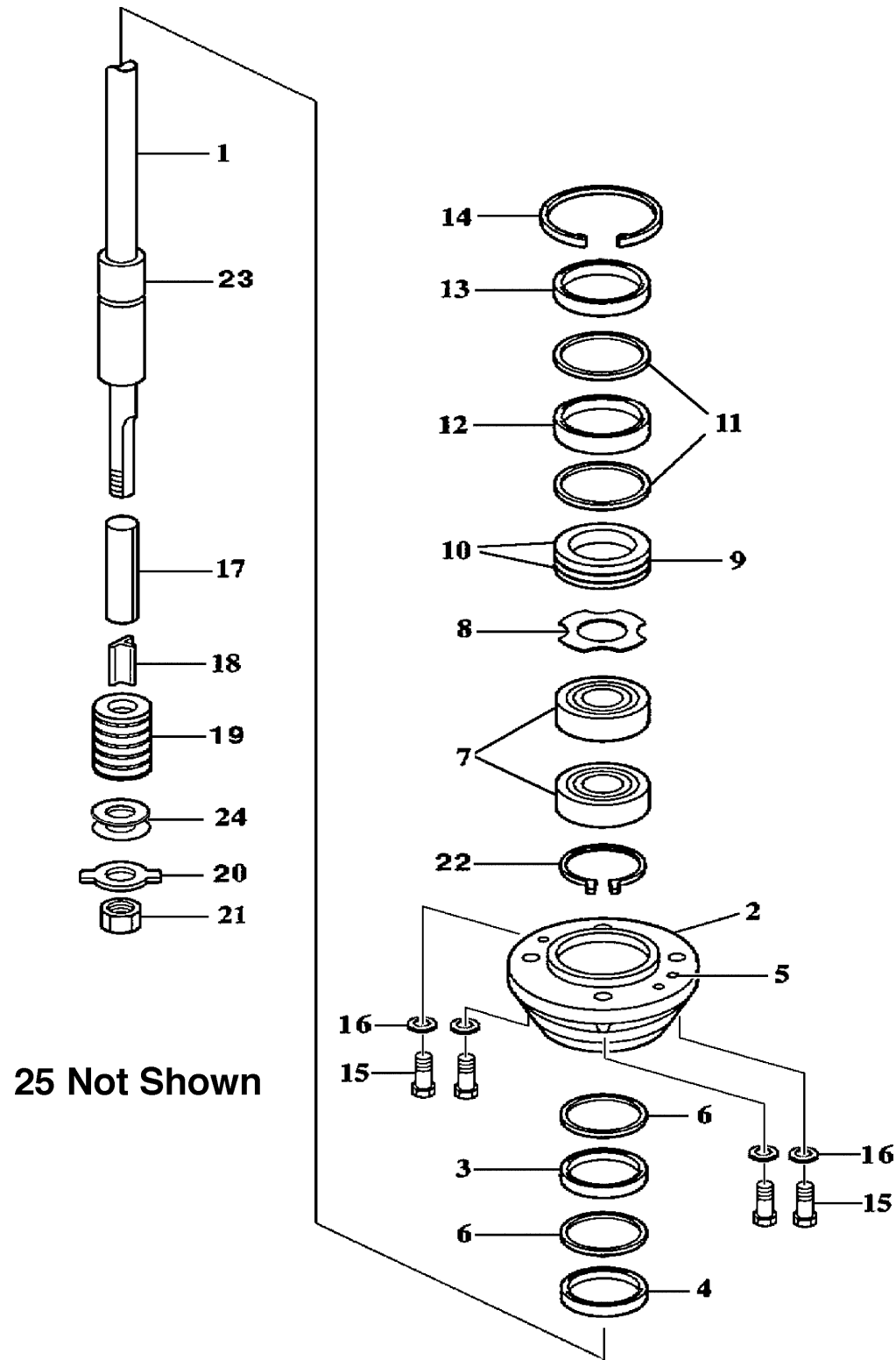


# DRIVE 1 F90LB

Ref No.	Part Number	Description	Qty	Remarks
1	6E5-JD009-52-00	DRIVESHAFT ONLY	1	
1	6E5-JD009-52-01	DRIVESHAFT ASSEMBLY W/BEARING CARRIER	1	
2	6H1-JD003-93-05	. BEARING CARRIER W/SEAL, O-RINGS	1	
3	6H4-JD005-06-00	. SHAFT SEAL (N472324)	1	
4	6H4-JD005-07-00	. SHAFT SEAL (N6324S)	1	
5	6H4-JD005-21-00	. O-RING	3	
6	6H4-JD005-17-00	. RETAINING RING	2	
7	6H4-JD005-02-00	BEARING (7305B-UA)	2	
8	6H4-JD004-04-00	BACK-UP WASHER	1	
9	6H4-JD004-32-00	SEAL RING ASSY, LARGE	1	
10	6H4-JD005-27-00	. O-RING (568-141)	2	
11	6H4-JD005-17-00	RETAINING RING	2	
12	6H4-JD005-06-00	SHAFT SEAL (N472324)	1	
13	6H4-JD005-07-00	SHAFT SEAL (N6324S)	1	
14	6H1-JD005-13-00	RETAINING RING	1	
15	6H1-JD006-02-01	BOLT	4	
16	6H4-JD006-40-00	WASHER, SPRING LOCK	4	
17	6H1-JD001-36-00	SHAFT SLEEVE, IMPELLER	1	
18	6H1-JD004-34-00	KEY, TEE	1	
19	6H1-JD001-21-00	SHIM WASHER	8	

CONTINUED ON NEXT FRAME >



# DRIVE 1 F90LB

Ref No.	Part Number	Description	Qty	Remarks
20	6H1-JD007-81-00	NUT KEEPER	1	
21	6H1-JD001-22-10	NUT, DRIVESHAFT FLAT	1	
22	6H4-JD000-41-00	SHAFT BEARING THRUST RING	1	
23	90280-04M05-00	.KEY, WOODRUFF	1	
24	6H4-JD005-11-00	RETAINING RING	1	
25	67F-JD001-71-90	TORSIONAL DAMPER KIT	1	

