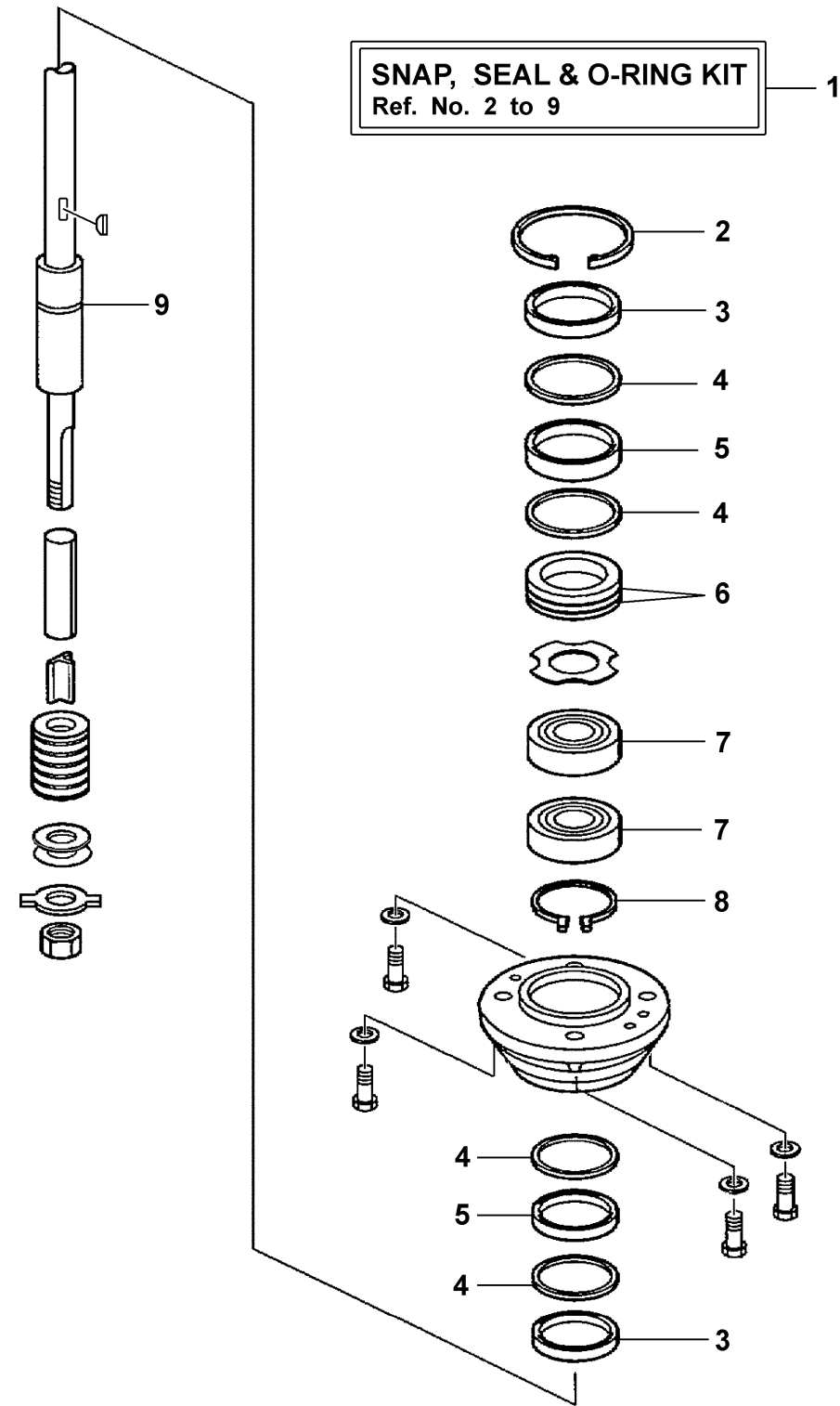


REPAIR KIT F90LB



Ref No.	Part Number	Description	Qty	Remarks
1	67F-JD004-62-02	SNAP, SEAL & O-RING KIT	1	
2	6H1-JD005-13-00	. RETAINING RING	1	
3	6H4-JD005-07-00	. SHAFT SEAL (N6324S)	2	
4	6H4-JD005-17-00	. RETAINING RING	4	
5	6H4-JD005-06-00	. SHAFT SEAL (N472324)	2	
6	6H1-JD005-27-00	. O-RING (568-141)	2	
7	6H1-JD005-02-00	. BEARING (7305B-UA)	2	
8	6H4-JD005-11-00	. RETAINING RING	1	
9	6H4-JD000-41-00	. SHAFT BEARING THRUST RING	1	