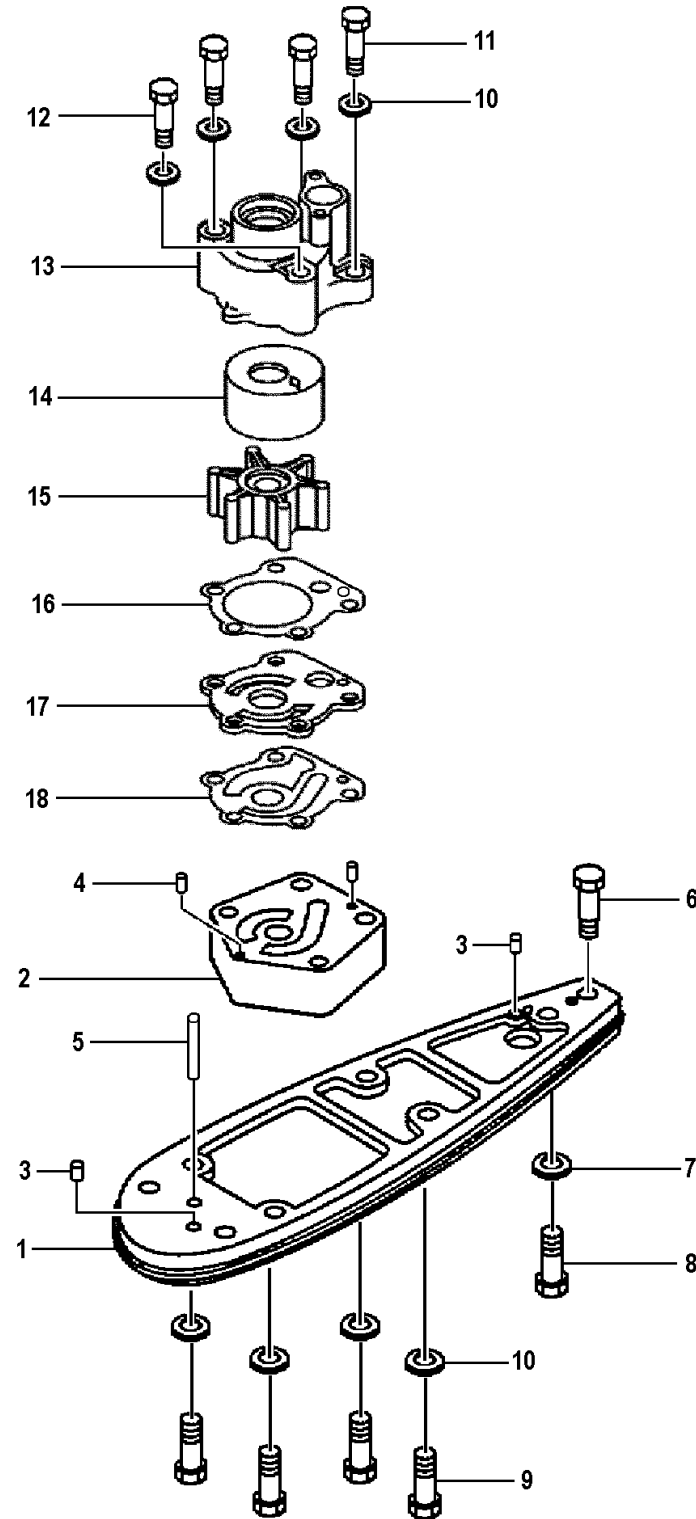


WATER PUMP ADAPTER F90



Ref No.	Part Number	Description	Qty	Remarks
1	6H1-JD008-71-00	ADAPTER Y	1	
2	6H1-JD008-73-00	ADAPTER, WATER PUMP	1	
3	6H4-JD006-16-00	PIN, DOWEL	2	
4	93604-10M03-00	PIN, DOWEL	2	
5	6H1-JD008-74-00	SHIFT ROD GUIDE	1	
6	6H4-JD006-06-00	BOLT, 3/8-16 X 1-14"	1	
7	6H4-JD005-91-00	BOLT	1	
8	6H4-JD006-40-00	WASHER, SPRING LOCK	1	
9	6H4-JD005-92-00	BOLT	4	
10	6H4-JD006-36-00	WASHER, LOCK M10	8	
11	6H1-JD006-00-10	BOLT, 5/16"-18 X 3-1/2"	2	
12	6H1-JD006-03-00	BOLT	2	
13	67F-44311-10-00	HOUSING, WATER PUMP	1	
14	67F-44322-00-00	.INSERT, CARTRIDGE	1	
15	67F-44352-00-00	.IMPELLER	1	
16	688-44315-A0-00	.GASKET, WATER PUMP	1	
17	67F-44323-00-00	.OUTER PLATE, CARTRIDGE	1	
18	688-44324-A0-00	.GASKET, CARTRIDGE	1	