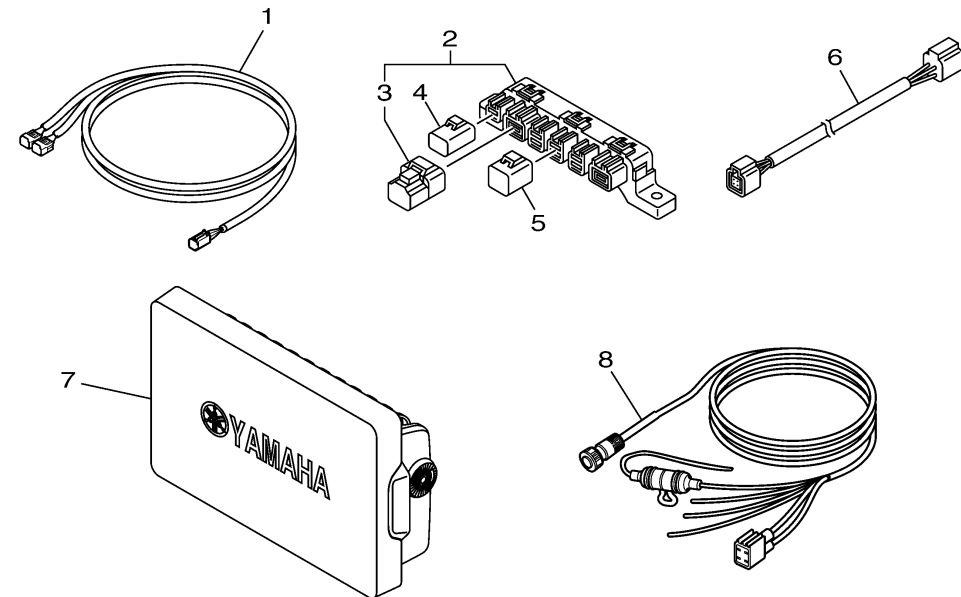
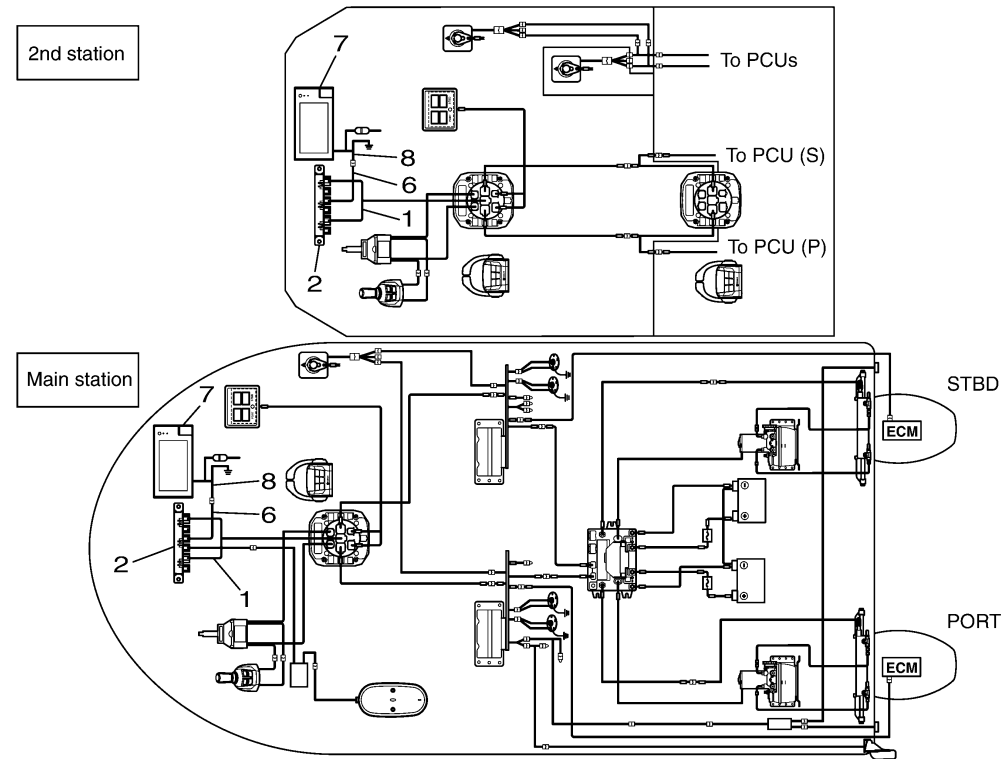


MULTI DISPLAY (TWIN)



6ES3100-R110

*1 : FOR MAIN STATION PARTS
*2 : FOR 2ND STATION PARTS

Ref No.	Part Number	Description	Qty	Remarks
1	6ES-83553-60-00	REMOTE CTR-HUB HARNESS, TWIN	2	MAIN & 2ND STATION
2	6Y8-81920-01-00	MULTI HUB ASSY	2	
3	6Y8-85371-01-00	. END OF LINE RESISTER	1	
4	6Y8-82582-01-00	CAP 1 (2PIN)	2	
5	6Y8-82582-11-00	. CAP 1 (4PIN)	1	MAIN STATION
5	6Y8-82582-11-00	. CAP 1 (4PIN)	2	2ND STATION
6	6Y8-82521-11-00	2FT PIGTAIL BUS	2	
7	6YD-83710-00-00	CL7 DISPLAY	2	REFER TO MULTIDISPLAY
8	6YD-83553-00-00	WIRE, LEAD	2	