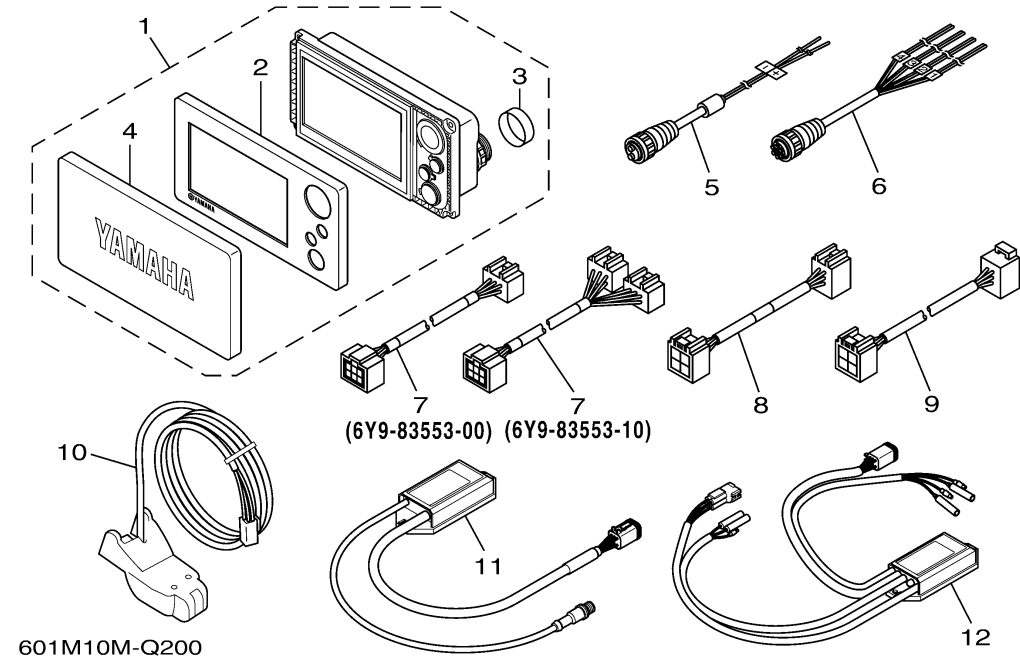
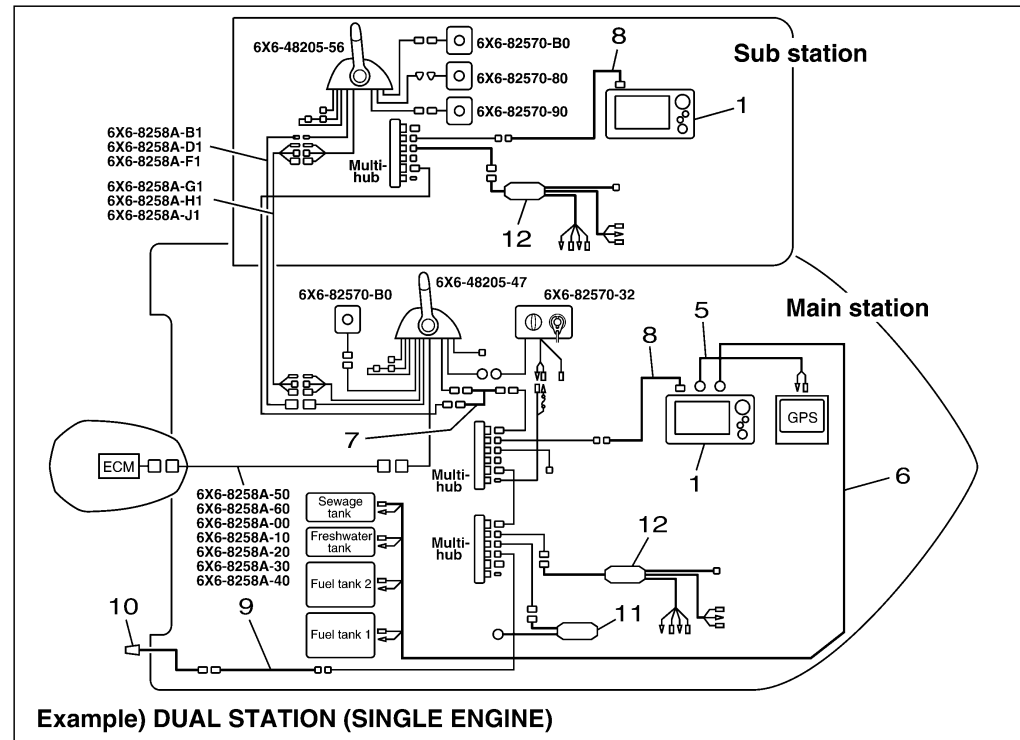


COMMAND LINK PLUS DISPLAY



Ref No.	Part Number	Description	Qty	Remarks
1	6Y9-83710-13-00	MULTI DISPLAY ASSY	1	UN
2	6Y9-83512-00-00	. .COVER, FRONT	1	
3	6Y9-82532-20-00	. .CAP	1	
4	6Y9-87278-00-00	. .COVER, METER	1	
5	6Y9-8356N-01-00	WIRE, LEAD	1	FOR GPS
6	6Y9-8356N-10-00	WIRE, LEAD	1	FOR TANKS
7	6Y9-83553-00-00	WIRE, LEAD	1	UR 1 STATION
7	6Y9-83553-10-00	WIRE, LEAD	1	UR 2 STATION
8	6Y9-83553-40-00	WIRE, LEAD	1	FOR MULTI DISPLAY
9	6Y9-83553-60-00	WIRE, LEAD	1	FOR SENSOR ASSY
10	6Y9-83688-00-00	SENSOR ASSY	1	
11	6Y9-8A2D0-40-00	INTERFACE UNIT	1	GATEWAY
12	6Y9-8A2D0-30-00	INTERFACE UNIT	1	ANALOGUE GAUGE