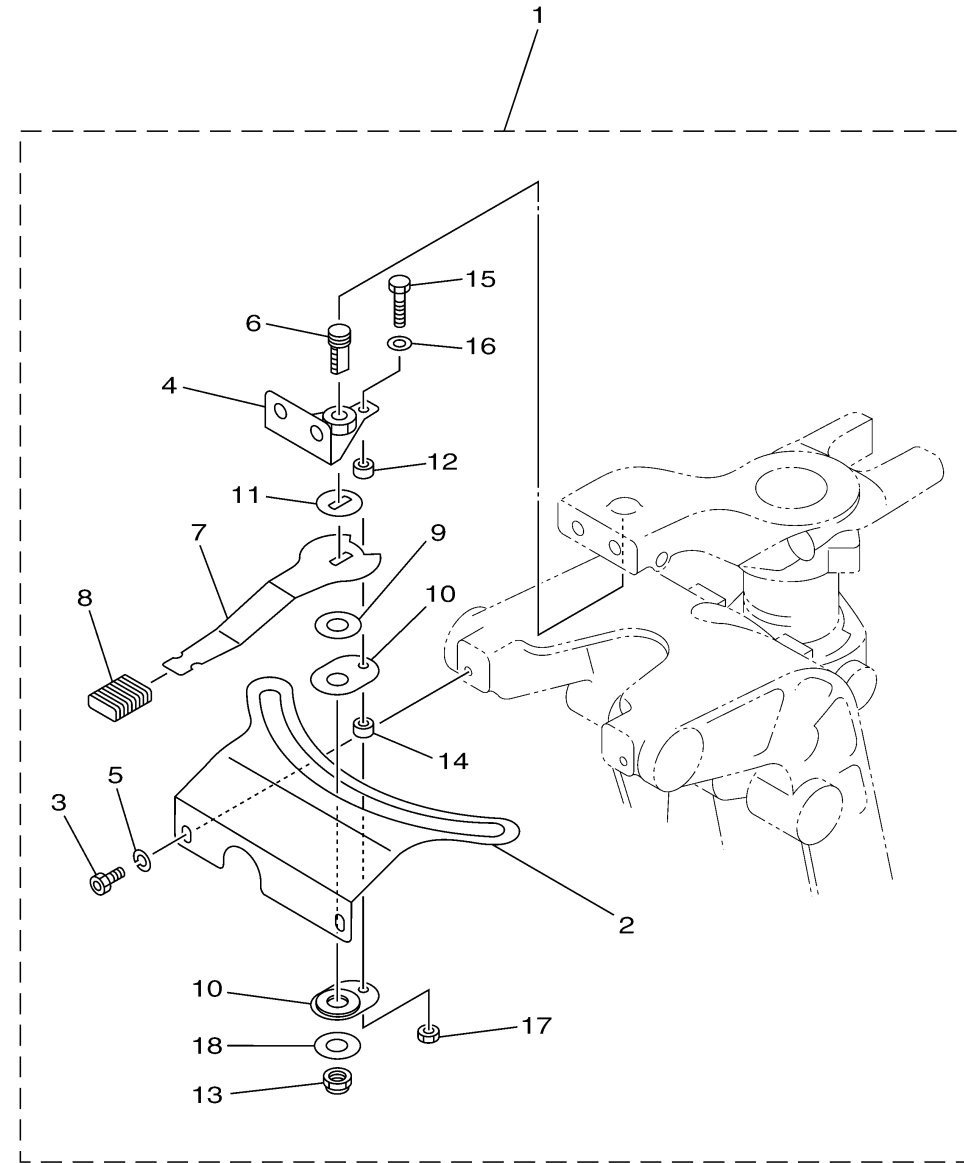


### STEERING FRICTION

Part No.	Applicable model
67C-42508-04	F30B (F30A), F40F(F40A)



601S10S-L170

## ALTERNATE STEERING FRICTION 2

Ref No.	Part Number	Description	Qty	Remarks
1	67C-42508-04-00	STEERING FRICTION ASSY	1	UR F30, F40
2	67C-42527-03-00	..PLATE, FRICTION	1	
3	90109-06M88-00	..BOLT	2	
4	67C-42525-00-00	..PLATE, FRICTION	1	
5	92990-06100-00	...WASHER, SPRING	2	
6	67C-42562-00-00	..SHAFT, STEERING LOCK	1	
7	67C-42561-00-00	..KNOB, STEERING LOCK	1	
8	689-43633-00-00	..COVER, TILT LEVER	1	
9	90202-10M56-00	..WASHER, PLATE	1	
10	65W-42528-00-00	..PLATE, FRICTION	2	
11	90209-10M26-00	..WASHER	1	
12	90387-05053-00	..COLLAR	1	
13	90185-10M14-00	..NUT, SELF-LOCKING	1	
14	90387-05054-00	..COLLAR	1	
15	97095-05020-00	..BOLT	1	
16	92995-05600-00	..WASHER	1	
17	95380-05600-00	..NUT	1	
18	90201-106M5-00	..WASHER, PLATE	1	