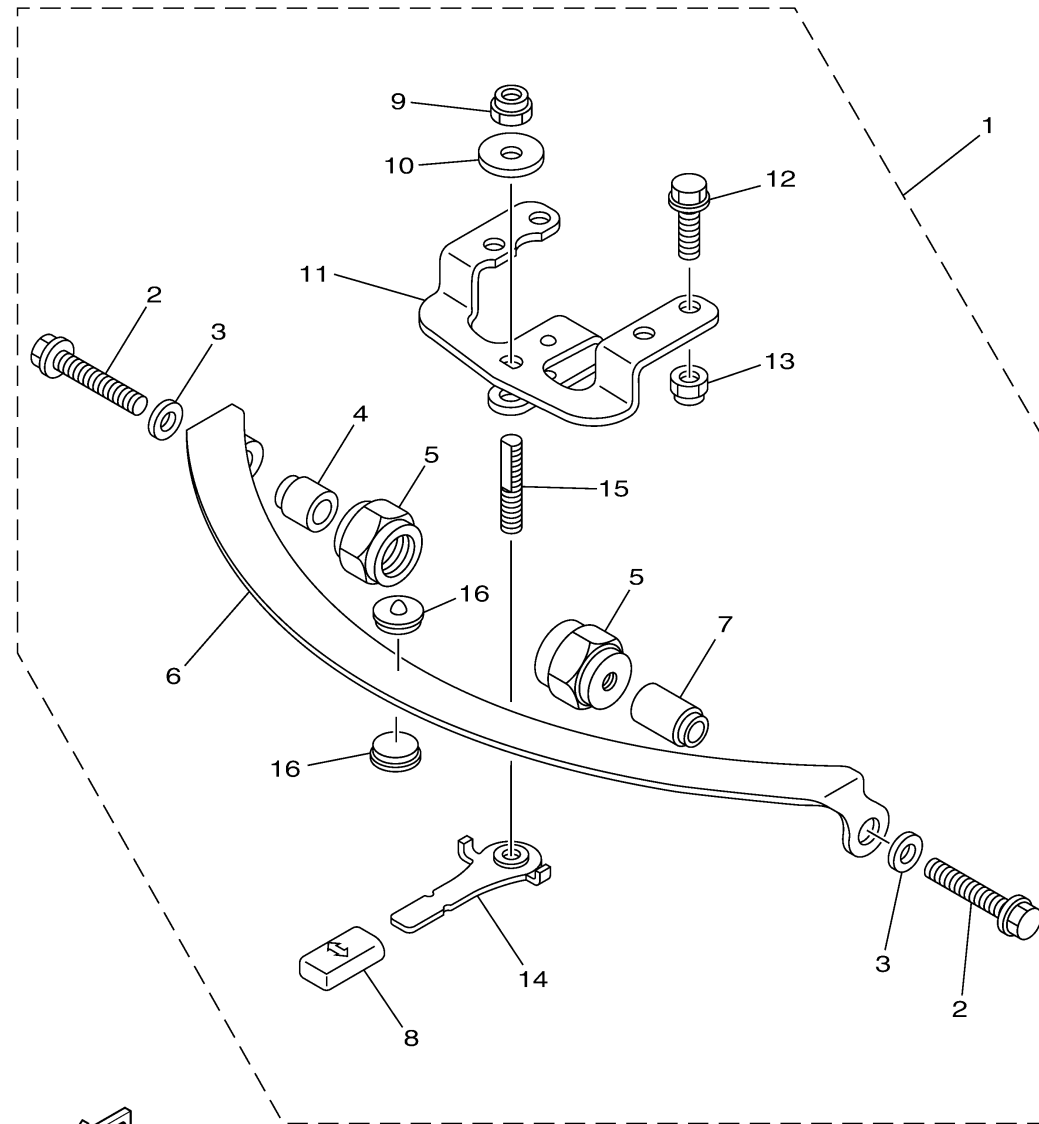


ALTERNATE STEERING FRICTION 6

STEERING FRICTION

Part No.	Applicable model
67G-42508-10	F75B (F75A), F75C, F75D (F75B), F80B (F80A), F80D, F90B (F90A), F90C (F90B) F100B, F100D (F100A) F100F, F115A, F115B (F115B), VF115A, F130A (F130A)



601S10S-R220

Ref No.	Part Number	Description	Qty	Remarks
1	67G-42508-10-00	STEERING FRICTION ASSY	1	UR F75, F90, F115
2	90119-08M74-00	. .BOLT, WITH WASHER	2	
3	90201-08M01-00	. .WASHER, PLATE	2	
4	67G-42541-00-00	. .PIPE 1	1	
5	67G-42546-00-00	. .NUT	2	
6	63D-42527-00-00	. .PLATE, FRICTION	1	
7	67G-42541-10-00	. .PIPE 1	1	
8	682-43318-01-00	. .COVER	1	
9	90185-10M14-00	. .NUT, SELF-LOCKING	1	
10	90201-10M76-00	. .WASHER, PLATE	1	
11	6X4-42526-00-00	. .PLATE, FRICTION	1	
12	97595-08525-00	. .BOLT, WITH WASHER	2	
13	90185-08057-00	. .NUT, SELF-LOCKING	2	
14	67G-42561-00-00	. .KNOB, STEERING LOCK	1	
15	67G-42562-00-00	. .SHAFT, STEERING LOCK	1	
16	63D-42528-00-00	. .PLATE, FRICTION	2	