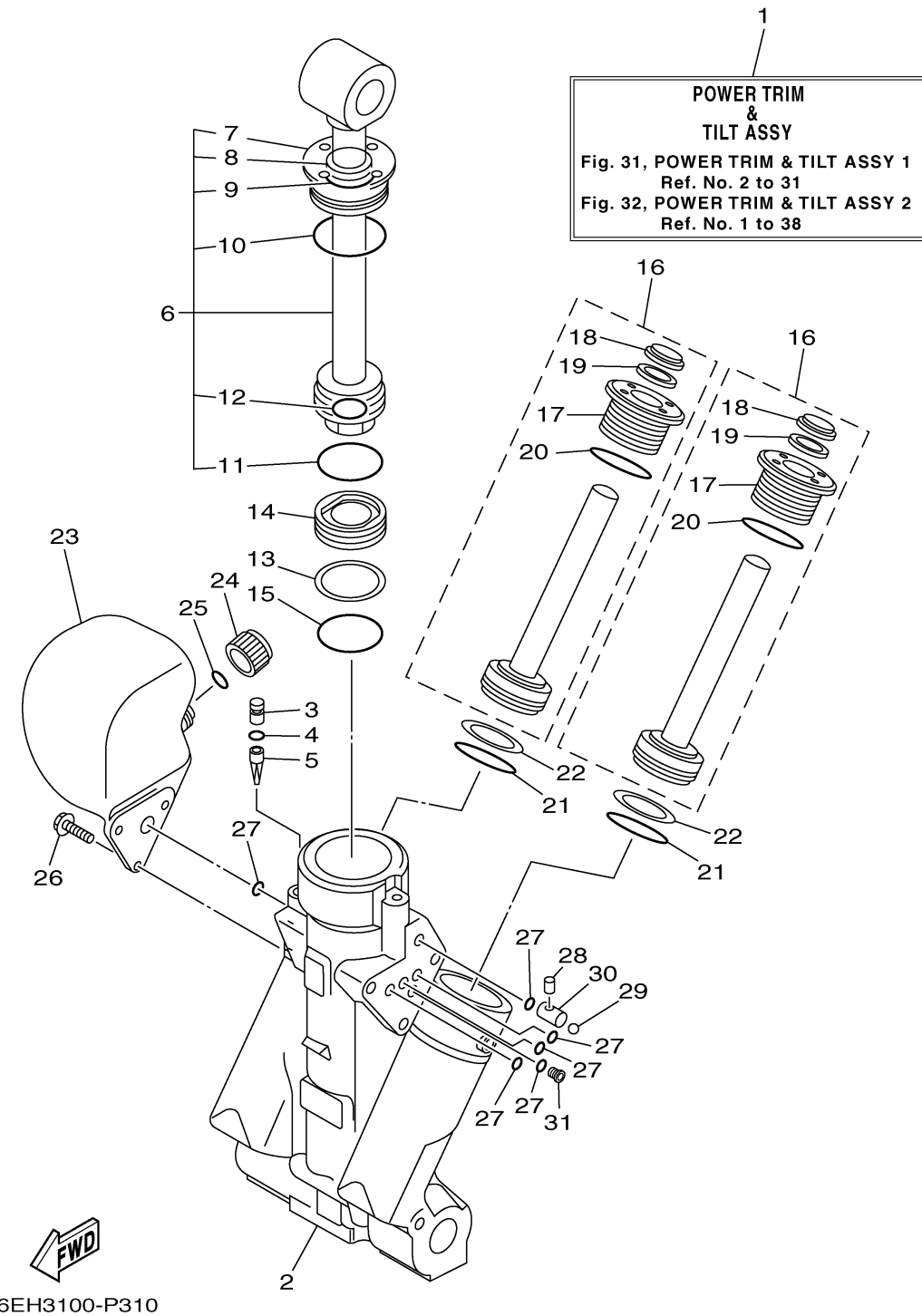


POWER TRIM TILT ASSY 1

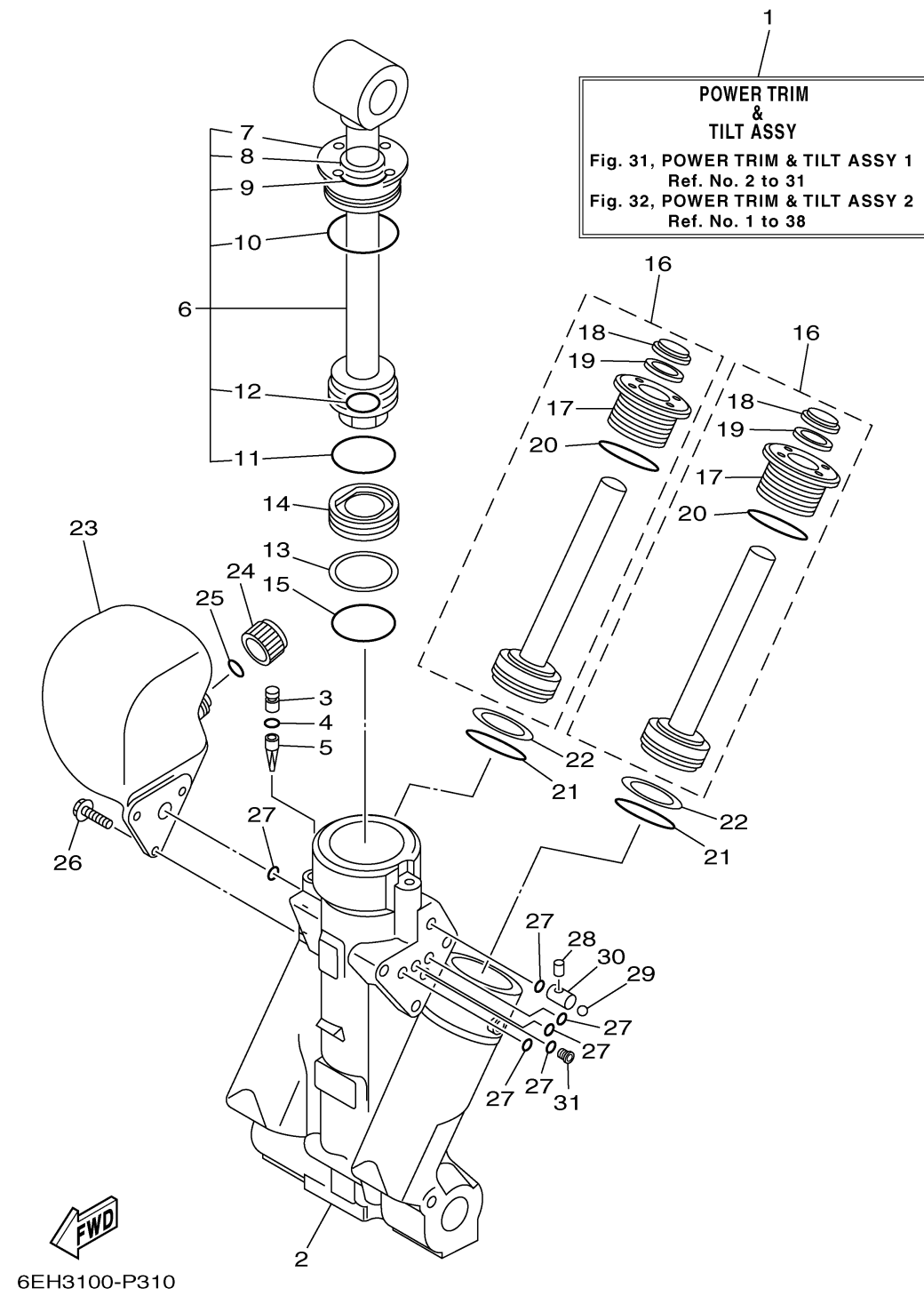


Ref No.	Part Number	Description	Qty	Remarks
1	6CB-43800-03-8D	POWER TRIM & TILT ASSY	1	
2	6CB-43825-00-00	HOUSING, TRIM & TILT	1	
3	6AW-4388J-00-00	PLUG 2	1	
4	93210-10M74-00	O-RING	1	
5	64E-43817-00-00	FILTER 2	1	
6	63P-43810-02-00	TILT PISTON SUB ASSY	1	
7	64E-43811-02-00	..SCREW, CYLINDER END	1	
8	64E-43898-00-00	..SEAL, DUST 2	1	
9	64E-43867-00-00	..O-RING	1	
10	64E-43866-00-00	..O-RING	1	
11	6E5-43862-00-00	..O-RING	1	
12	64E-43883-00-00	..O-RING	1	
13	6E5-43872-00-00	RING, BACK UP	1	
14	6E5-43814-02-00	PISTON, FREE	1	
15	6E5-43862-00-00	O-RING	1	
16	64E-43820-05-00	TRIM PISTON SUB ASSY	2	
17	64E-43821-05-00	..SCREW, TRIM CYLINDER END	1	
18	64E-43822-00-00	..SEAL, TRIM DUST	1	
19	64E-4384J-00-00	..SEAL, TRIM DOWN	1	
20	6G5-43864-00-00	..O-RING	1	

CONTINUED ON NEXT FRAME >

6EH3100-P310

POWER TRIM TILT ASSY 1



Ref No.	Part Number	Description	Qty	Remarks
21	6E5-43864-00-00	O-RING	2	
22	6E5-43874-01-00	RING, BACK UP	2	
23	64E-43828-01-00	BODY, RESERVOIR	1	
24	64E-43829-01-00	PLUG, RESERVOIR	1	
25	64E-43897-00-00	O-RING	1	
26	64E-4388E-01-00	BOLT ,SCREW (L:14MM)	3	
27	64E-43869-00-00	O-RING	6	
28	64E-4381G-00-00	PIN	1	
29	6E5-43858-00-00	BALL	1	
30	64E-4382G-00-00	VALVE, SEAT	1	
31	64E-4384N-00-00	PLUG, ORIFICE	1	