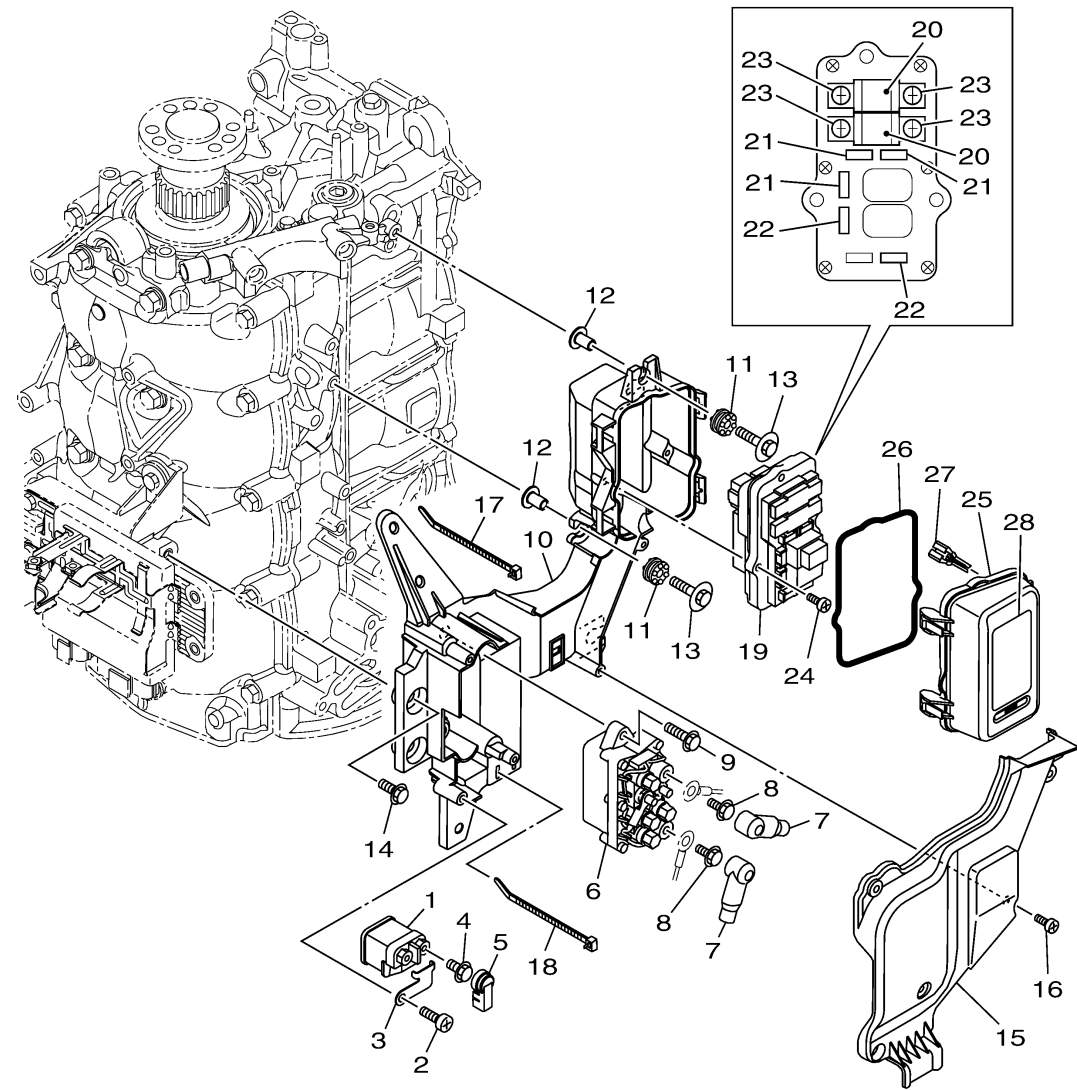


ELECTRICAL 2



Ref No.	Part Number	Description	Qty	Remarks
1	68V-8194A-00-00	RELAY	1	
2	97780-60620-00	SCREW, TAPPING	1	
3	68V-81953-00-00	STAY, RELAY	1	
4	97595-06610-00	BOLT, WITH WASHER	2	
5	6P2-8183X-00-00	CAP, TERMINAL	2	
6	63P-81950-00-00	RELAY ASSY	1	
7	682-82119-01-00	COVER, LEAD WIRE	2	
8	97595-06610-00	BOLT, WITH WASHER	2	
9	97595-06520-00	BOLT, WITH WASHER	2	
10	6EK-81952-00-00	HOLDER, RELAY	1	
11	64J-85516-00-00	SPACER	4	
12	69M-42758-01-00	COLLAR	4	
13	90119-06M56-00	BOLT, WITH WASHER	4	
14	95895-06016-00	BOLT, FLANGE	2	
15	6EM-81942-00-00	COVER	1	
16	90169-05M00-00	SCREW, TRUSS HEAD TAPPING	4	
17	90465-13M18-00	CLAMP	2	
18	90465-13M18-00	CLAMP	1	
19	6EK-82170-02-00	FUSE BOX ASSY	1	
20	63P-82151-00-00	..FUSE (50A)	2	

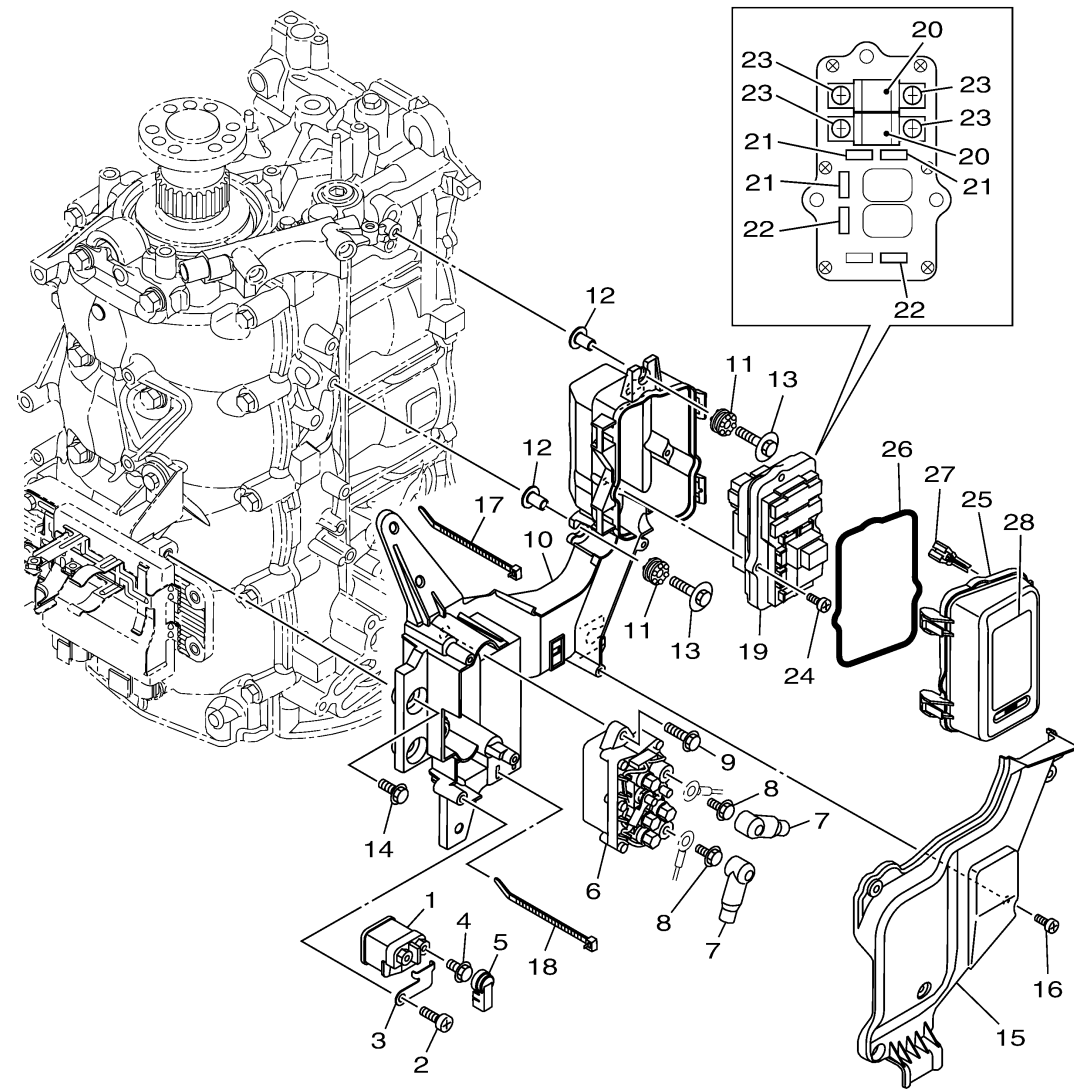
CONTINUED ON NEXT FRAME >



6EK4100-R170

ELECTRICAL 2

Ref No.	Part Number	Description	Qty	Remarks
21	67F-82151-00-00	. .FUSE (20A)	3	
22	67F-82151-10-00	. .FUSE (30A)	2	
23	68F-82846-00-00	. .SCREW, PAN HEAD (M5)	4	
24	97780-50620-00	SCREW, TAPPING	3	
25	6EM-85544-00-00	CASE	1	
26	68F-82176-00-00	DAMPER	1	
27	67F-2812A-00-00	PULLER, FUSE	1	
28	6EK-81919-01-00	GRAPHIC, REGULATOR	1	



6EK4100-R170