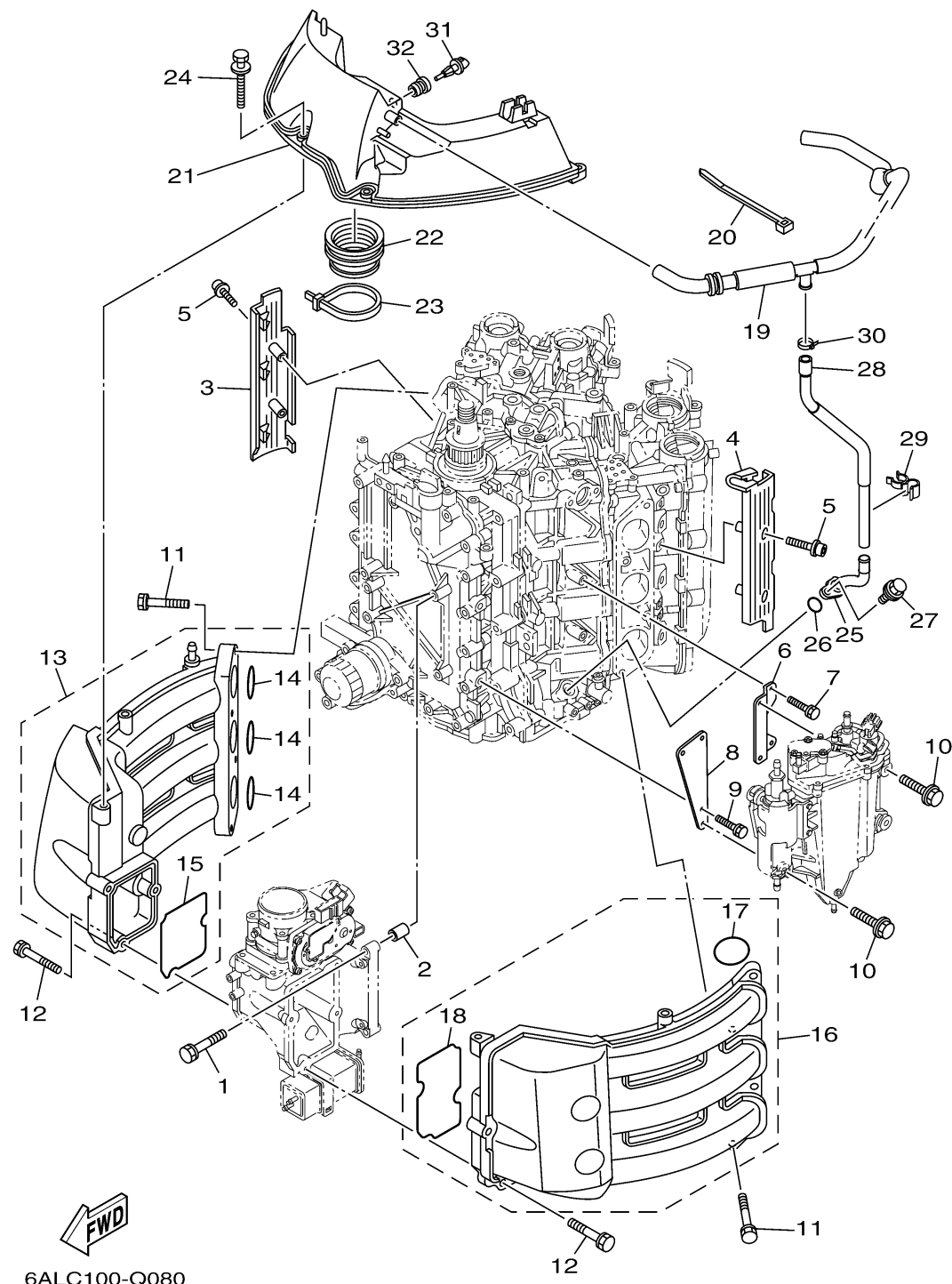


6ALC100-Q080

INTAKE 1

Ref No.	Part Number	Description	Qty	Remarks
1	97575-08540-00	BOLT, WITH WASHER	4	
2	99530-10114-00	PIN, DOWEL	2	
3	6P2-13564-00-00	COVER, MANIFOLD	1	
4	6P2-13594-00-00	COVER, MANIFOLD 2	1	
5	90110-06038-00	BOLT, HEXAGON SOCKET HEAD	4	
6	6P2-24422-10-00	PLATE	1	
7	97575-06516-00	BOLT, WITH WASHER	2	
8	6P2-24419-00-00	BRKT., SEPARATOR	1	
9	97575-06516-00	BOLT, WITH WASHER	2	
10	90119-06269-00	BOLT, WITH WASHER	4	
11	97575-08540-00	BOLT, WITH WASHER	8	
12	90119-06MA6-00	BOLT, WITH WASHER	7	
13	6P2-13641-00-00	MANIFOLD, INTAKE 1	1	
14	6P2-13645-00-00	..GASKET, MANIFOLD 1	3	
15	6P2-13646-00-00	..GASKET, MANIFOLD 2	1	
16	6P2-13642-00-00	MANIFOLD 2	1	
17	6P2-13645-00-00	..GASKET, MANIFOLD 1	3	
18	6P2-13647-00-00	..GASKET, MANIFOLD 3	1	
19	6P2-15373-02-00	PIPE, BREATHER	1	
20	90465-13M18-00	CLAMP	1	

CONTINUED ON NEXT FRAME >



6ALC100-Q080

INTAKE 1

Ref No.	Part Number	Description	Qty	Remarks
21	6P2-14440-00-00	SILENCER ASSY, INTAKE	1	
22	6P2-1441J-00-00	PIPE, SILENCER	1	
23	90464-99004-00	CLAMP	1	
24	90119-06M88-00	BOLT, WITH WASHER	4	
25	6P2-11372-00-00	NIPPLE, HOSE	1	
26	93210-19MJ3-00	.O-RING	1	
27	97595-06620-00	BOLT, WITH WASHER	1	
28	6P2-11377-00-00	HOSE	1	
29	90464-20011-00	CLAMP	1	
30	90465-11M10-00	CLAMP	1	
31	63P-85886-00-00	SENSOR, AIR TEMPERATURE	1	
32	63P-14435-00-00	GROMMET	1	