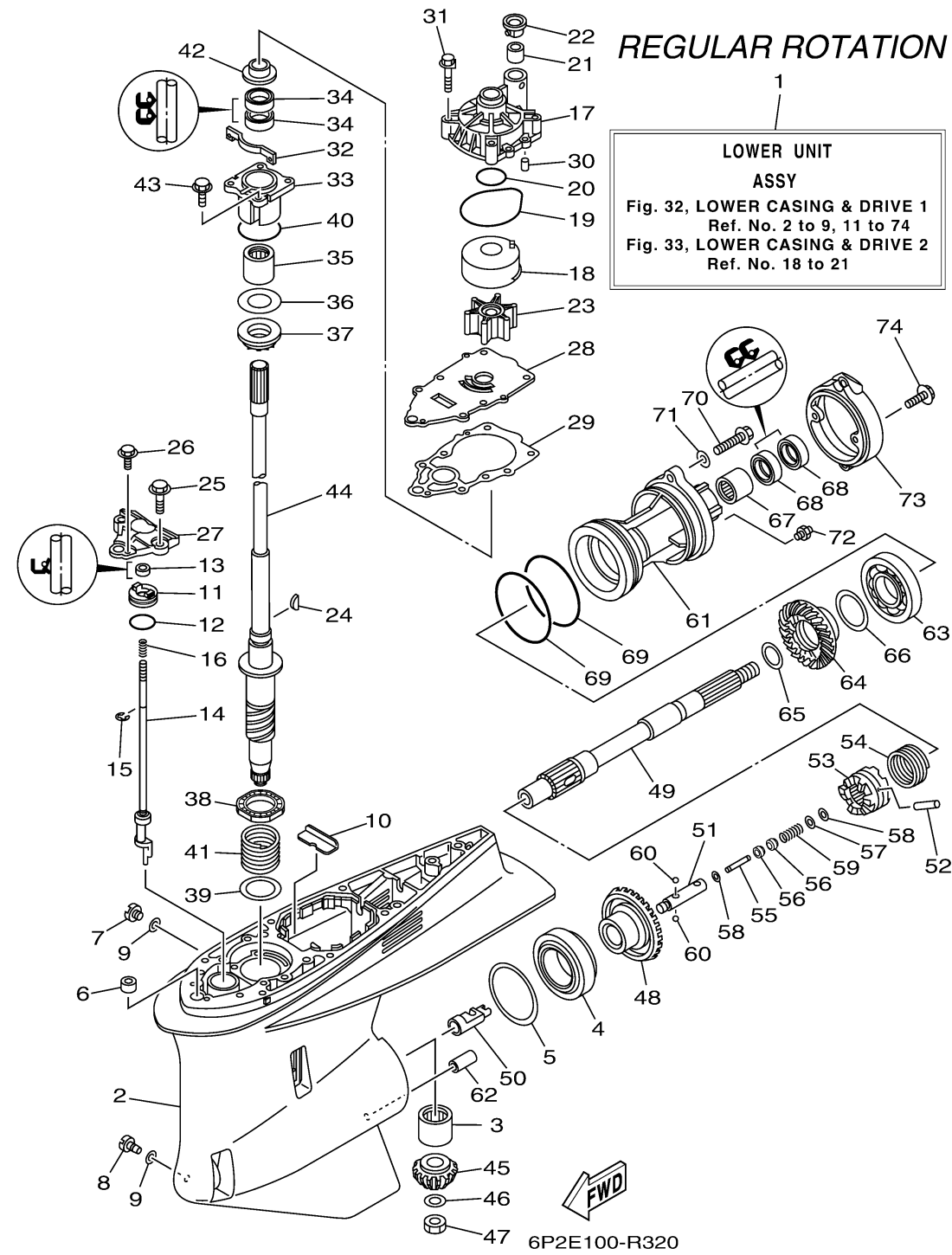


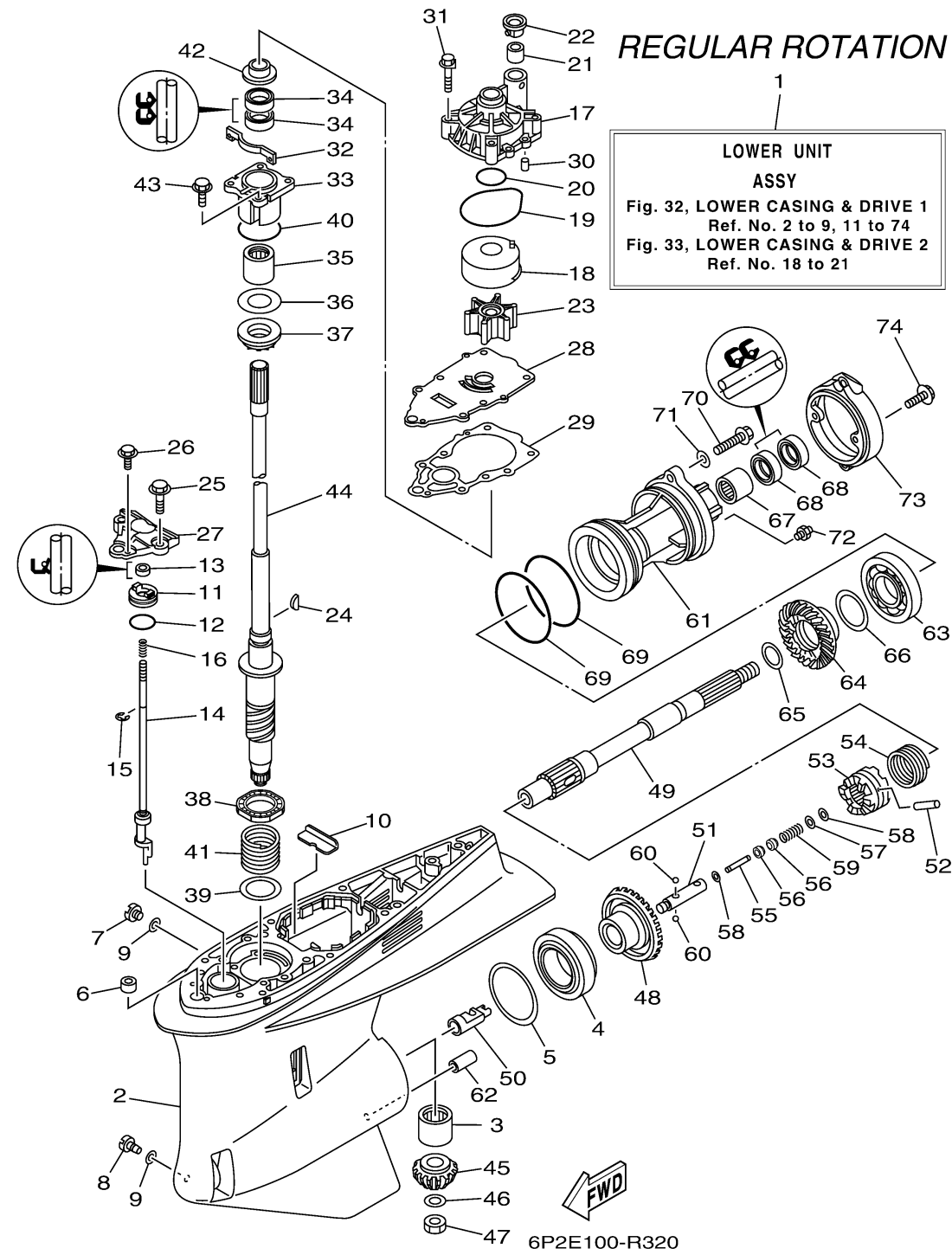
LOWER CASING DRIVE 1



Ref No.	Part Number	Description	Qty	Remarks
1	6P2-45300-41-8D	LOWER UNIT ASSY	1	X(25.3"), RH
2	6P2-45301-10-8D	CASING, LOWER	1	
3	93311-83280-00	BEARING	1	
4	93332-000W1-00	BEARING	1	
5	61A-45567-10-00	SHIM (T:0.12MM)	1	UR
5	61A-45567-00-00	SHIM (T:0.10MM)	1	UR
5	61A-45567-20-00	SHIM (T:0.15MM)	1	UR
5	61A-45567-60-00	SHIM (T:0.50MM)	1	UR
5	61A-45567-50-00	SHIM (T:0.40MM)	1	UR
5	61A-45567-30-00	SHIM (T:0.18MM)	1	UR
5	61A-45567-40-00	SHIM (T:0.30MM)	1	UR
6	663-44366-00-00	DAMPER, WATER SEAL 2	1	
7	90340-08002-00	PLUG, STRAIGHT SCREW	1	
8	688-45341-10-00	PLUG, DRAIN	1	
9	90430-08003-00	.GASKET	2	
10	61A-45376-00-00	GUIDE, SEAL DAMPER	1	
11	65N-45321-00-00	PLATE	1	
12	93210-33M49-00	.O-RING	1	
13	93106-09014-00	.OIL SEAL	1	
14	6P2-44150-00-00	SHIFT CAM ASSY	1	

CONTINUED ON NEXT FRAME >

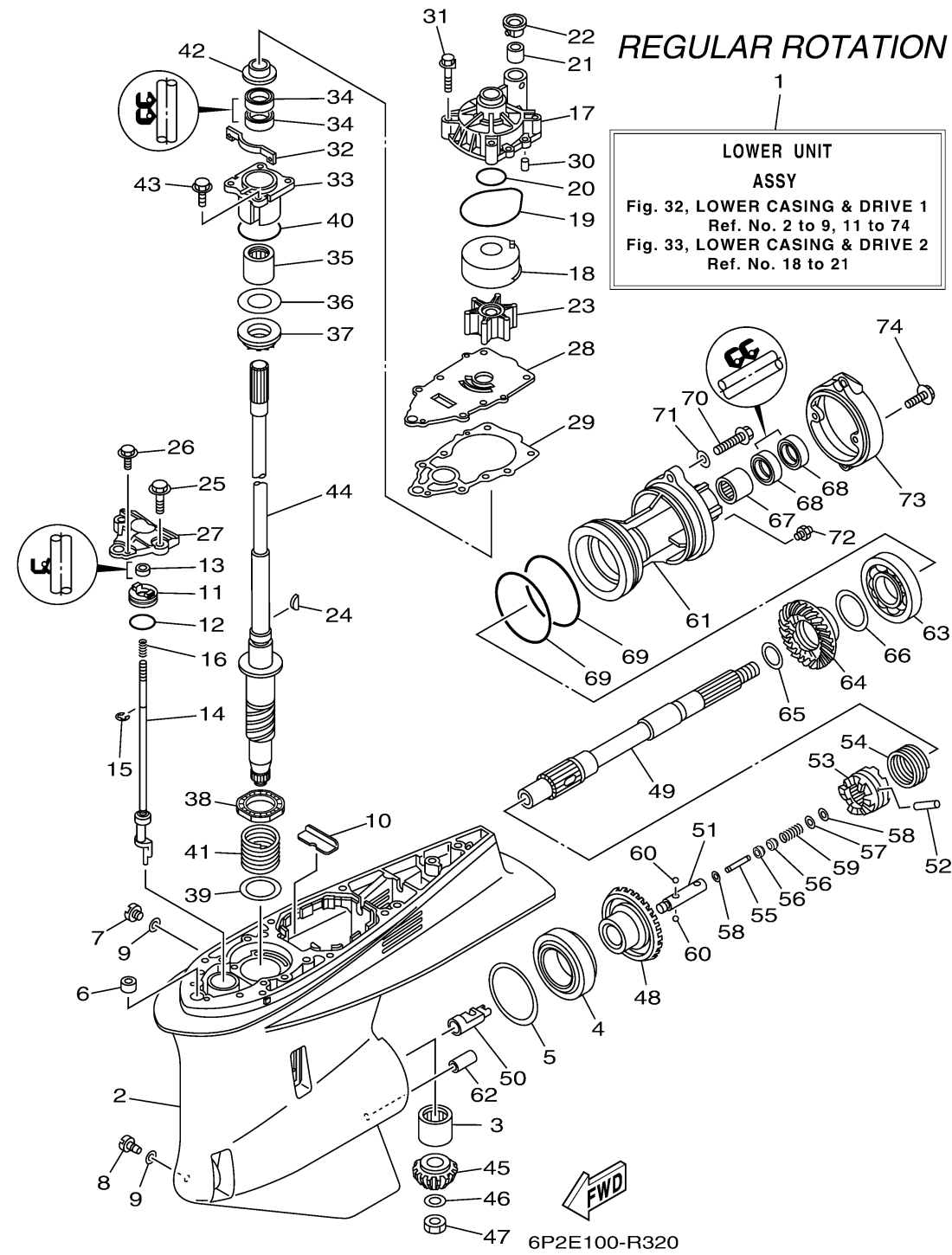
LOWER CASING DRIVE 1



Ref No.	Part Number	Description	Qty	Remarks
15	99001-08600-00	CIRCLIP	1	
16	90501-11M10-00	SPRING, COMPRESSION	1	
17	61A-44311-01-00	HOUSING, WATER PUMP	1	
18	61A-44322-02-00	.INSERT, CARTRIDGE	1	
19	93210-86M38-00	.O-RING	1	
20	93210-37160-00	.O-RING	1	
21	6E5-44365-00-00	.DAMPER, WATER SEAL 1	1	
22	6E5-44312-00-00	COVER, WATER PUMP HOUSING	1	
23	6E5-44352-01-00	.IMPELLER	1	
24	90280-04M05-00	.KEY, WOODRUFF	1	
25	97595-08530-00	BOLT, WITH WASHER	2	
26	97595-06516-00	BOLT, WITH WASHER	1	
27	60X-44312-00-00	COVER, WATER PUMP HOUSING	1	
28	6P2-44323-00-00	.OUTER PLATE, CARTRIDGE	1	
29	60X-44315-A0-00	.GASKET, WATER PUMP	1	
30	93606-12019-00	.PIN, DOWEL	2	
31	90119-08M14-00	.BOLT, WITH WASHER	4	
32	6P2-45723-00-00	PLATE, SEAL	1	
33	6P2-45331-00-9S	HOUSING, BEARING	1	
34	93101-28M16-00	.OIL SEAL	2	

CONTINUED ON NEXT FRAME >

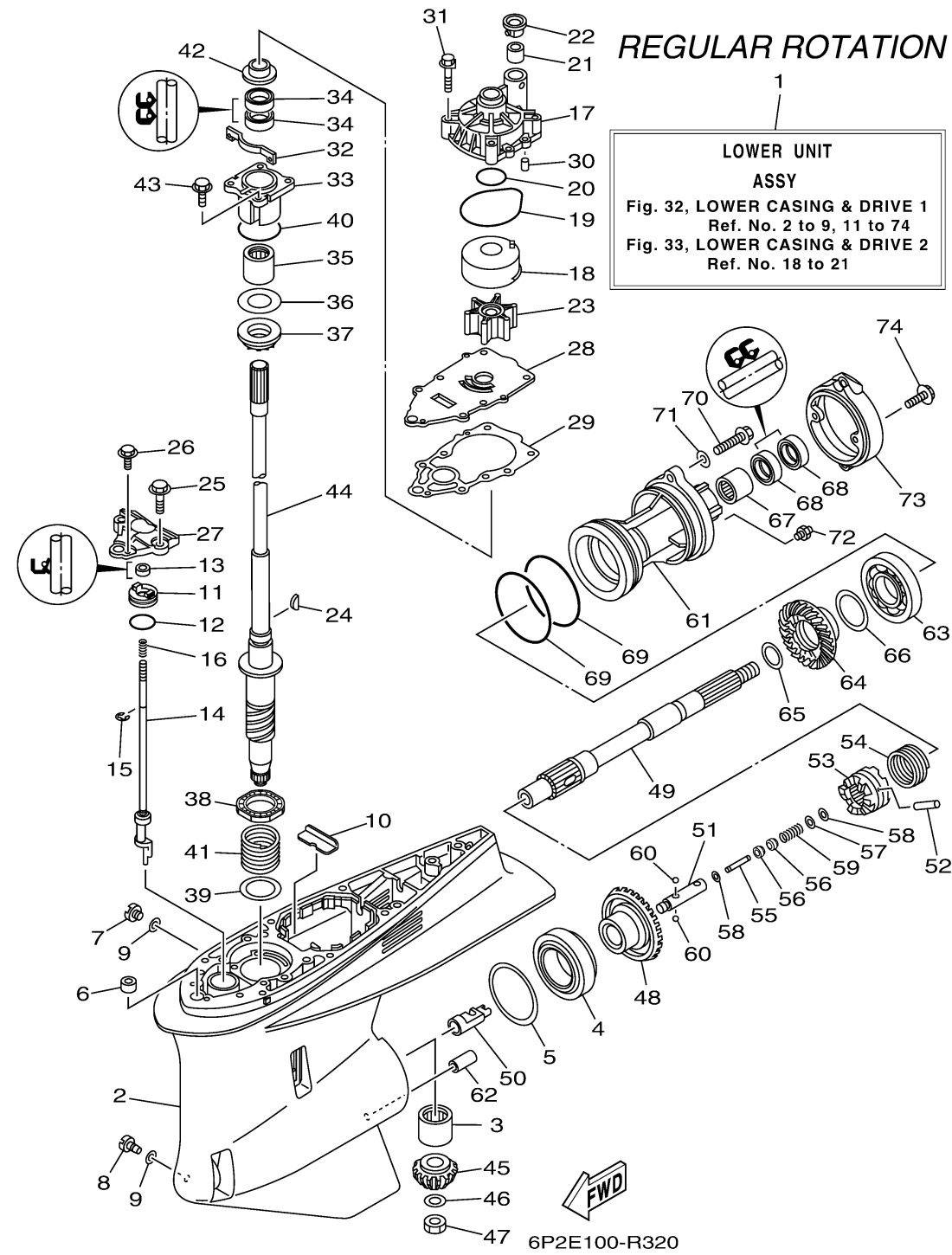
LOWER CASING DRIVE 1



Ref No.	Part Number	Description	Qty	Remarks
35	93317-330U2-00	BEARING	1	
36	61A-45587-00-00	SHIM (T:0.10MM)	1	UR
36	61A-45587-10-00	SHIM (T:0.12MM)	1	UR
36	61A-45587-20-00	SHIM (T:0.15MM)	1	UR
36	61A-45587-30-00	SHIM (T:0.18MM)	1	UR
36	61A-45587-40-00	SHIM (T:0.30MM)	1	UR
36	61A-45587-50-00	SHIM (T:0.40MM)	1	UR
36	61A-45587-60-00	SHIM (T:0.50MM)	1	UR
37	93341-93020-00	BEARING	1	
38	93341-34019-00	BEARING	1	
39	90201-42014-00	WASHER, PLATE	1	
40	93210-55M14-00	.O-RING	1	
41	90501-450A2-00	SPRING, COMPRESSION	1	
42	6E5-45344-00-00	COVER, OIL SEAL	1	
43	97595-08525-00	BOLT, WITH WASHER	4	
44	6P2-45501-01-00	DRIVE SHAFT COMP.	1	X(25.3")
45	6P2-45551-02-00	PINION (15T)	1	
46	90201-16M00-00	WASHER, PLATE	1	
47	90170-16M19-00	NUT	1	
48	6P2-45560-01-00	GEAR 1 (30T)	1	

CONTINUED ON NEXT FRAME >

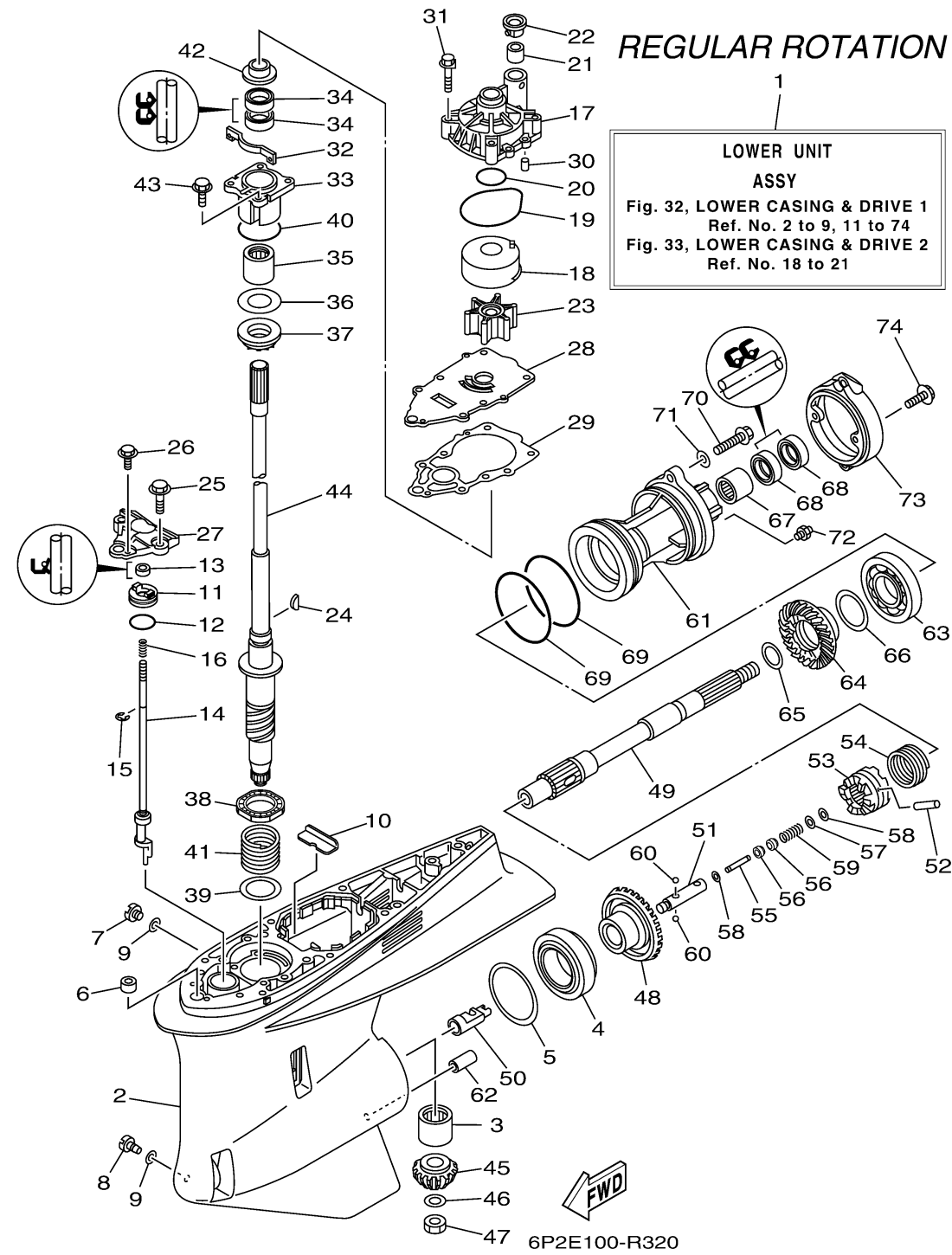
LOWER CASING DRIVE 1



Ref No.	Part Number	Description	Qty	Remarks
49	69J-45611-00-00	SHAFT, PROPELLER	1	
50	61A-45641-02-00	SHIFTER	1	
51	61A-45634-01-00	SLIDE, SHIFT	1	
52	61A-45632-00-00	PIN, CROSS	1	
53	69J-45631-00-00	CLUTCH, DOG	1	
54	61A-45633-00-00	RING, CROSS PIN	1	
55	6H1-45668-00-00	SHAFT, FREE 1	1	
56	61A-45635-00-00	PLUNGER, SHIFT	2	
57	90201-02M00-00	WASHER, PLATE	1	
58	90183-02M03-00	NUT, SPRING	2	
59	90501-10M77-00	SPRING, COMPRESSION	1	
60	93501-04011-00	BALL	2	
61	6D0-45332-00-CA	HOUSING, BEARING	1	
62	99590-10114-00	PIN, DOWEL	1	
63	93306-210U0-00	BEARING	1	
64	6P2-45571-00-00	GEAR 2 (30T)	1	
65	6P2-45578-00-00	SHIM (T:1.80MM)	1	UR
65	6P2-45578-10-00	SHIM (T:1.90MM)	1	UR
65	6P2-45578-20-00	SHIM (T:2.00MM)	1	UR
65	6P2-45578-30-00	SHIM (T:2.10MM)	1	UR

CONTINUED ON NEXT FRAME >

LOWER CASING DRIVE 1



Ref No.	Part Number	Description	Qty	Remarks
65	6P2-45578-40-00	SHIM (T:2.20MM)	1	UR
66	61A-45577-00-00	SHIM (T:0.10MM)	1	UR
66	61A-45577-10-00	SHIM (T:0.12MM)	1	UR
66	61A-45577-20-00	SHIM (T:0.15MM)	1	UR
66	61A-45577-30-00	SHIM (T:0.18MM)	1	UR
66	61A-45577-40-00	SHIM (T:0.30MM)	1	UR
66	61A-45577-50-00	SHIM (T:0.40MM)	1	UR
66	61A-45577-60-00	SHIM (T:0.50MM)	1	UR
67	93315-43064-00	BEARING	1	
68	93101-30002-00	.OIL SEAL	2	
69	93211-04384-00	.O-RING	2	
70	90105-08049-00	BOLT, FLANGE	2	
71	90201-08023-00	WASHER, PLATE	2	
72	93700-09M00-00	NIPPLE, GREASE	1	
73	6D0-45361-00-8D	CAP, LOWER CASING	1	
74	97595-08520-00	BOLT, WITH WASHER	2	