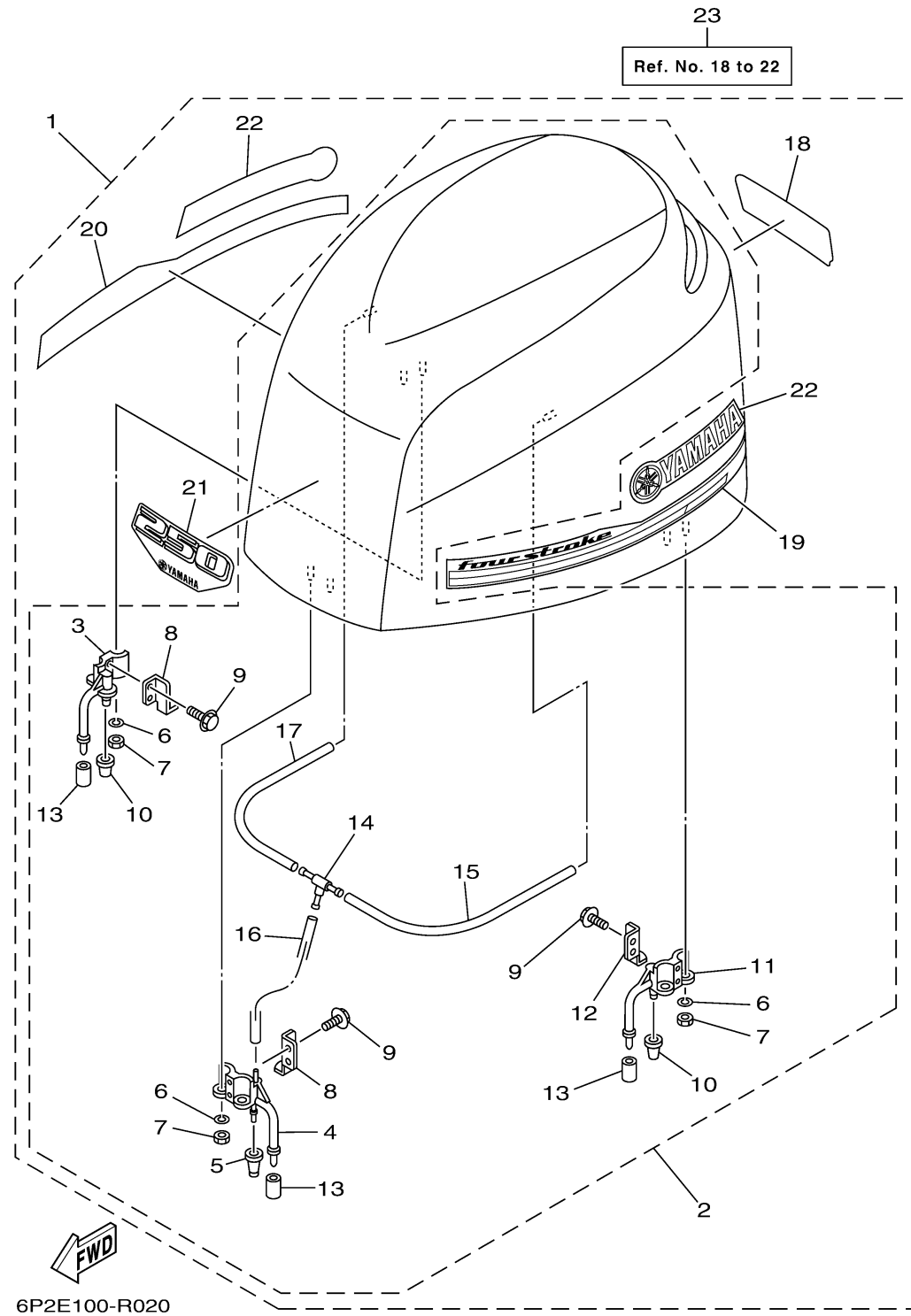


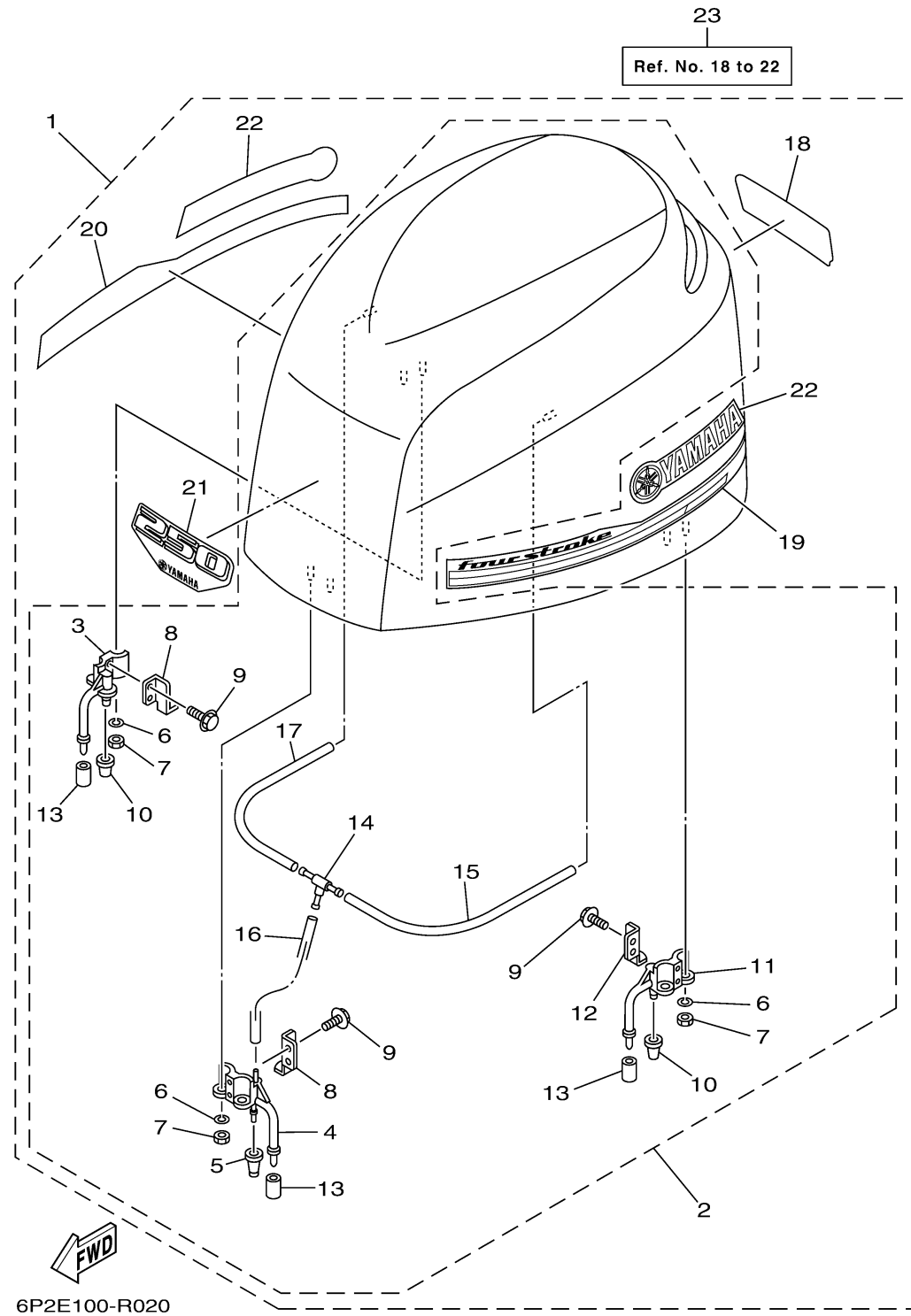
TOP COWLING



Ref No.	Part Number	Description	Qty	Remarks
1	6P2-42610-30-00	TOP COWLING ASSY	1	
2	6P2-4261A-00-00	..TOP COWLING W/O GRAPHICS	1	
3	68F-42647-01-00	...HOLDER, CLAMP BAND	1	
4	69J-42647-01-00	...HOLDER, CLAMP BAND	1	
5	69J-42663-00-00	...DAMPER 2	1	
6	92990-06100-00	...WASHER, SPRING	6	
7	95380-06600-00	.. NUT, HEXAGON	6	
8	60V-42651-01-00	...HOOK	2	
9	97595-06516-00	.. BOLT, WITH WASHER	6	
10	68F-42663-00-00	...DAMPER 2	2	
11	68F-42648-01-00	...HOLDER, CLAMP BAND	1	
12	60V-42652-00-00	...HOOK	1	
13	67F-13448-00-00	...CAP	3	
14	69J-24378-00-00	...PIPE, JOINT 3	1	
15	90445-11M27-00	...HOSE (L240)	1	
16	90445-11699-00	...HOSE (L500)	1	
17	90445-11182-00	...HOSE (L300)	1	
18	6P2-42678-20-00	..GRAPHIC, REAR	1	
19	6AS-42675-00-00	..GRAPHIC, SIDE 1	1	
20	6AS-42676-00-00	..GRAPHIC, SIDE 2	1	

CONTINUED ON NEXT FRAME >

TOP COWLING



Ref No.	Part Number	Description	Qty	Remarks
21	6P2-42677-20-00	. .GRAPHIC, FRONT	1	
22	63P-42681-20-00	. .MARK, COWLING	2	
23	6P2-W4267-00-00	GRAPHIC SET, TOP COWLING	1	AP FOR USA