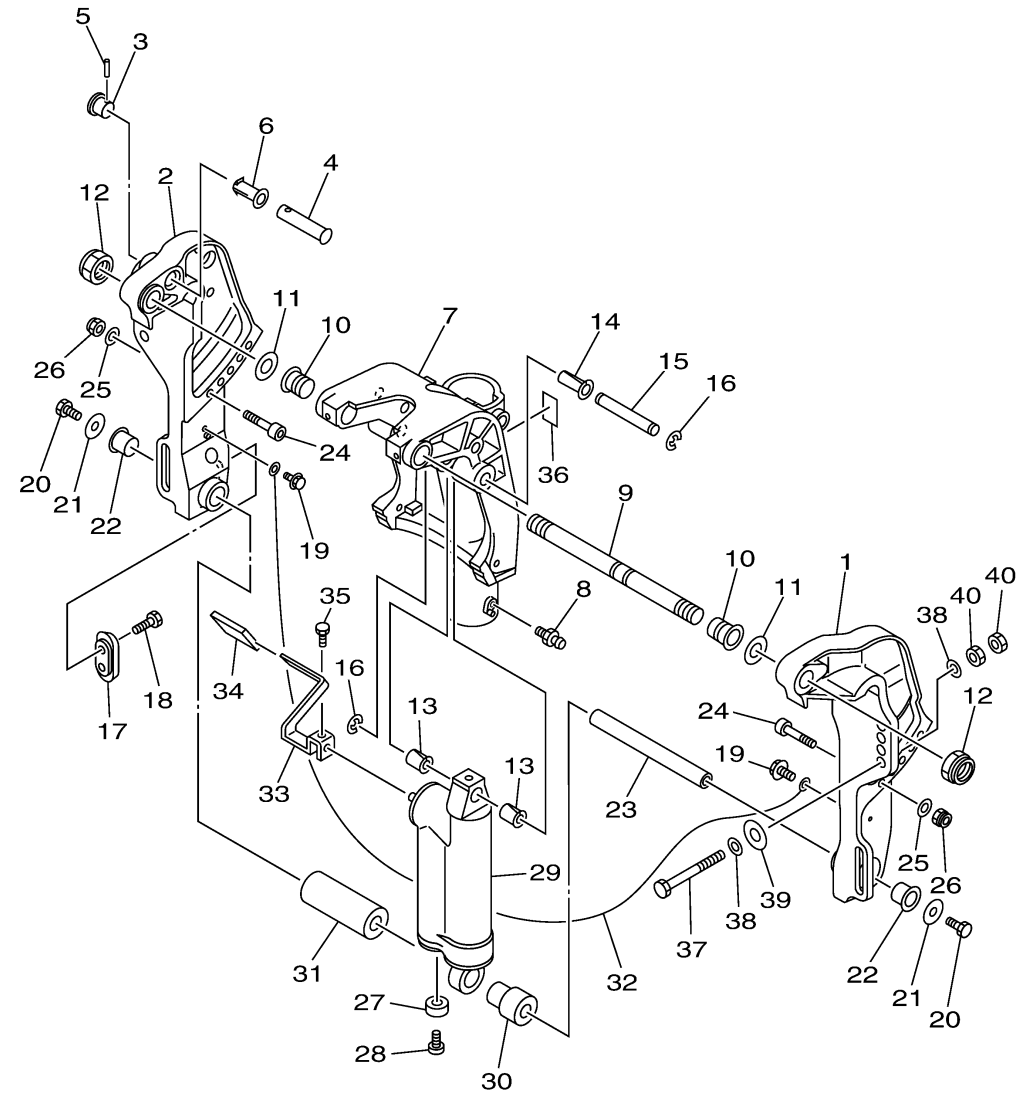


# BRACKET 1



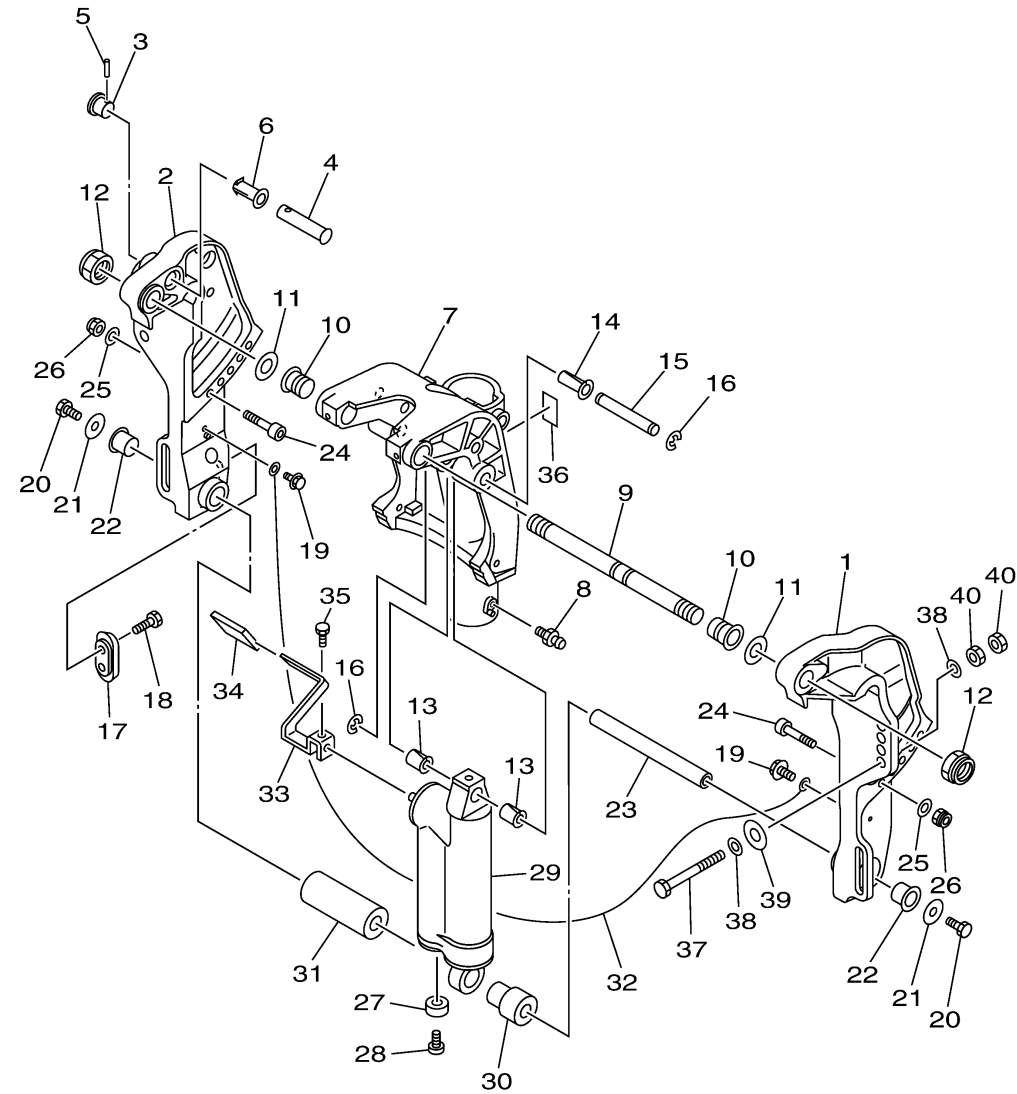
Ref No.	Part Number	Description	Qty	Remarks
1	65W-43111-10-8D	BRACKET, CLAMP 1	1	
2	6BG-43112-10-8D	BRACKET, CLAMP 2	1	
3	65W-43192-00-00	KNOB, STOPPER	1	
4	65W-43191-00-00	SHAFT, STOPPER	1	
5	91690-30018-00	PIN, SPRING	1	
6	90386-14MA1-00	BUSH	1	
7	65W-43311-11-8D	BRACKET, SWIVEL 1	1	L(21.7")
8	93700-06M03-00	NIPPLE, GREASE	1	
9	63D-43131-01-00	BOLT, CLAMP BRACKET	1	
10	90386-22M15-00	BUSH	2	
11	90201-22M03-00	WASHER, PLATE	2	
12	90185-22043-00	NUT, SELF-LOCKING	2	
13	90381-12M11-00	BUSH, SOLID	2	
14	90386-12M98-00	BUSH	1	
15	90249-12M38-00	PIN	1	
16	99080-10600-00	CIRCLIP	2	
17	65W-45251-00-00	ANODE	1	
18	90101-06020-00	BOLT	2	
19	97595-06514-00	BOLT, WITH WASHER	2	
20	97080-08016-00	BOLT	2	

CONTINUED ON NEXT FRAME >



6BPB10B-S240

# BRACKET 1



Ref No.	Part Number	Description	Qty	Remarks
21	90201-08M00-00	WASHER, PLATE	2	
22	90386-18M44-00	BUSH	2	
23	90249-18M35-00	PIN	1	
24	90110-10M02-00	BOLT, HEXAGON SOCKET HEAD	2	
25	92995-10600-00	WASHER	2	
26	90185-10M13-00	NUT, SELF-LOCKING	2	
27	663-45251-00-00	ANODE	1	
28	90152-06M01-00	SCREW, COUNTERSUNK	1	
29	6BP-43107-00-8D	SHOCK ABSORBER SUB-ASSY	1	
30	90386-18MA5-00	BUSH	1	
31	90387-18M03-00	COLLAR	1	
32	67C-82127-20-00	WIRE, LEAD 2	1	
33	67C-43631-00-00	LEVER, TILT	1	
34	682-43318-01-00	.COVER	1	
35	97095-06010-00	BOLT	1	
36	63D-43691-00-00	INDICATOR, TILT	1	
37	90101-12M65-00	BOLT	4	
38	90201-12062-00	WASHER, PLATE	8	
39	90201-12426-00	WASHER, PLATE	4	
40	95380-12600-00	NUT	8	



6BPB10B-S240