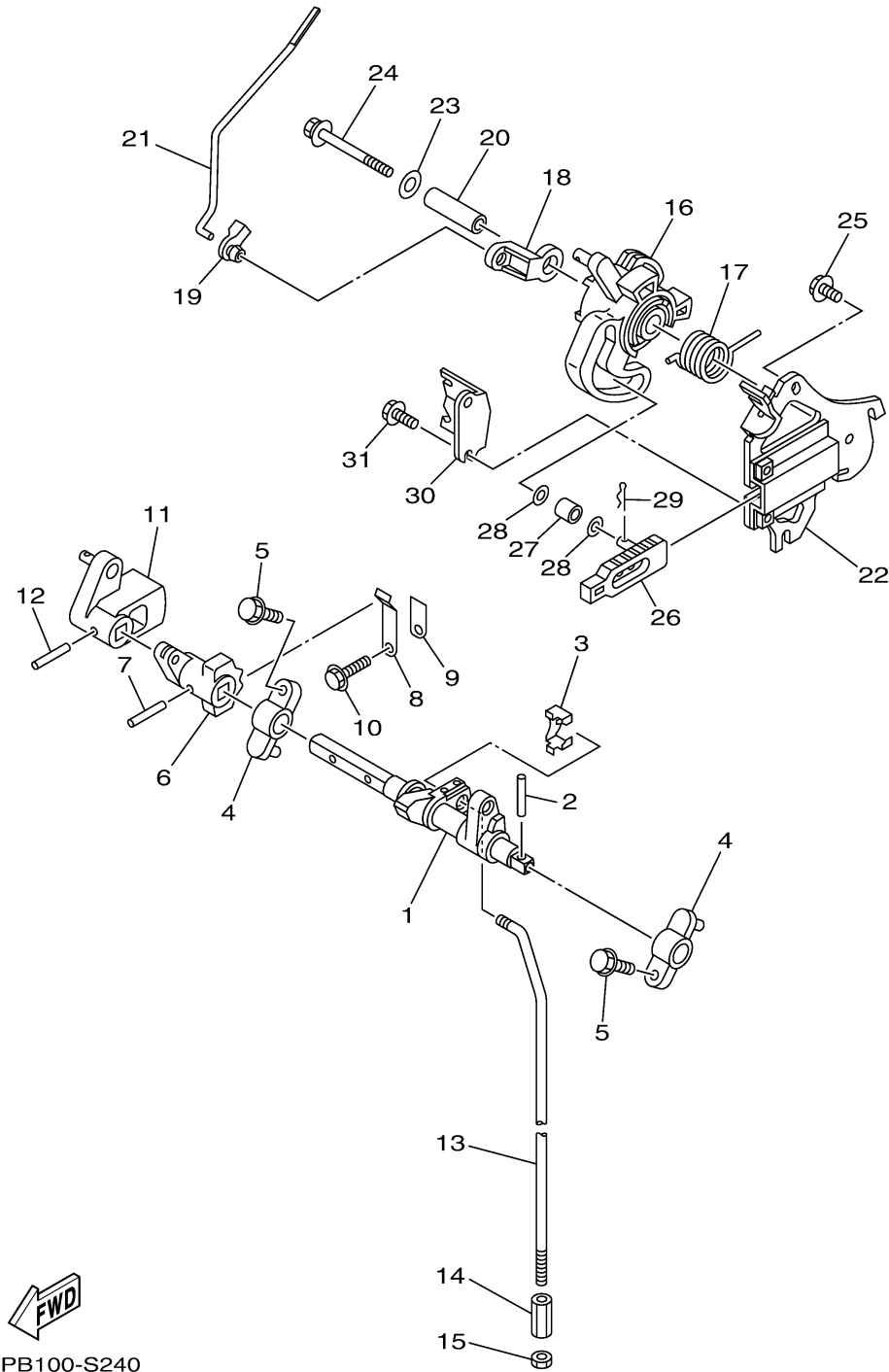


# CONTROL

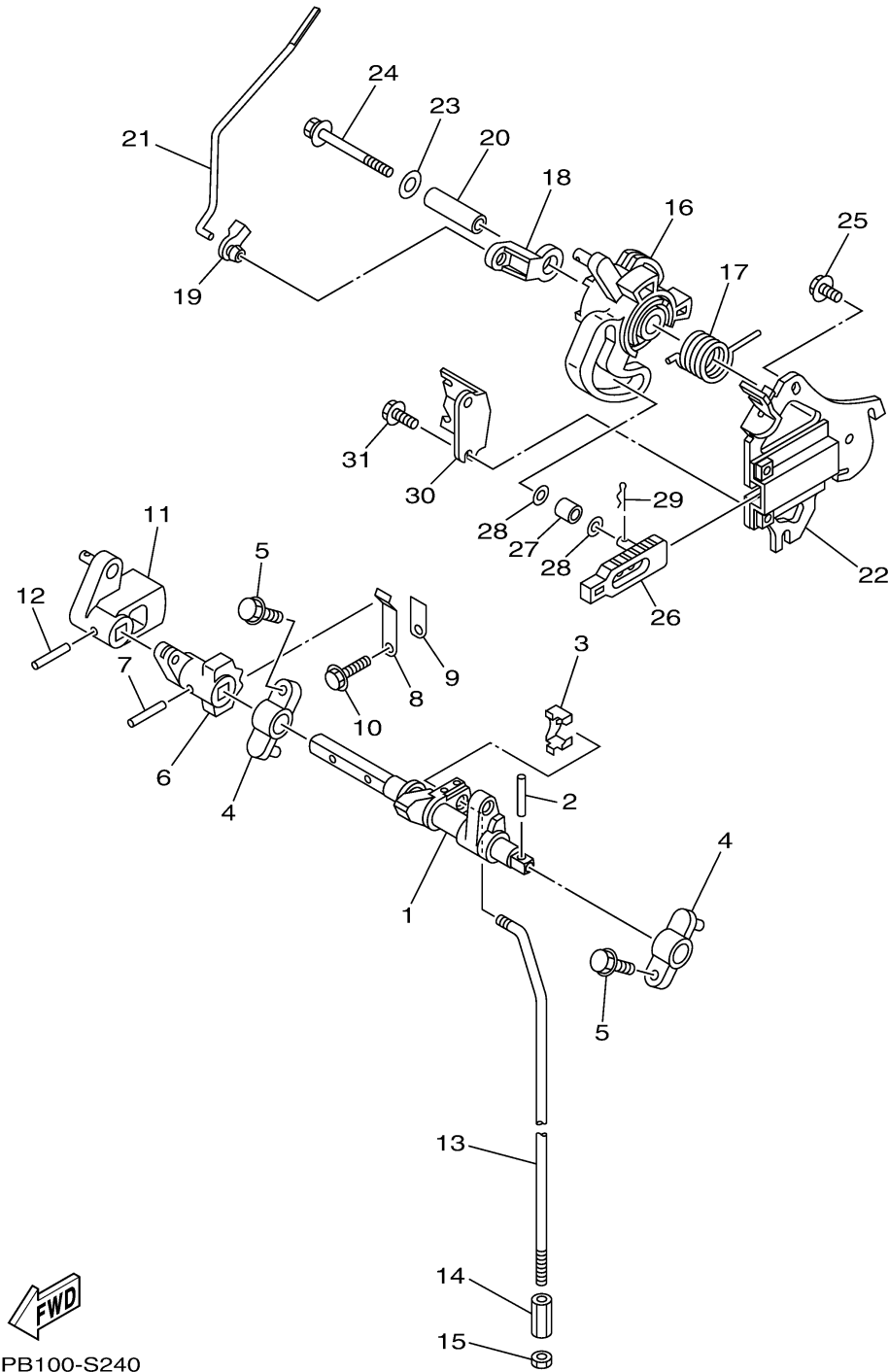


6BPB100-S240

Ref No.	Part Number	Description	Qty	Remarks
1	6BL-44121-01-00	LEVER, SHIFT ROD	1	
2	90254-03M05-00	PIN, SPRING	1	
3	6AH-26364-00-00	END, CABLE 2	1	
4	6G1-41662-01-94	BRACKET 2	2	
5	97595-06520-00	BOLT, WITH WASHER	2	
6	6BL-44173-00-00	LEVER, SHIFT CONTROL	1	
7	90254-03M05-00	PIN, SPRING	1	
8	65W-44116-00-00	SPRING	1	
9	66R-44114-00-00	STOPPER	1	
10	95895-06014-00	BOLT, FLANGE	1	
11	6BL-44142-00-00	JOINT	1	
12	90254-03M05-00	PIN, SPRING	1	
13	6BP-44143-10-00	ROD, SHIFT 1	1	L(21.7")
14	90170-06015-00	NUT	1	
15	95380-06700-00	NUT	1	
16	6AH-41638-00-00	PULLEY	1	
17	90508-20M44-00	SPRING, TORSION	1	
18	6BL-41283-00-00	LEVER, FREE ACCEL.	1	
19	6J8-41262-00-00	JOINT, CHOKE LEVER	1	
20	90387-06139-00	.COLLAR	1	

CONTINUED ON NEXT FRAME >

# CONTROL



6BPB100-S240

Ref No.	Part Number	Description	Qty	Remarks
21	6BP-41211-00-00	LINK, ACCEL.	1	
22	6BL-14571-00-00	BRACKET, THROTTLE	1	
23	90201-06M31-00	.WASHER, PLATE	1	
24	97595-06555-00	BOLT, WITH WASHER	1	
25	97595-06514-00	BOLT, WITH WASHER	2	
26	6AH-44167-10-00	PLUNGER, SHIFT CAM	1	
27	62Y-42171-00-00	BUSHING	1	
28	90201-05M04-00	WASHER, PLATE	2	
29	90468-10005-00	CLIP	1	
30	6AH-14497-00-00	STAY, THROTTLE WIRE	1	
31	97595-06514-00	BOLT, WITH WASHER	2	