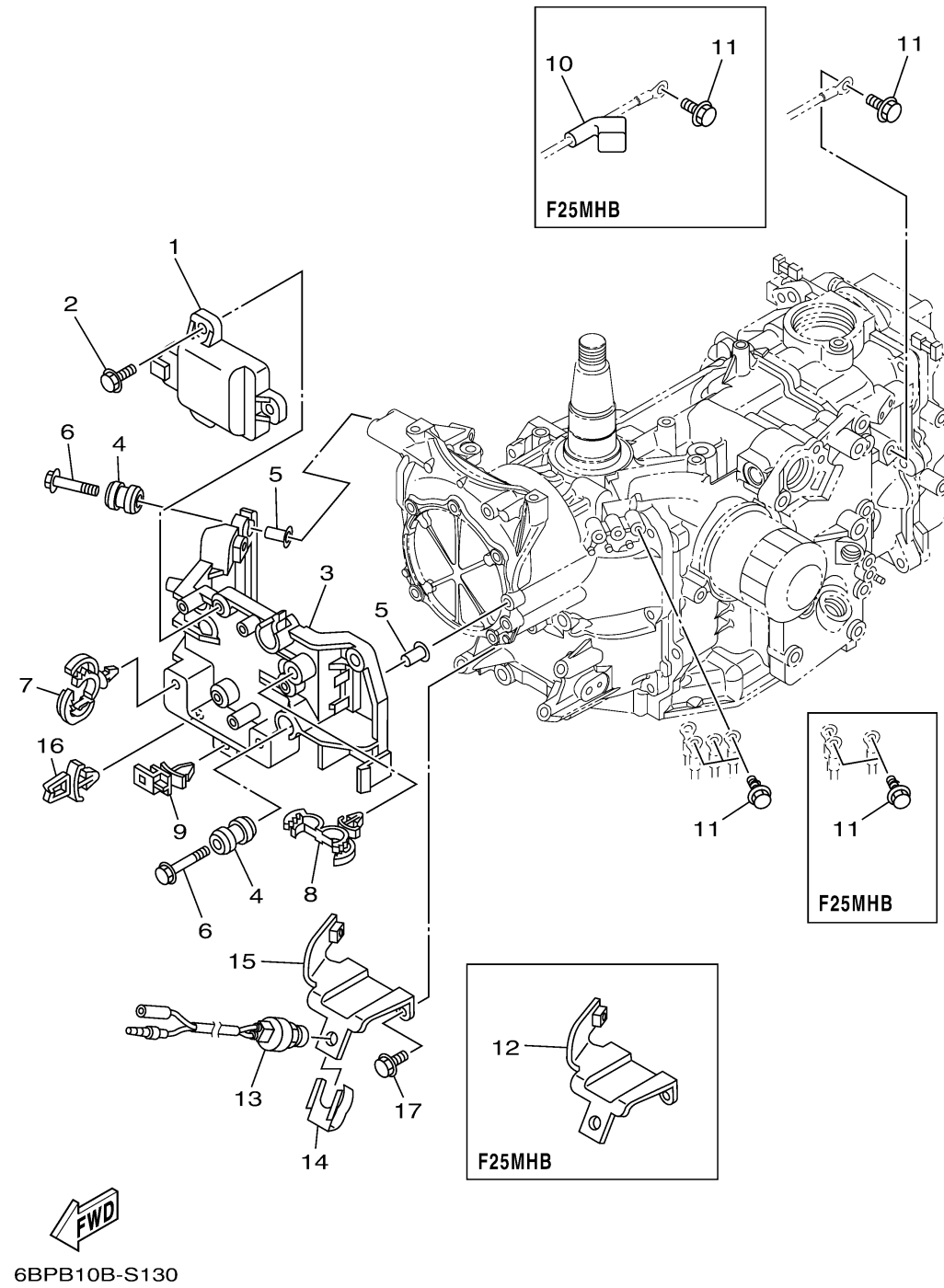


ELECTRICAL 1



Ref No.	Part Number	Description	Qty	Remarks
1	6BL-85540-00-00	C.D.I. UNIT ASSY	1	
2	97575-06520-00	BOLT, WITH WASHER	3	
3	6BL-81948-00-00	BRACKET	1	
4	6A0-82317-00-00	DAMPER, IGNITION COIL	4	
5	90387-06119-00	COLLAR	4	
6	95895-06030-00	BOLT, FLANGE	4	
7	90464-13249-00	CLAMP	0	
7	90464-20181-00	CLAMP	2	
8	90464-18246-00	CLAMP	2	
9	90464-12002-00	CLAMP	1	
10	6BL-82119-00-00	COVER, LEAD WIRE	0	
11	97595-06516-00	BOLT, WITH WASHER	4	
11	97595-06516-00	BOLT, WITH WASHER	0	
12	6BL-82554-00-00	STAY, NEUTRAL SWITCH	0	
13	6H3-82540-01-00	NEUTRAL SWITCH ASSY	1	
14	6BL-82555-00-00	DAMPER, MAIN SWITCH 1	1	
15	6BL-82554-00-00	STAY, NEUTRAL SWITCH	1	
16	90464-06001-00	CLAMP	1	
17	95895-06014-00	BOLT, FLANGE	2	