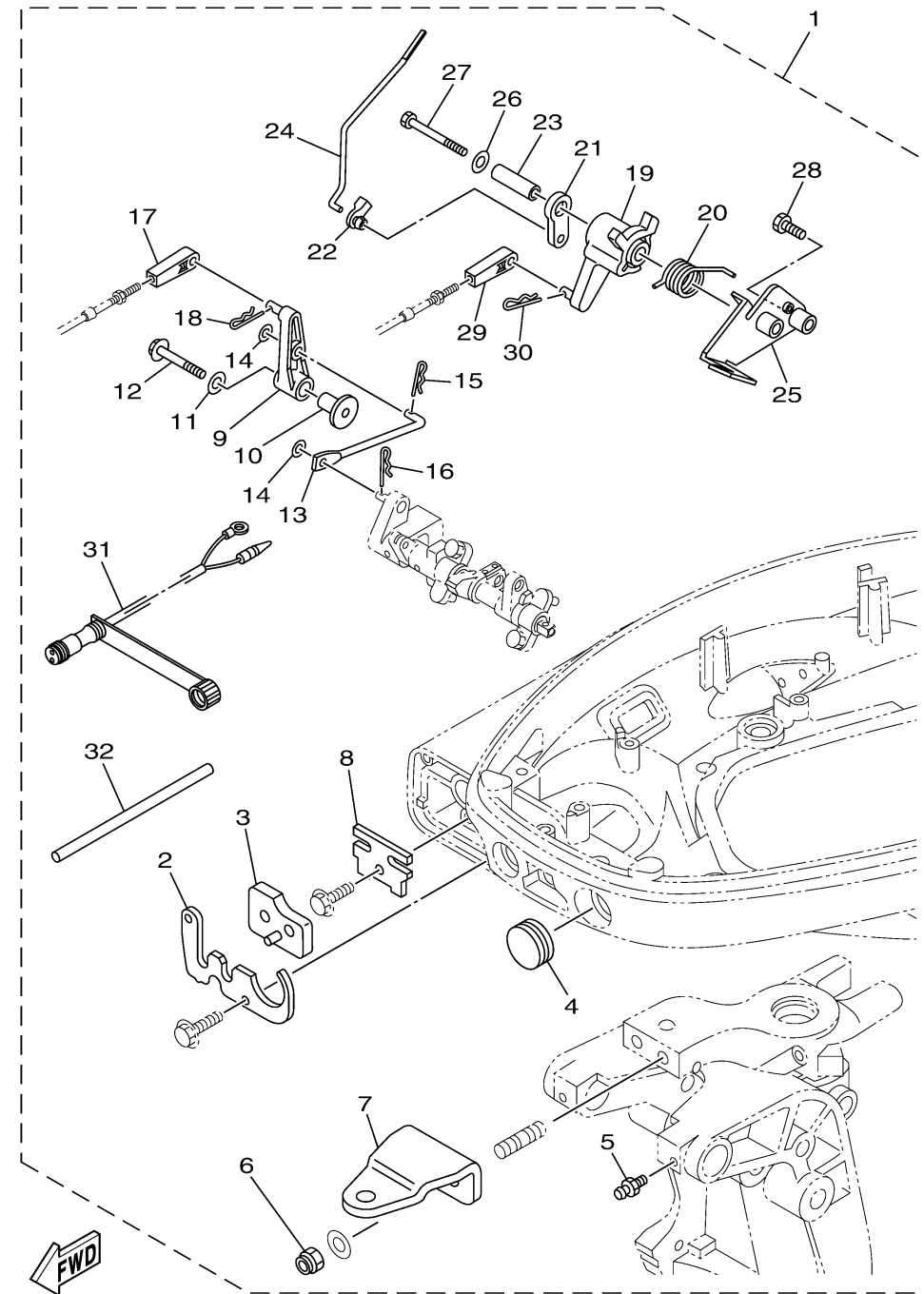


REMO CON ATTACHMENT

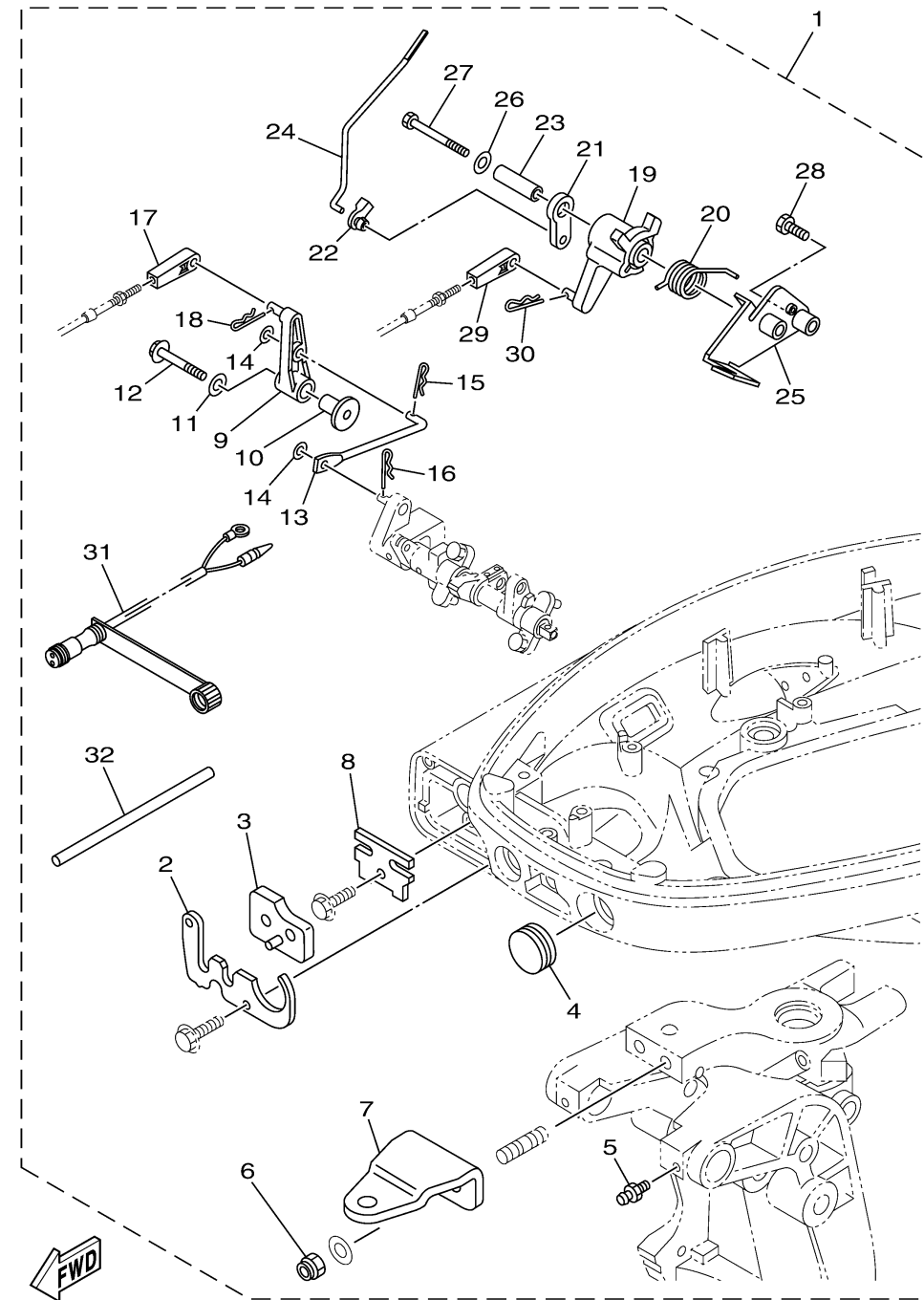


6BPA100-R250

Ref No.	Part Number	Description	Qty	Remarks
1	6BL-48501-00-00	REMOTE CONT. ATTACHMENT ASSY.	1	AP
2	6BL-42761-00-00	..STOPPER	1	
3	6BL-42727-00-00	..GROMMET	1	
4	65W-42726-10-00	..GROMMET	1	
5	93700-06M03-00	..NIPPLE, GREASE	2	
6	90185-10027-00	..NUT, SELF-LOCKING	2	
7	65W-48511-01-00	..HOOK, STEERING	1	
8	6BL-48538-00-00	..CLAMP, CABLE 1	1	
9	6BL-44125-00-00	..LEVER, SHIFT ROD	1	
10	90387-06M86-00	..COLLAR	1	
11	90201-06M31-00	..WASHER, PLATE	1	
12	97595-06535-00	..BOLT, WITH WASHER	1	
13	6BL-44192-00-00	..LINK, SHIFT ROD	1	
14	90201-05M06-00	..WASHER, PLATE	2	
15	90468-10005-00	..CLIP	1	
16	90468-18001-00	..CLIP	1	
17	6FM-48344-00-00	..CABLE END, REMOTE CONTROL	1	
18	90468-18008-00	..CLIP	1	
19	6BL-41638-00-00	..PULLEY	1	
20	90508-20040-00	..SPRING, TORSION	1	

CONTINUED ON NEXT FRAME >

REMO CON ATTACHMENT



6BPA100-R250

Ref No.	Part Number	Description	Qty	Remarks
21	65W-41283-00-00	. .LEVER, FREE ACCEL.	1	
22	6J8-41262-00-00	. .JOINT, CHOKE LEVER	1	
23	90387-06139-00	. .COLLAR	1	
24	6BL-41211-00-00	. .LINK, ACCEL.	1	
25	6BL-14571-10-00	. .BRACKET, THROTTLE	1	
26	90201-06M31-00	. .WASHER, PLATE	1	
27	97095-06065-00	. .BOLT	1	
28	97095-06025-00	. .BOLT	1	
29	6FM-48344-00-00	. .CABLE END, REMOTE CONTROL	1	
30	90468-18008-00	. .CLIP	1	
31	6D5-84340-00-00	. .SOCKET CORD ASSY 1	1	
32	90446-09M42-00	. .HOSE (L160)	2	