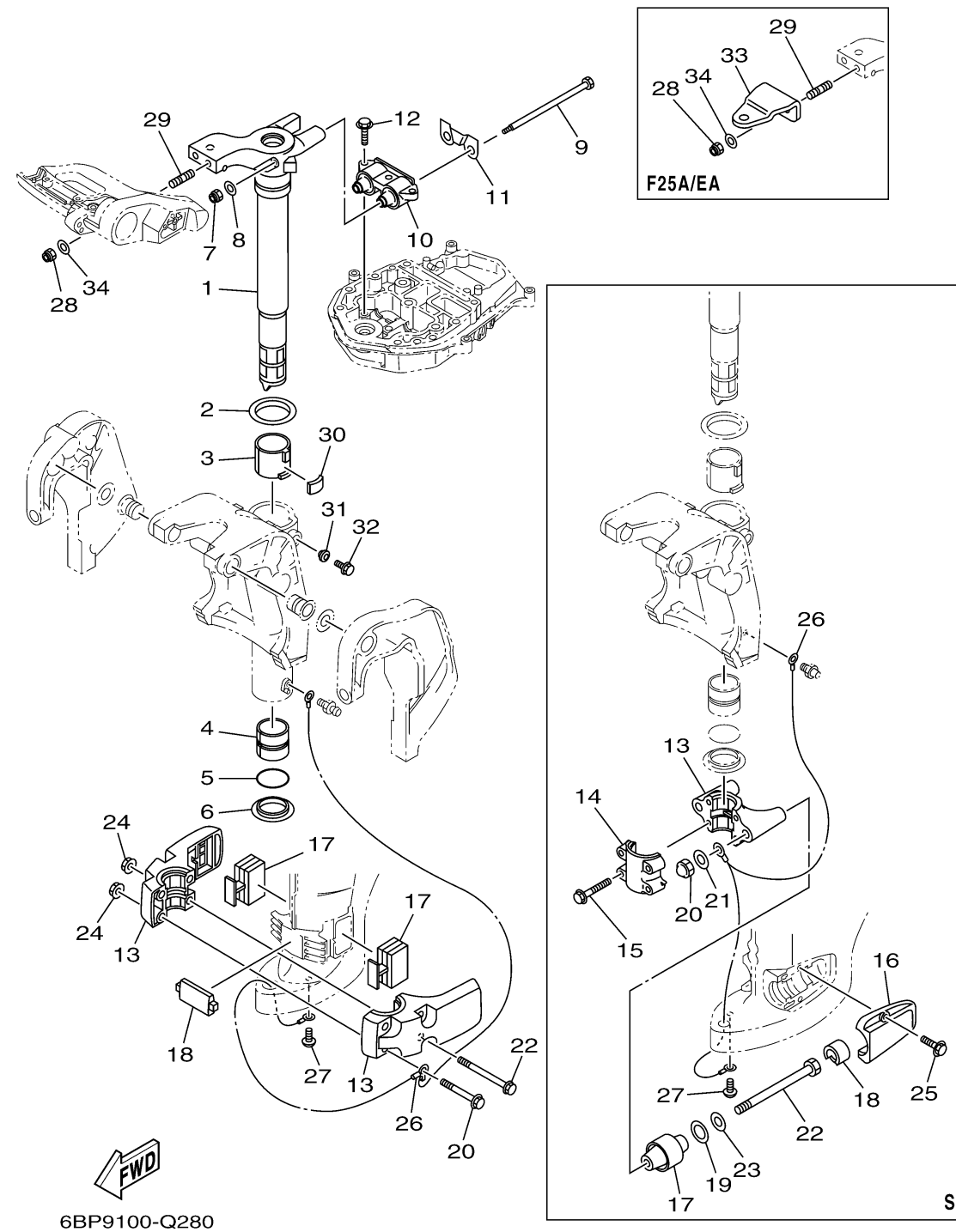


## BRACKET 3

Ref No.	Part Number	Description	Qty	Remarks
1	65W-42511-01-8D	BRACKET, STEERING	0	S(16.7")
1	65W-42511-11-8D	BRACKET, STEERING	1	L(21.7")
2	90209-52M00-00	WASHER	1	
3	90386-52M02-00	BUSH	1	
4	90386-44M03-00	BUSH	1	
5	93210-43MJ0-00	O-RING	1	
6	90386-44M99-00	BUSH	1	
7	90185-08018-00	NUT, SELF-LOCKING	2	
8	92995-08200-00	WASHER	2	
9	90101-08M86-00	BOLT	2	
10	67C-44514-20-00	MOUNT DAMPER, UPPER SIDE	1	
11	66T-44526-30-00	PLATE	1	
12	97575-08530-00	BOLT, WITH WASHER	3	
13	65W-44551-11-8D	HOUSING, LOWER MOUNT RUBBER 1	2	L(21.7")
13	6BP-44551-00-8D	HOUSING, LOWER MOUNT RUBBER 1	0	S(16.7")
14	6BP-44552-00-8D	HOUSING, LOWER MOUNT RUBBER 2	0	S(16.7")
15	97595-08545-00	BOLT, WITH WASHER	0	S(16.7")
16	63D-44552-01-8D	HOUSING, LOWER MOUNT RUBBER 2	0	S(16.7")
17	6BP-44555-00-00	MOUNT DAMPER, LOWER SIDE	0	S(16.7")
17	65W-44555-00-00	MOUNT DAMPER, LOWER SIDE	2	L(21.7")

CONTINUED ON NEXT FRAME >



## BRACKET 3

Ref No.	Part Number	Description	Qty	Remarks
18	65W-44575-01-00	DAMPER, LOWER MOUNT RUBBER	1	L(21.7")
18	64J-44575-00-00	DAMPER, LOWER MOUNT RUBBER	0	S(16.7")
19	90202-25M04-00	WASHER, PLATE	0	S(16.7")
20	95380-12800-00	NUT, CROWN	0	S(16.7")
20	97575-10580-00	BOLT, WITH WASHER	2	L(21.7")
21	90201-12M16-00	WASHER, PLATE	0	S(16.7")
22	90119-10M14-00	BOLT, WITH WASHER	2	L(21.7")
22	90109-12MA3-00	BOLT	0	S(16.7")
23	90201-13M19-00	WASHER, PLATE	0	S(16.7")
24	90179-10M33-00	NUT	4	L(21.7")
25	97575-08530-00	BOLT, WITH WASHER	0	S(16.7")
26	63D-82127-00-00	WIRE, LEAD 2	0	S(16.7")
26	65W-82127-10-00	WIRE, LEAD 2	1	L(21.7")
27	97885-06008-00	SCREW, PAN HEAD	1	
28	90185-10027-00	NUT, SELF-LOCKING	2	
29	90116-10064-00	BOLT, STUD	2	
30	648-42528-00-00	PLATE, FRICTION	1	
31	65W-43373-00-00	SEAL, DAMPER	1	
32	90105-08M76-00	BOLT, FLANGE	1	
33	65W-48511-01-00	HOOK, STEERING	1	

CONTINUED ON NEXT FRAME >

# BRACKET 3

Ref No.	Part Number	Description	Qty	Remarks
34	92995-10600-00	WASHER	0	
34	90201-10049-00	WASHER, PLATE	2	

