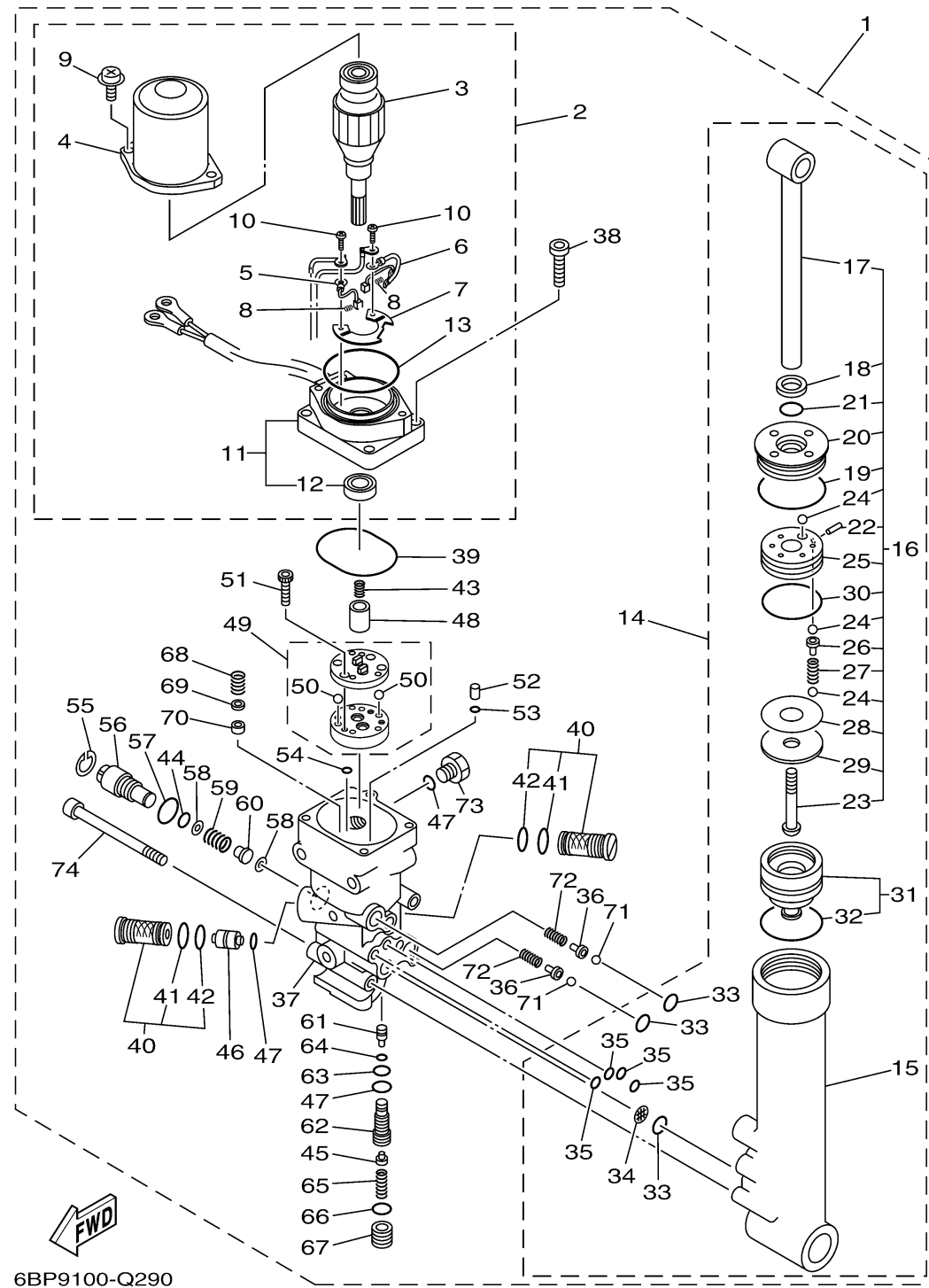


POWER TRIM TILT ASSY

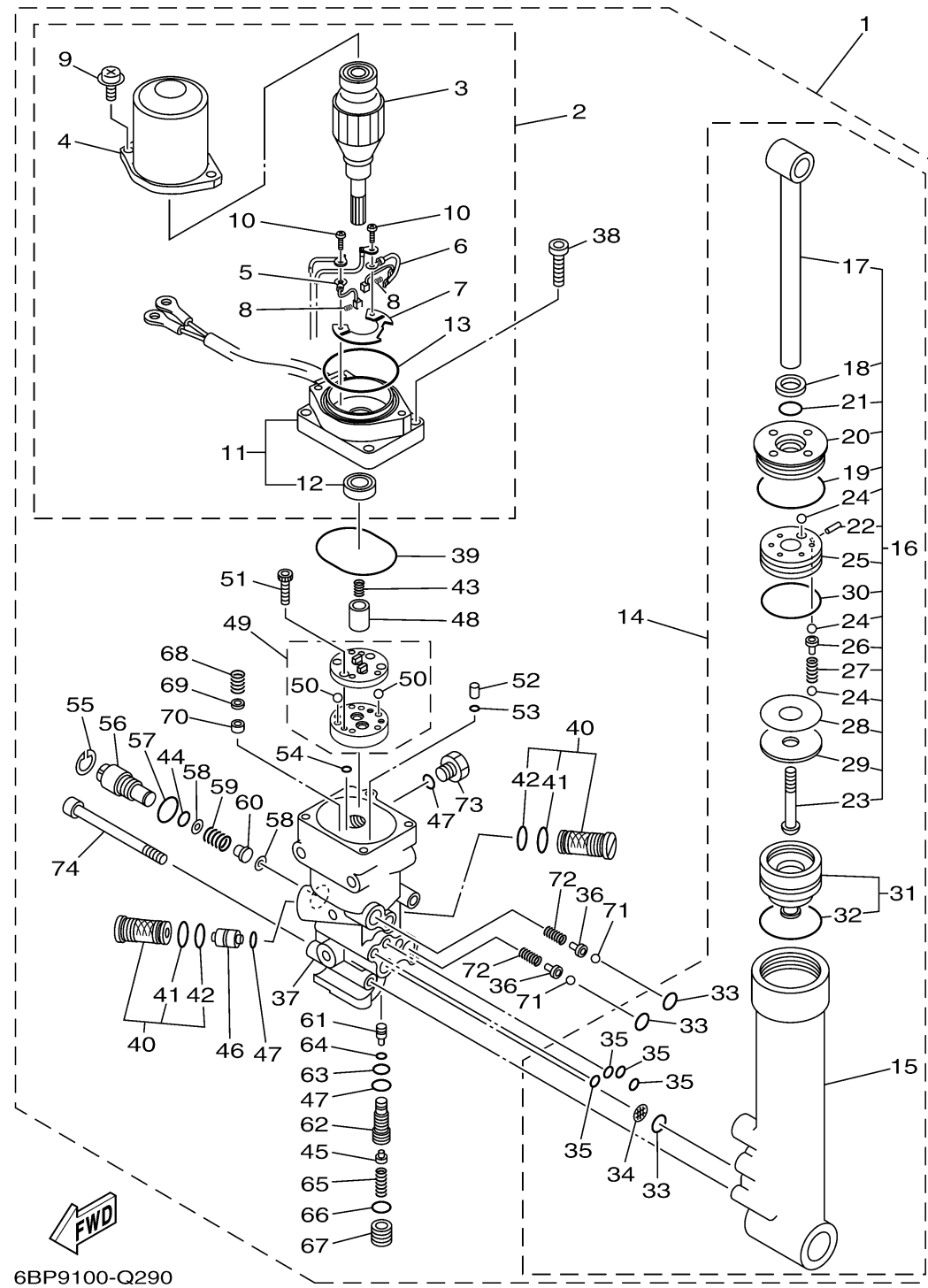


6BP9100-Q290

Ref No.	Part Number	Description	Qty	Remarks
1	65W-43800-23-8D	POWER TRIM & TILT ASSY	1	
2	65W-43880-21-00	..MOTOR ASSY	1	
3	67C-43805-10-00	...ARMATURE ASSY	1	
4	67C-43804-10-00	...STATOR ASSY	1	
5	67C-43892-10-00	...BRUSH 2	1	
6	67C-82181-10-00	...CIRCUIT BREAKER COMP.	1	
7	67C-4380F-10-00	...PLATE, BRUSH HOLDER	1	
8	67C-4386K-10-00	...SPRING, BRUSH	2	
9	67C-43879-10-00	...SCREW, WITH WASHER	2	
10	97602-04316-00	...SCREW, PAN HEAD WITH WASHER	2	
11	65W-43881-21-00	...FRAME, END	1	
12	67C-43882-10-00	...OIL SEAL	1	
13	67C-43862-10-00	...O-RING	1	
14	65W-43840-01-00	..POWER TILT ASSY	1	
15	65W-4380K-00-00	...CYLINDER, TILT SUB ASSY	1	
16	65W-43810-01-00	...TILT PISTON SUB ASSY	1	
17	65W-43801-01-00	...ROD	1	
18	65W-43812-00-00	...SEAL, DUST	1	
19	65W-43865-00-00	...O-RING	1	
20	65W-43811-01-00	...SCREW, CYLINDER END	1	

CONTINUED ON NEXT FRAME >

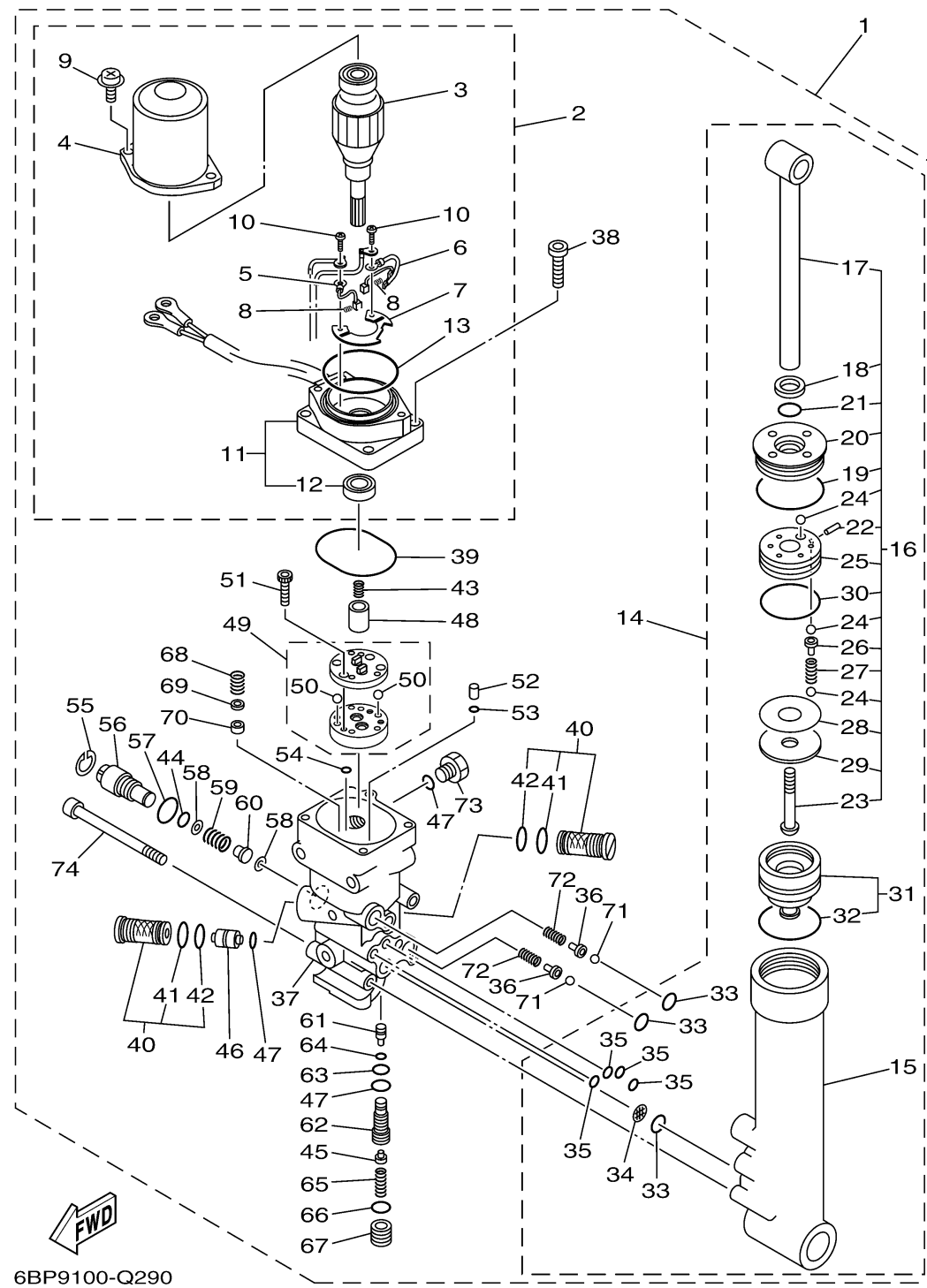
POWER TRIM TILT ASSY



Ref No.	Part Number	Description	Qty	Remarks
21	67C-43867-00-00	...O-RING	1	
22	91609-16012-00	...PIN, SPRING	1	
23	92012-10040-00	...BOLT, BUTTON HEAD	1	
24	93505-32038-00	...BALL	11	
25	65W-4385A-01-00	...PISTON, TILT	1	
26	65W-4386A-00-00	...PIN, ABSORBER VALVE	5	
27	65W-43857-00-00	...SPRING, ABSORBER VALVE	5	
28	15A-22442-00-00	...SHIM	1	UN
29	90201-10038-00	...WASHER, PLATE	1	
30	6H1-43862-00-00	...O-RING	1	
31	65W-4381B-00-00	...FREE PISTON SUB ASSY	1	
32	6H1-43861-10-00	...O-RING	1	
33	93210-11368-00	...O-RING	3	
34	69J-4381C-00-00	...FILTER 3	1	
35	93210-064A5-00	...O-RING	4	
36	65W-4386A-00-00	...PIN, ABSORBER VALVE	2	
37	65W-4380L-04-00	...HOUSING, TRIM & TILT SUB ASSY	1	
38	91380-06020-00	...BOLT	4	
39	93210-50768-00	...O-RING	1	
40	67F-43802-00-00	...VALVE SUB ASSY	2	

CONTINUED ON NEXT FRAME >

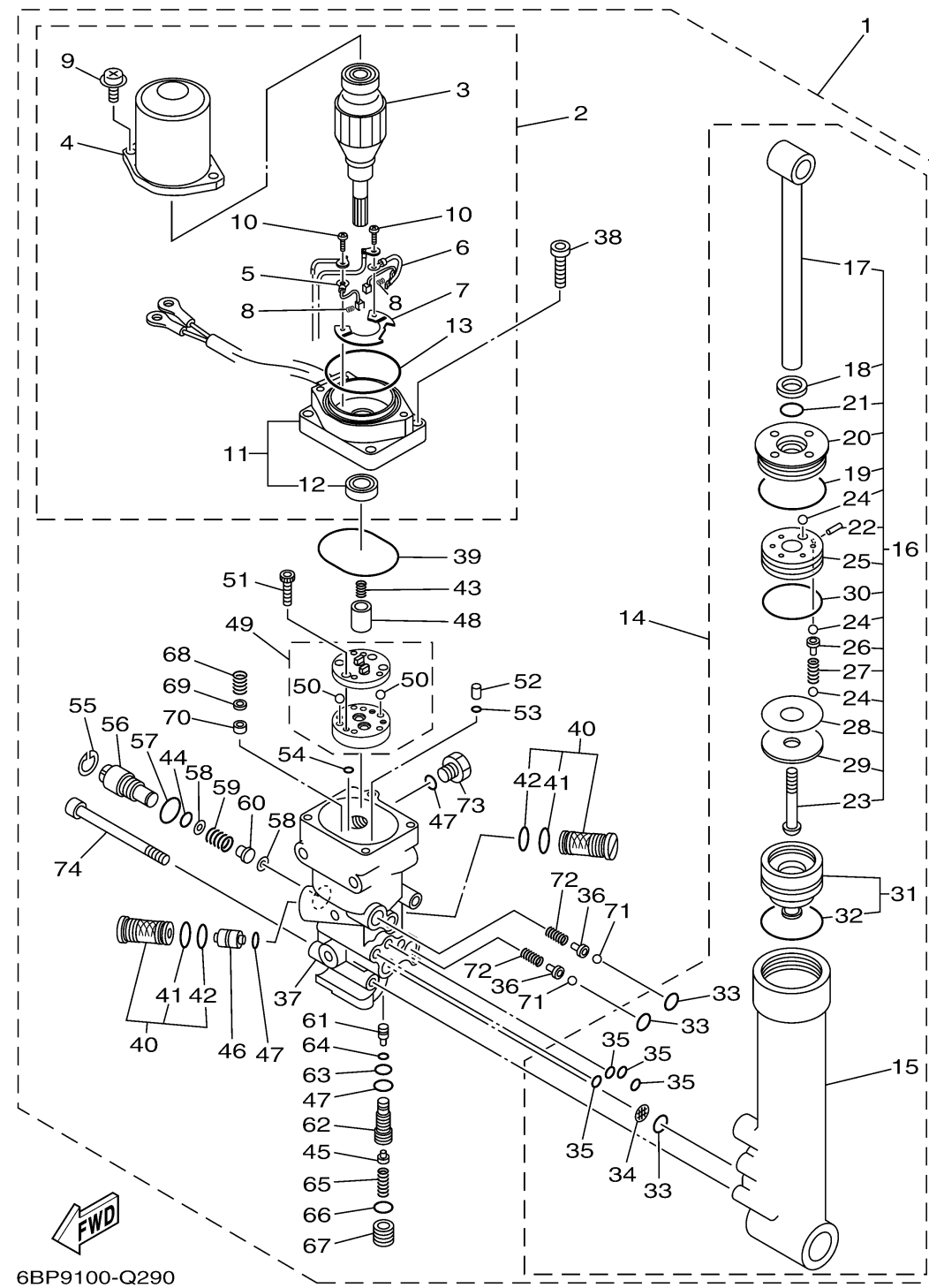
POWER TRIM TILT ASSY



Ref No.	Part Number	Description	Qty	Remarks
41	6H1-43866-01-00	...O-RING	1	
42	93210-12N52-00	...O-RING	1	
43	6T4-43853-00-00	..SPRING, MAIN VALVE	1	
44	93210-10M74-00	...O-RING	1	
45	6T4-43808-00-00	..SEAT VALVE COMP. 1	1	
46	62X-43841-00-00	..PISTON, SHUTTLE	1	
47	93210-09165-00	..O-RING	3	
48	65W-43831-00-00	..CONNECTOR, SHAFT	1	
49	65W-43830-00-00	..GEAR PUMP ASSY	1	
50	93505-32038-00	...BALL	2	
51	91318-04025-00	..BOLT	4	
52	65W-43817-00-00	..FILTER 2	2	
53	93210-04N50-00	..O-RING	2	
54	93210-04N51-00	..O-RING	2	
55	6H1-43875-00-00	..RING, SNAP	1	
56	6H1-43845-00-00	..SCREW, MANUAL RELEASE	1	
57	6D8-43863-00-00	..O-RING	1	
58	6H1-43847-00-00	..SEAT, MANUAL VALVE	2	
59	65W-43854-00-00	..SPRING, MANUAL RELEASE	1	
60	65W-4382A-00-00	..ADAPTOR 1	1	

CONTINUED ON NEXT FRAME >

POWER TRIM TILT ASSY



Ref No.	Part Number	Description	Qty	Remarks
61	65W-43844-00-00	..PIN, VALVE SUPPORT	1	
62	65W-43851-00-00	..SEAT, RELIEF VALVE	1	
63	93210-08006-00	..O-RING	1	
64	93210-03478-00	..O-RING	1	
65	65W-43855-00-00	..SPRING, UP RELIEF	1	
66	93210-11073-00	..O-RING	1	
67	65W-43843-00-00	..SCREW, VALVE LOCK	1	
68	6H1-43856-10-00	..SPRING, DOWN RELIEF	1	
69	6H1-43844-10-00	..PIN, VALVE SUPPORT	1	
70	6H1-4384F-10-00	..SEAL, MAIN VALVE	1	
71	93501-08001-00	..BALL	2	
72	65W-43853-00-00	..SPRING, MAIN VALVE	2	
73	6H1-43829-00-00	..PLUG, RESERVOIR	1	
74	62X-43878-01-00	..BOLT, SOCKET	3	