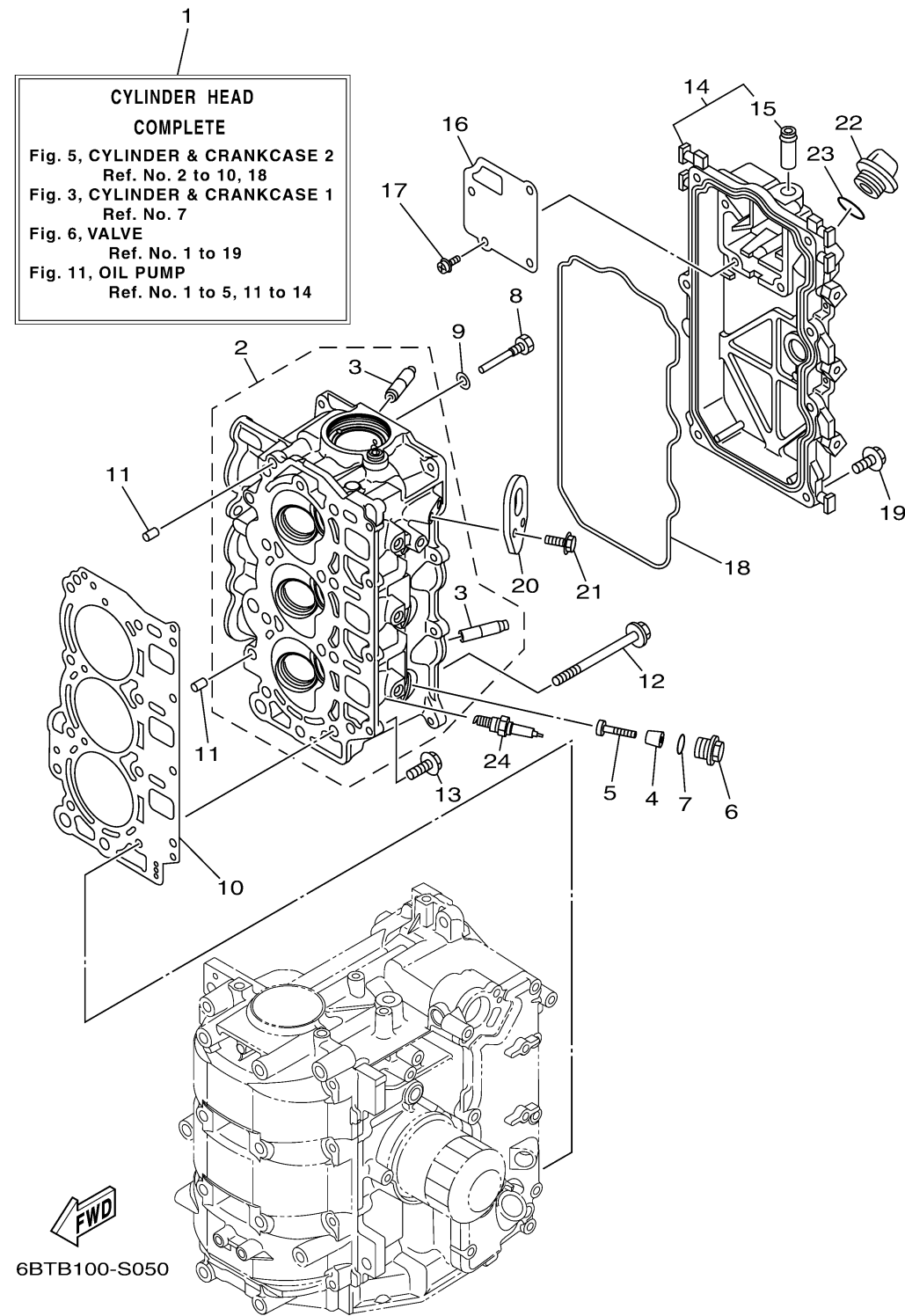


CYLINDER CRANKCASE 2

Ref No.	Part Number	Description	Qty	Remarks
1	6BG-W009A-02-9S	CYLINDER HEAD COMPLETE	1	
2	6BG-11111-10-9S	HEAD, CYLINDER 1	1	
3	62Y-11133-30-00	. .GUIDE, VALVE 1	6	
4	6G8-11325-00-00	ANODE	3	
5	98980-05025-00	SCREW, BIND	3	
6	6G8-11197-A0-00	PLUG, BLIND	3	
7	93210-13M63-00	.O-RING	3	
8	90109-06M65-00	BOLT	1	
9	90430-06014-00	.GASKET	1	
10	6BG-11181-00-00	.GASKET, CYLINDER HEAD 1	1	
11	99530-08012-00	PIN, DOWEL	2	
12	90105-09009-00	BOLT, FLANGE	8	
13	90119-06MA3-00	BOLT, WITH WASHER	4	
14	6BG-11191-00-9S	COVER, CYLINDER HEAD 1	1	
15	62Y-14485-00-00	. .PIPE, JOINT	1	
16	6BG-11168-00-00	COVER, BREATHER	1	
17	97607-04210-00	SCREW, WITH WASHER	4	
18	6BG-11356-00-00	.SEAL, CYLINDER 2	1	
19	97595-06520-00	BOLT, WITH WASHER	7	
20	6BG-11119-00-00	HANGER, ENGINE	1	

CONTINUED ON NEXT FRAME >



CYLINDER CRANKCASE 2

Ref No.	Part Number	Description	Qty	Remarks
21	97595-06520-00	BOLT, WITH WASHER	2	
22	6G8-15363-00-00	PLUG, OIL	1	
23	93210-24M79-00	.O-RING	1	
24	DPR-6EB90-00-00	PLUG, SPARK (NGK DPR6EB-9)	3	