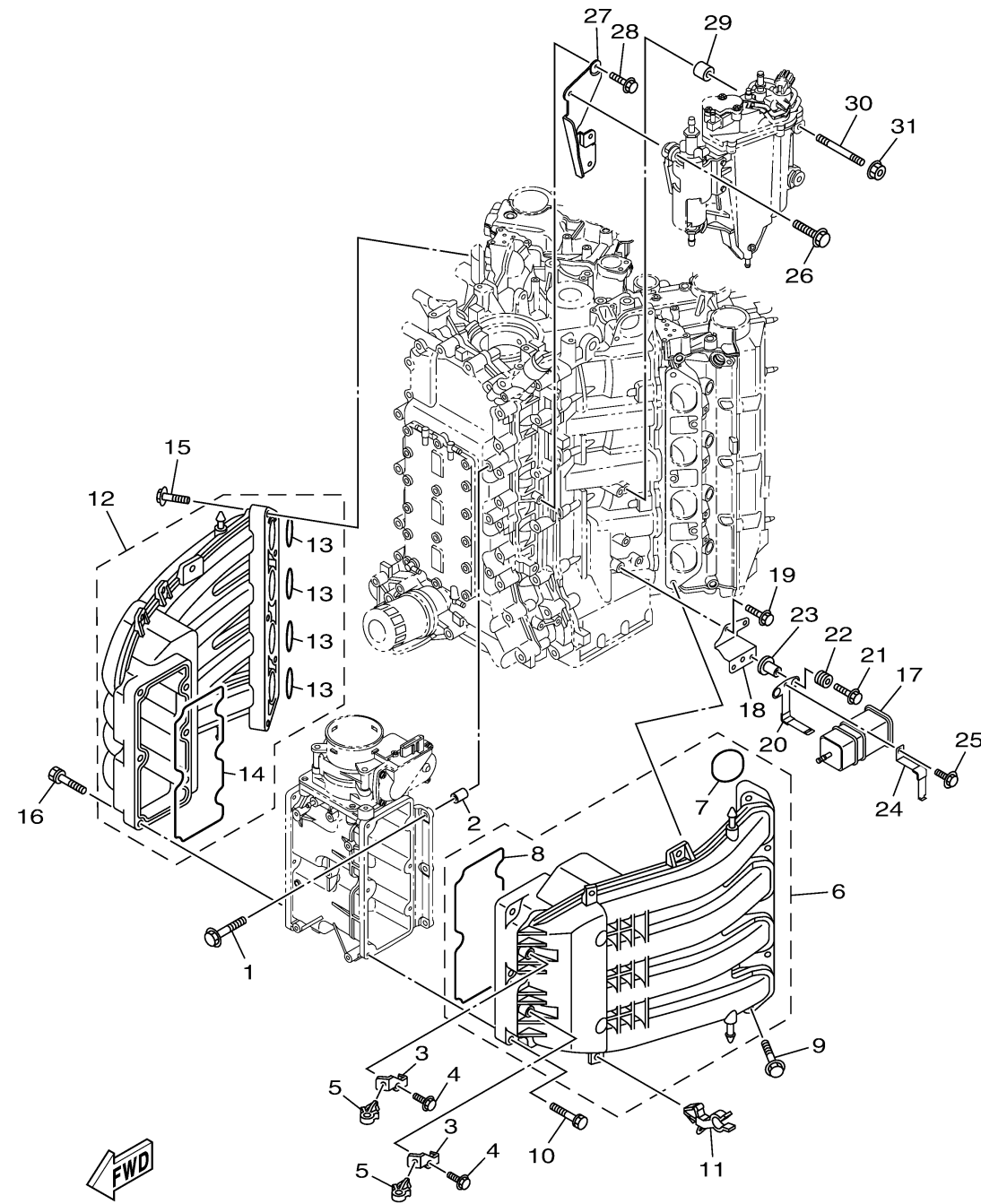


6AWB100-R090

# INTAKE 1

| Ref No. | Part Number     | Description          | Qty | Remarks |
|---------|-----------------|----------------------|-----|---------|
| 1       | 95875-08035-00  | BOLT, FLANGE         | 6   |         |
| 2       | 99530-10114-00  | PIN, DOWEL           | 2   |         |
| 3       | 6AW-13782-00-00 | STAY                 | 2   |         |
| 4       | 97595-06512-00  | BOLT, WITH WASHER    | 2   |         |
| 5       | 90464-09023-00  | CLAMP                | 2   |         |
| 6       | 6AW-13641-10-00 | MANIFOLD, INTAKE 1   | 1   |         |
| 7       | 6AW-13645-00-00 | ..GASKET, MANIFOLD 1 | 4   |         |
| 8       | 6AW-13646-00-00 | ..GASKET, MANIFOLD 2 | 1   |         |
| 9       | 90119-08022-00  | BOLT, WITH WASHER    | 5   |         |
| 10      | 90119-06MA6-00  | BOLT, WITH WASHER    | 5   |         |
| 11      | 90464-17006-00  | CLAMP                | 2   |         |
| 12      | 6AW-13641-10-00 | MANIFOLD, INTAKE 1   | 1   |         |
| 13      | 6AW-13645-00-00 | ..GASKET, MANIFOLD 1 | 4   |         |
| 14      | 6AW-13646-00-00 | ..GASKET, MANIFOLD 2 | 1   |         |
| 15      | 90119-08022-00  | BOLT, WITH WASHER    | 5   |         |
| 16      | 90119-06MA6-00  | BOLT, WITH WASHER    | 5   |         |
| 17      | 6P2-24170-00-00 | CANISTER ASSY        | 1   |         |
| 18      | 6AW-2134X-10-00 | BRACKET, CANISTER    | 1   |         |
| 19      | 95895-06016-00  | BOLT, FLANGE         | 2   |         |
| 20      | 69J-2134X-00-00 | BRACKET, CANISTER    | 1   |         |

CONTINUED ON NEXT FRAME >



6AWB100-R090

# INTAKE 1

| Ref No. | Part Number     | Description       | Qty | Remarks |
|---------|-----------------|-------------------|-----|---------|
| 21      | 90119-06M17-00  | BOLT, WITH WASHER | 2   |         |
| 22      | 90480-10M23-00  | GROMMET           | 2   |         |
| 23      | 90387-06289-00  | COLLAR            | 2   |         |
| 24      | 69J-2419A-01-00 | HOLDER            | 1   |         |
| 25      | 97595-06516-00  | BOLT, WITH WASHER | 1   |         |
| 26      | 90119-06269-00  | BOLT, WITH WASHER | 2   |         |
| 27      | 6AW-24419-00-00 | BRKT., SEPARATOR  | 1   |         |
| 28      | 95895-06016-00  | BOLT, FLANGE      | 2   |         |
| 29      | 90387-06276-00  | COLLAR            | 2   |         |
| 30      | 90116-06046-00  | BOLT, STUD        | 2   |         |
| 31      | 90179-06M28-00  | NUT               | 2   |         |