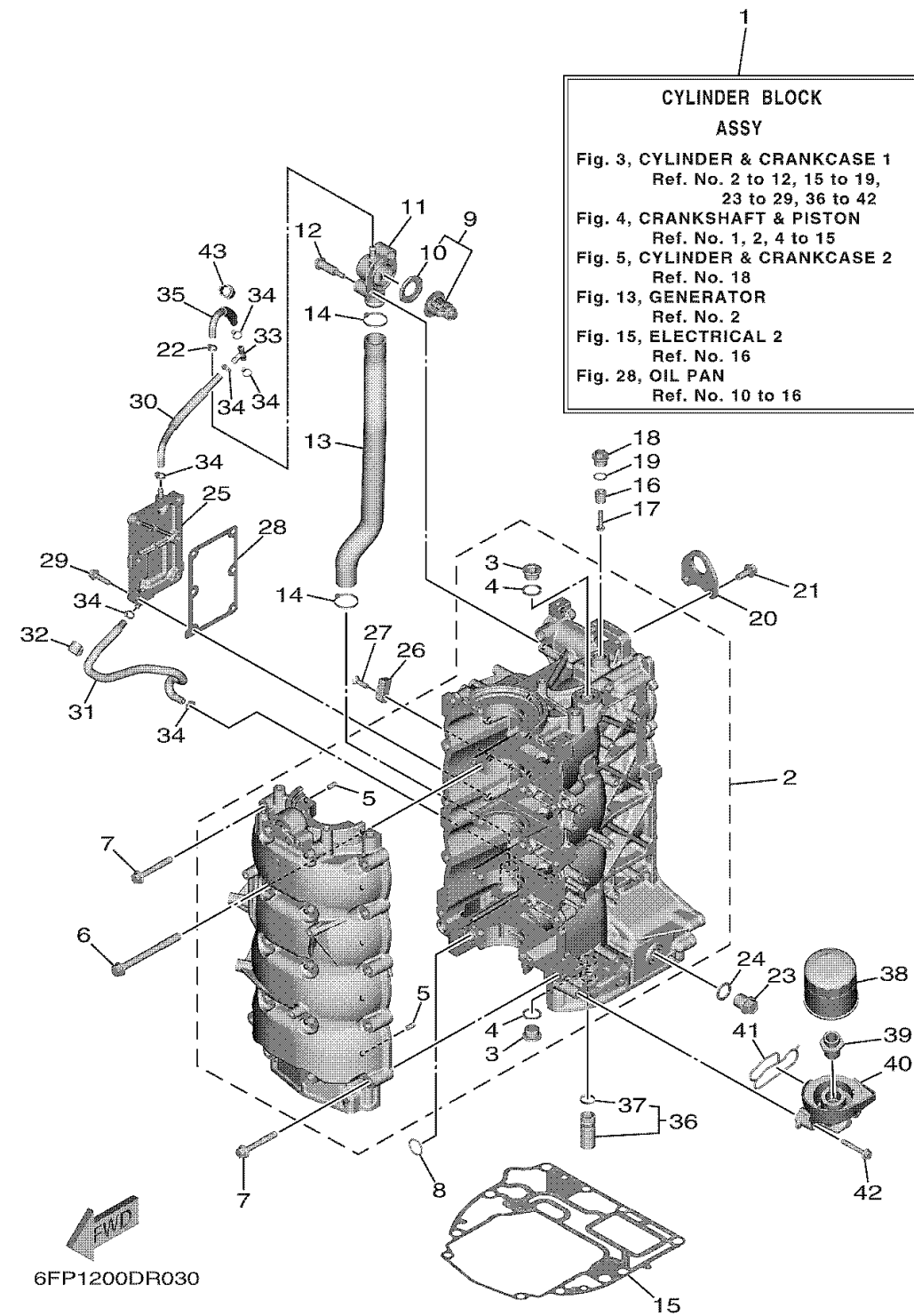


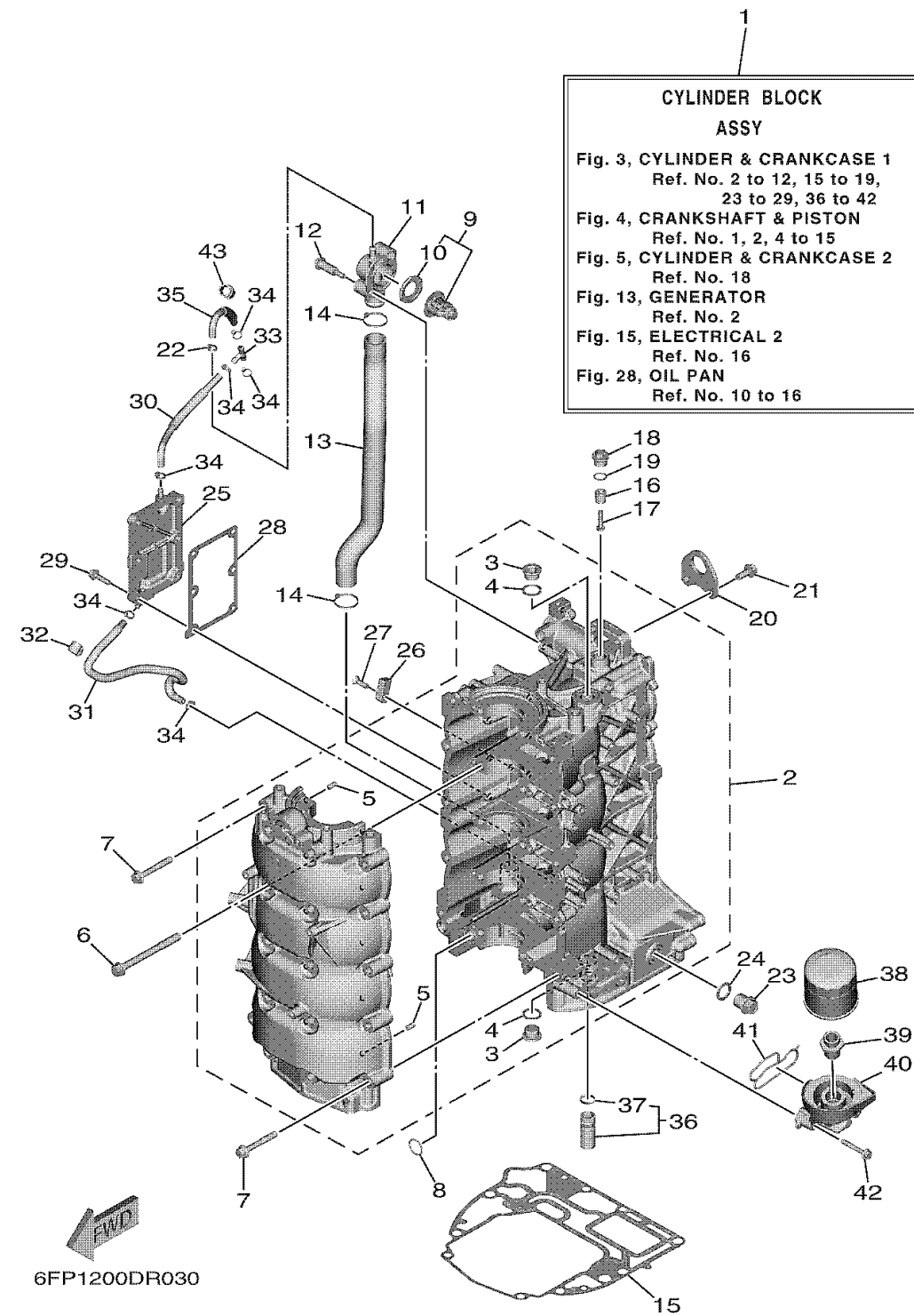
CYLINDER CRANKCASE 1



Ref No.	Part Number	Description	Qty	Remarks
1	6FP-W009B-00-9S	CYLINDER BLOCK ASSY	1	
2	6FP-15109-01-9S	CRANKCASE ASSY	1	
3	90340-18101-00	. PLUG, STRAIGHT SCREW	2	
4	90430-18236-00	. GASKET	2	
5	93606-12019-00	. PIN, DOWEL	10	
6	90119-10057-00	BOLT, WITH WASHER	10	
7	90105-08170-00	BOLT, FLANGE	10	
8	93210-19MJ1-00	.O-RING	1	
9	6FP-12411-00-00	THERMOSTAT	1	
10	6EK-12412-00-00	. SEAL, THERMOSTAT	1	
11	6EK-12413-00-00	COVER, THERMOSTAT	1	
12	90109-06286-00	BOLT	2	
13	6EK-1243A-00-00	HOSE 1	1	
14	90465-11M59-00	CLAMP	2	
15	6EK-11351-00-00	.GASKET, CYLINDER	1	
16	6G8-11325-00-00	ANODE	1	
17	98980-05025-00	SCREW, BIND	1	
18	6G8-11197-A0-00	PLUG, BLIND	1	
19	93210-13M63-00	.O-RING	1	
20	6FP-11119-00-00	HANGER, ENGINE	1	

CONTINUED ON NEXT FRAME >

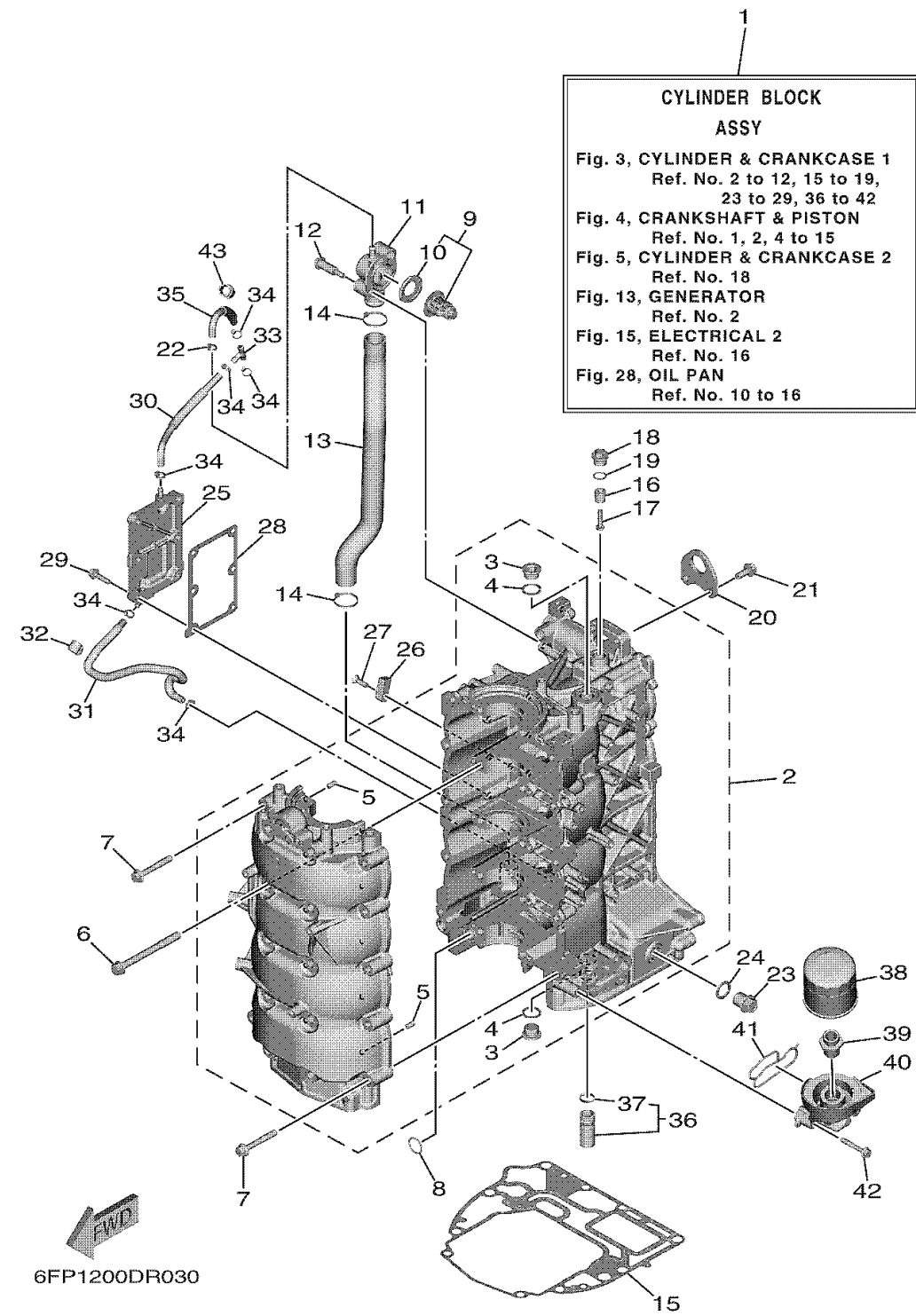
CYLINDER CRANKCASE 1



Ref No.	Part Number	Description	Qty	Remarks
21	95895-08020-00	BOLT, FLANGE	2	
22	90465-11M10-00	CLAMP	1	
23	90340-18M09-00	PLUG, STRAIGHT SCREW	1	
24	90201-186F1-00	.WASHER, PLATE	1	
25	6FP-15414-00-9S	COVER 1	1	
26	63P-11325-01-00	ANODE	1	
27	90151-06M02-00	SCREW, COUNTERSUNK	1	
28	6FP-15353-00-00	.GASKET, DRAIN	1	
29	90105-06037-00	BOLT, FLANGE	6	
30	6FP-12483-00-00	PIPE 3	1	
31	6FP-12484-00-00	PIPE 4	1	
32	90465-08M83-00	CLAMP	1	
33	688-24378-00-00	PIPE, JOINT 3	1	
34	90465-11M10-00	CLAMP	6	
35	6FP-12485-00-00	PIPE 5	1	
36	6EK-13490-00-00	RELIEF VALVE ASSY	1	
37	6CB-13473-00-00	.O-RING	1	
38	5GH-13440-70-00	ELEMENT ASSY, OIL CLEANER	1	
39	90401-20007-00	BOLT, UNION	1	
40	6FP-13446-00-00	CONNECTOR	1	

CONTINUED ON NEXT FRAME >

CYLINDER CRANKCASE 1



Ref No.	Part Number	Description	Qty	Remarks
41	6FP-13475-00-00	.GASKET	1	
42	90105-06151-00	BOLT, FLANGE	3	
43	90464-13227-00	CLAMP	1	