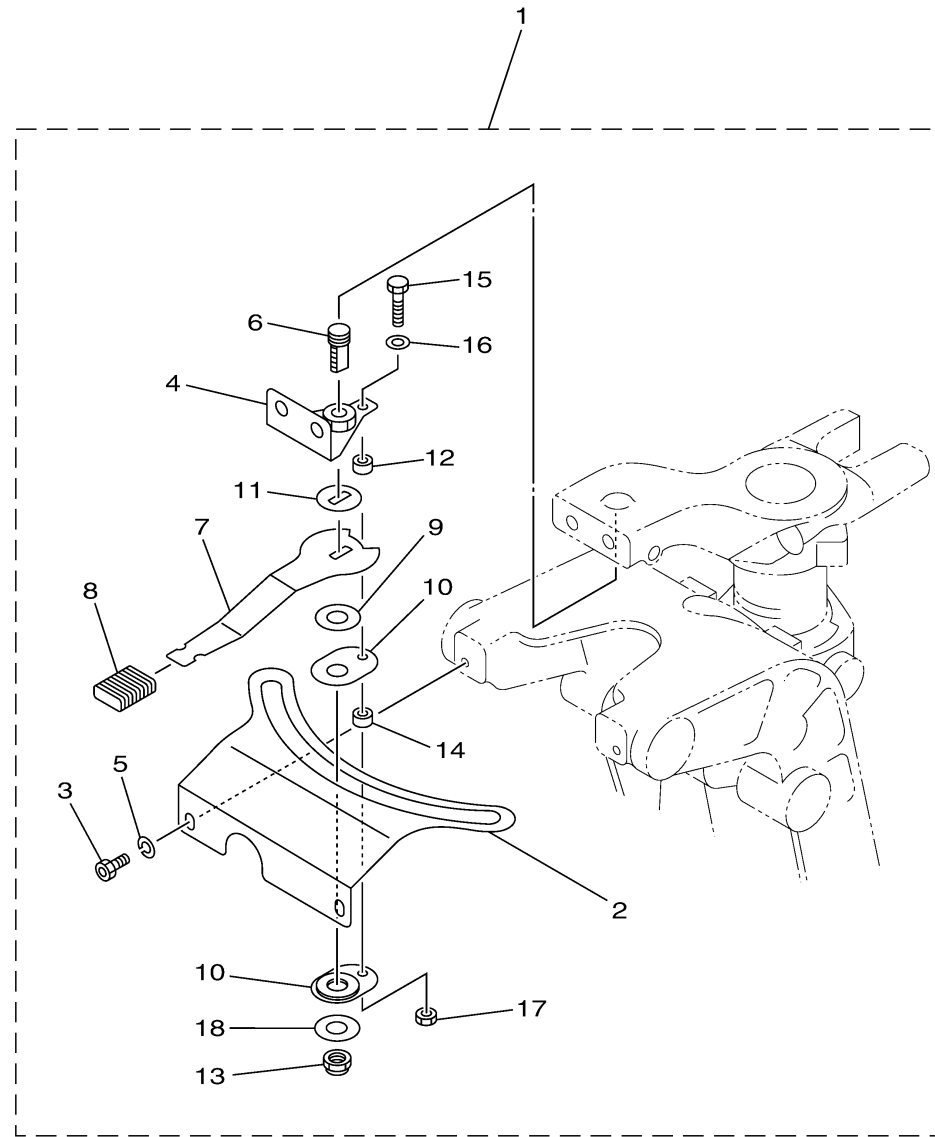


6X4 TILLER HANDLE FITTING KIT
STEERING FRICTION (F40A)



601S10S-Q120

STEERING FRICTION F40A

Ref No.	Part Number	Description	Qty	Remarks
1	67C-42508-04-00	STEERING FRICTION ASSY	1	
2	67C-42527-03-00	. .PLATE, FRICTION	1	
3	90109-06M88-00	. BOLT	2	
4	67C-42525-00-00	. .PLATE, FRICTION	1	
5	92990-06100-00	. WASHER, SPRING	2	
6	67C-42562-00-00	. SHAFT, STEERING LOCK	1	
7	67C-42561-00-00	. .KNOB, STEERING LOCK	1	
8	689-43633-00-00	. COVER, TILT LEVER	1	
9	90202-10M56-00	. WASHER, PLATE	1	
10	65W-42528-00-00	. PLATE, FRICTION	2	
11	90209-10M26-00	. WASHER	1	
12	90387-05053-00	. COLLAR	1	
13	90185-10M14-00	. NUT, SELF LOCKING	1	
14	90387-05054-00	. COLLAR	1	
15	97095-05020-00	. .BOLT	1	
16	92995-05600-00	. WASHER	1	
17	95380-05600-00	. NUT	1	
18	90201-106M5-00	. WASHER, PLATE	1	