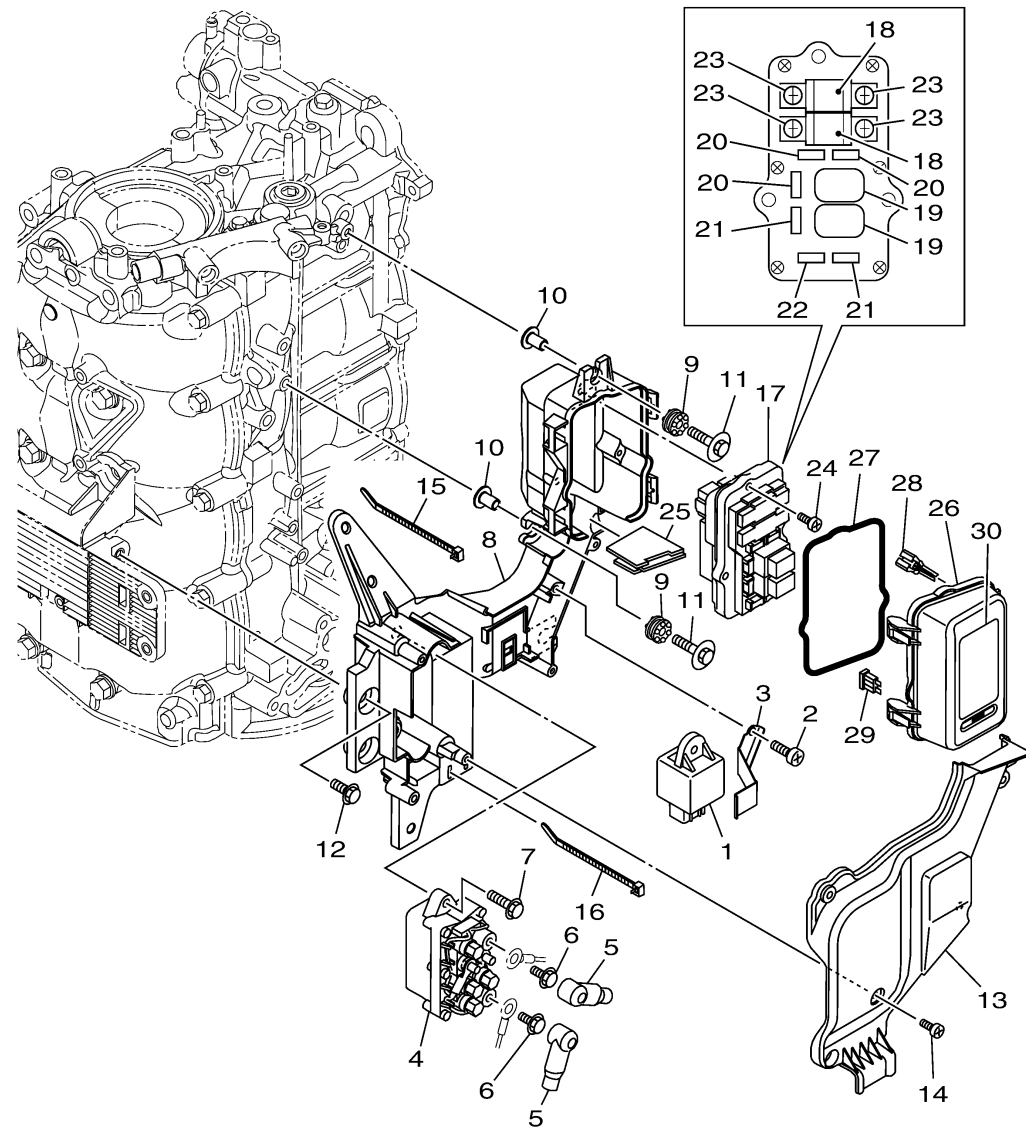


ELECTRICAL 2

Ref No.	Part Number	Description	Qty	Remarks
1	68V-81950-00-00	RELAY ASSY	1	
2	97780-60620-00	SCREW, TAPPING	1	
3	6EM-81953-00-00	STAY, RELAY	1	
4	63P-81950-00-00	RELAY ASSY	1	
5	682-82119-01-00	COVER, LEAD WIRE	2	
6	97595-06610-00	BOLT, WITH WASHER	2	
7	97595-06520-00	BOLT, WITH WASHER	2	
8	6EM-81952-10-00	HOLDER, RELAY	1	
9	64J-85516-00-00	SPACER	4	
10	69M-42758-01-00	COLLAR	4	
11	90119-06M56-00	BOLT, WITH WASHER	4	
12	95895-06016-00	BOLT, FLANGE	2	
13	6EM-81942-00-00	COVER	1	
14	90169-05M00-00	SCREW, TRUSS HEAD TAPPING	4	
15	90465-13M18-00	CLAMP	2	
16	90465-14M66-00	CLAMP	1	
17	6EM-82170-00-00	FUSE BOX ASSY	1	
18	63P-82151-00-00	..FUSE (50A)	2	
19	6AW-8195A-00-00	..RELAY ASSY	2	
20	67F-82151-00-00	..FUSE (20A)	3	

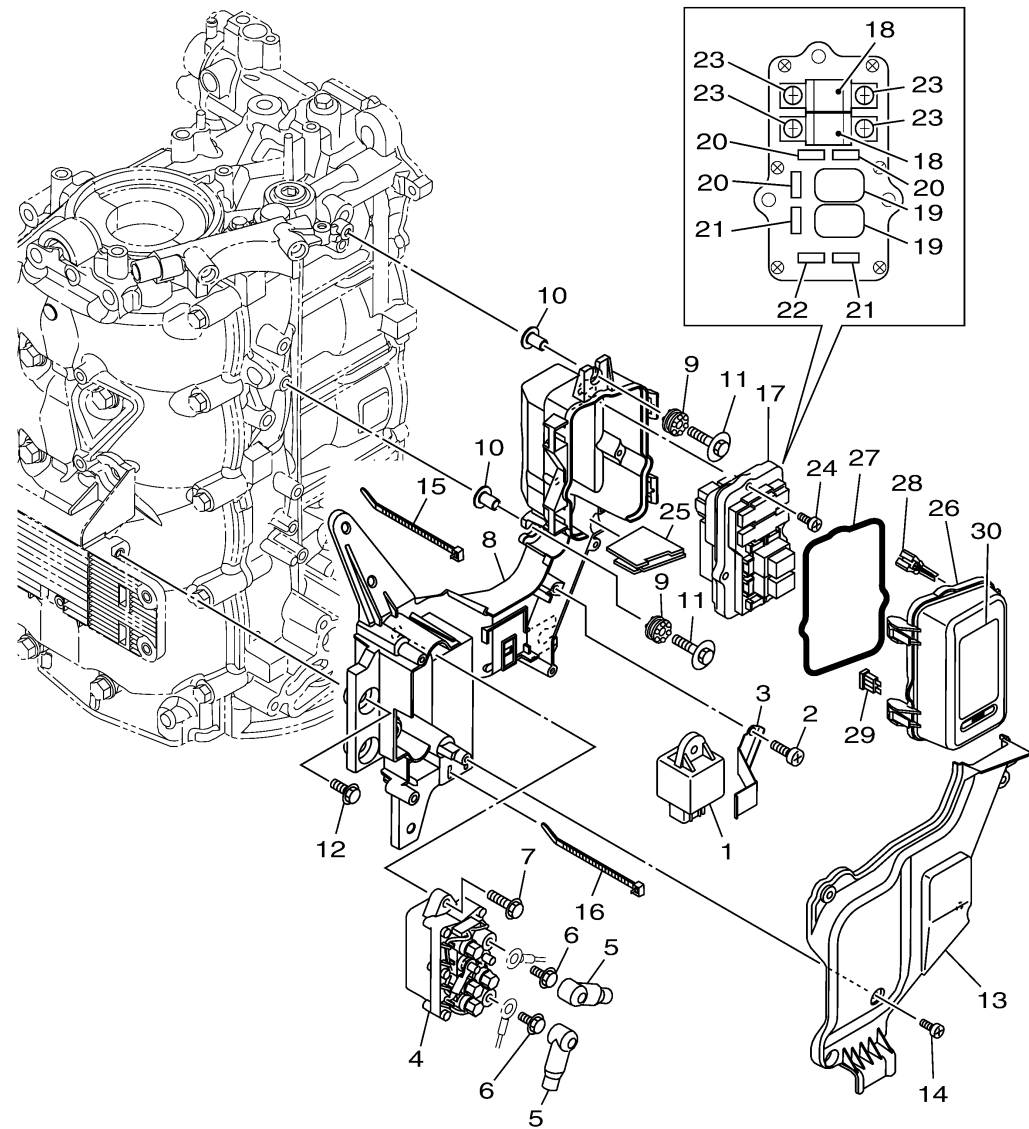
CONTINUED ON NEXT FRAME >



6FN3100-R170

ELECTRICAL 2

Ref No.	Part Number	Description	Qty	Remarks
21	67F-82151-10-00	. . FUSE (30A)	2	
22	67F-82151-40-00	. FUSE (10A)	1	
23	68F-82846-00-00	. . SCREW, PAN HEAD (M5)	4	
24	97780-50620-00	SCREW, TAPPING	3	
25	6EM-81336-00-00	GROMMET	1	
26	6EM-85544-00-00	CASE	1	
27	68F-82176-00-00	DAMPER	1	
28	67F-2812A-00-00	PULLER, FUSE	1	
29	67F-82151-40-00	FUSE (10A)	1	
30	6EM-81919-00-00	GRAPHIC, REGULATOR	1	



6FN3100-R170