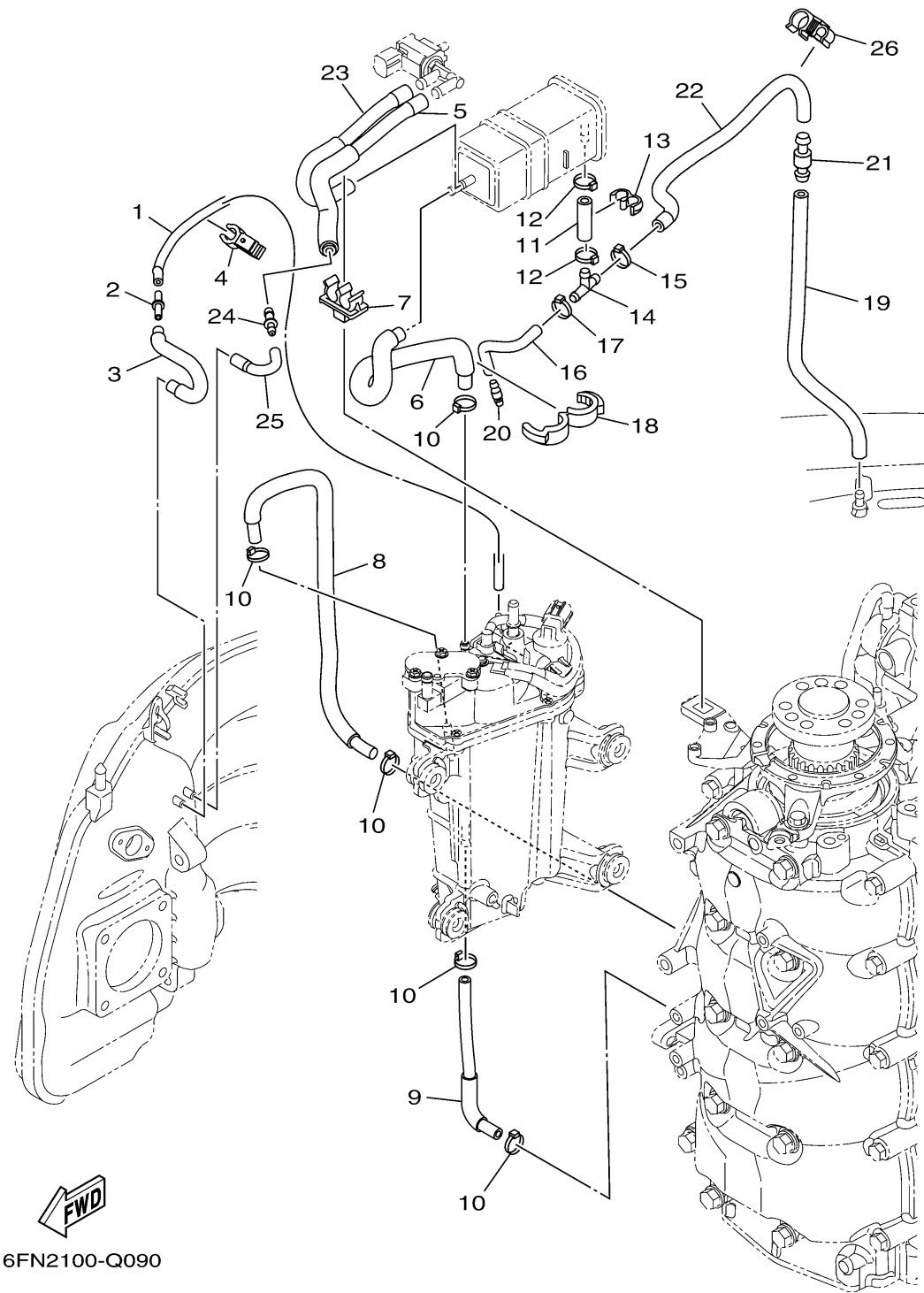


6FN2100-Q090

## INTAKE 3

Ref No.	Part Number	Description	Qty	Remarks
1	6EK-13532-00-00	HOSE, VACUUM SENSING 3	1	
2	5PS-14568-00-00	JOINT	1	
3	6EM-1475H-00-00	PIPE 5	1	
4	90464-12006-00	CLAMP	1	
5	6EM-2416A-00-00	HOSE	1	
6	6EM-1475A-00-00	PIPE 1	1	
7	90464-11012-00	CLAMP	1	
8	6EK-12576-00-00	HOSE 1	1	
9	6EK-12577-00-00	HOSE 2	1	
10	90465-11M10-00	CLAMP	5	
11	6AW-13545-10-00	HOSE 1	1	
12	90465-11M10-00	CLAMP	2	
13	90464-10M57-00	CLAMP	1	
14	688-24378-00-00	PIPE, JOINT 3	1	
15	90465-11M10-00	CLAMP	1	
16	6EK-13546-00-00	HOSE 2	1	
17	90465-11M10-00	CLAMP	1	
18	90464-16001-00	CLAMP	1	
19	6EK-13547-00-00	HOSE 3	1	
20	6E5-21744-00-00	BREATHER	1	

CONTINUED ON NEXT FRAME >



# INTAKE 3

Ref No.	Part Number	Description	Qty	Remarks
21	63D-21744-00-00	BREATHER	1	
22	6EK-13548-01-00	HOSE, AIR 4	1	
23	6EK-1475F-00-00	PIPE 3	1	
24	6EK-14989-00-00	ORIFICE, AIR VENT	1	
25	6EM-1475G-00-00	PIPE 4	1	
26	90464-12010-00	CLAMP	1	