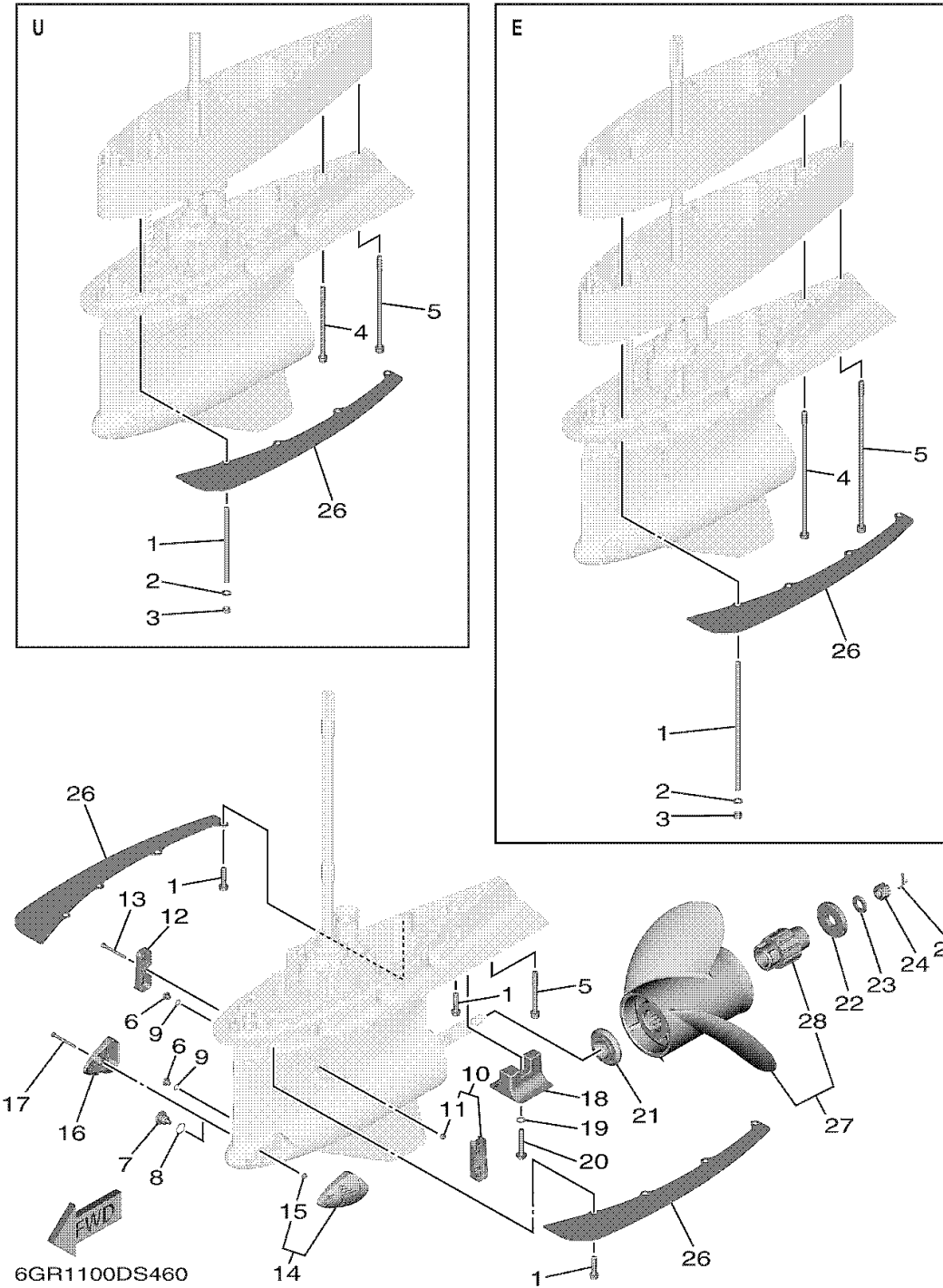


LOWER CASING DRIVE 3

REGULAR ROTATION

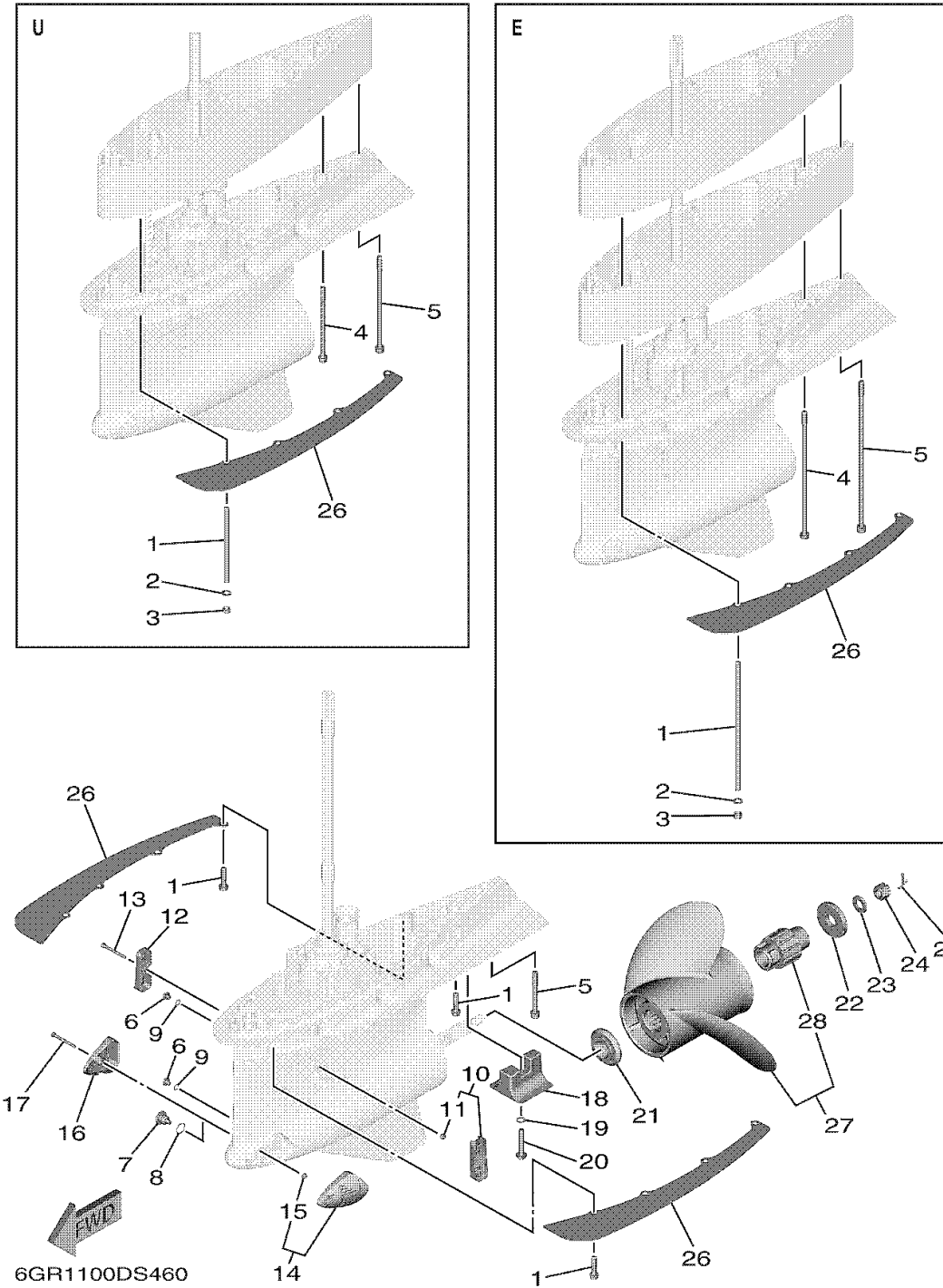


Ref No.	Part Number	Description	Qty	Remarks
1	90116-10067-00	BOLT, STUD	8	UR U(30.2")
1	90116-10066-00	BOLT, STUD	8	UR E(35.2")
1	90119-10024-00	BOLT, WITH WASHER	9	UR X(25.2")
2	92995-10600-00	WASHER	8	U(30.2"), E(35.2")
3	95380-10600-00	NUT	8	U(30.2"), E(35.2")
4	90119-10060-00	BOLT, WITH WASHER	1	UR E(35.2")
4	90119-10009-00	BOLT, WITH WASHER	1	UR U(30.2")
5	90110-10048-00	BOLT, HEXAGON SOCKET HEAD	1	UR X(25.2")
5	90110-10049-00	BOLT, HEXAGON SOCKET HEAD	1	UR U(30.2")
5	90110-10050-00	BOLT, HEXAGON SOCKET HEAD	1	UR E(35.2")
6	90340-08003-00	PLUG, STRAIGHT SCREW	2	
7	6GR-45341-00-00	PLUG, DRAIN	1	
8	93210-19123-00	O-RING	1	
9	93210-09165-00	O-RING	2	
10	6GR-45214-00-00	COVER, WATER INLET 1	1	
11	90185-06M07-00	..NUT, SELF-LOCKING	1	
12	6GR-45215-00-00	COVER, WATER INLET 2	1	
13	90110-06425-00	BOLT, HEXAGON SOCKET HEAD	1	
14	6GR-45224-00-00	COVER, WATER INLET 3	1	
15	90185-06M07-00	..NUT, SELF-LOCKING	1	

CONTINUED ON NEXT FRAME >

LOWER CASING DRIVE 3

REGULAR ROTATION

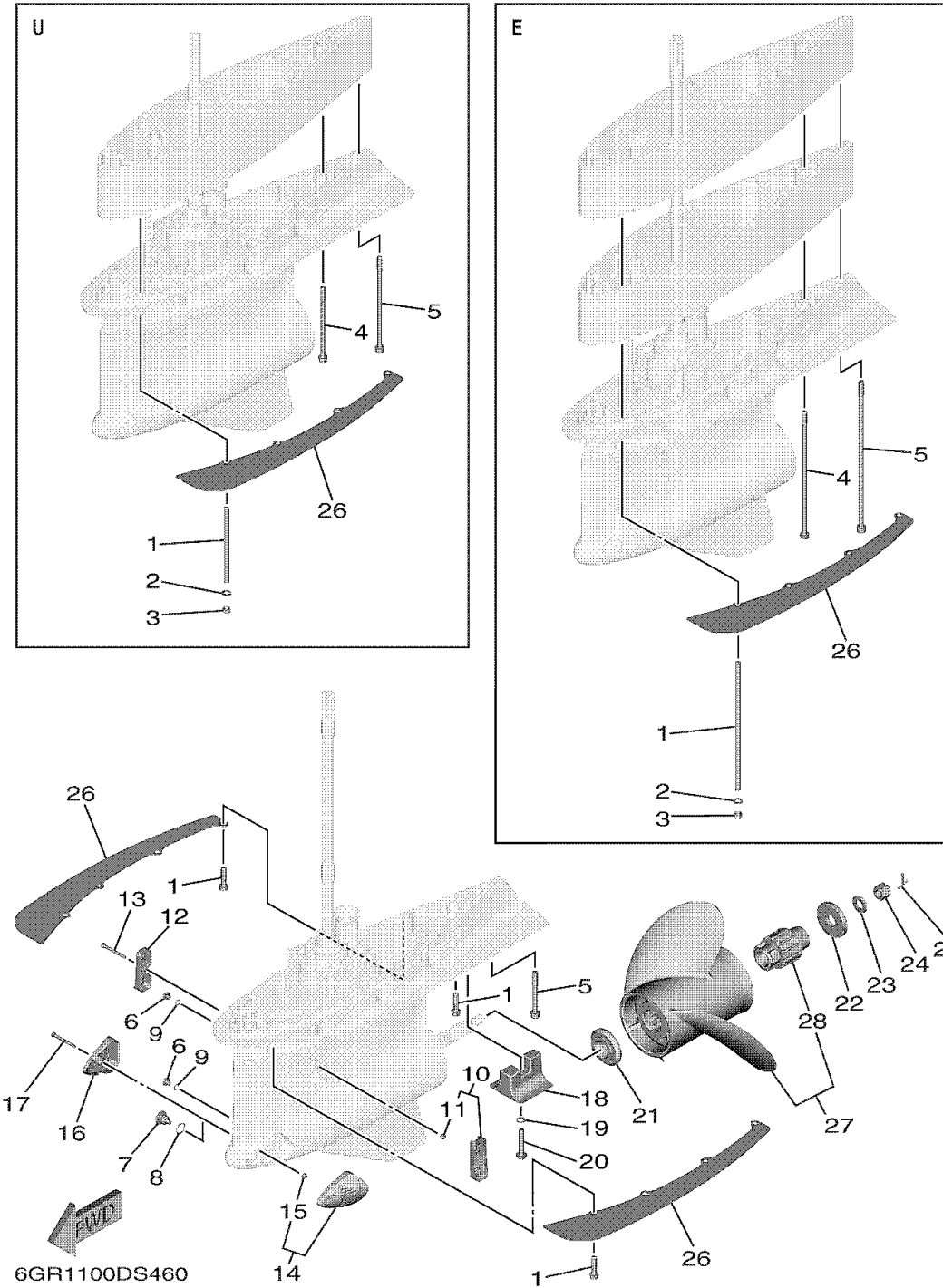


Ref No.	Part Number	Description	Qty	Remarks
16	6GR-45225-00-00	COVER, WATER INLET 4	1	
17	90110-06425-00	BOLT, HEXAGON SOCKET HEAD	1	
18	6AW-45373-00-00	ANODE	1	
19	92990-10300-00	WASHER	1	
20	90105-10257-00	BOLT, FLANGE	1	
21	6GR-45987-00-00	SPACER 1	1	
22	6GR-45997-00-00	SPACER 2	1	
23	90201-19M01-00	WASHER, PLATE	1	
24	90171-18M04-00	NUT, CASTLE	1	
25	91490-40030-00	PIN. COTTER	1	
26	6GR-45158-00-8D	PLATE, SPLASH	2	GRAY
26	6GR-45158-00-CE	PLATE, SPLASH	0	WHITE
27	6GR-45970-10-00	PROPELLER (3X17-1/8"X15"-Y)	1	UR
27	6GR-45972-10-00	PROPELLER (3X16-7/8"X17"-Y)	1	UR
27	6GR-45974-10-00	PROPELLER (3X16-5/8"X19"-Y)	1	UR
27	6GR-45976-10-00	PROPELLER (3X16-3/8"X21"-Y)	1	UR
27	6GR-45978-10-00	PROPELLER (3X16-1/8"X23"-Y)	1	UR
27	6GR-45930-10-00	PROPELLER (3X16"X25"-Y)	1	UR
27	6GR-45938-10-00	PROPELLER (3X16-5/8"X18"-Y)	1	UR
27	6GR-45936-10-00	PROPELLER (3X16-3/8"X20"-Y)	1	UR

CONTINUED ON NEXT FRAME >

LOWER CASING DRIVE 3

REGULAR ROTATION



Ref No.	Part Number	Description	Qty	Remarks
27	6GR-45934-10-00	PROPELLER (3X16-1/8"X22"-Y)	1	UR
28	6GR-45C81-10-00	..DAMPER RUBBER, PROPELLER 1	1	