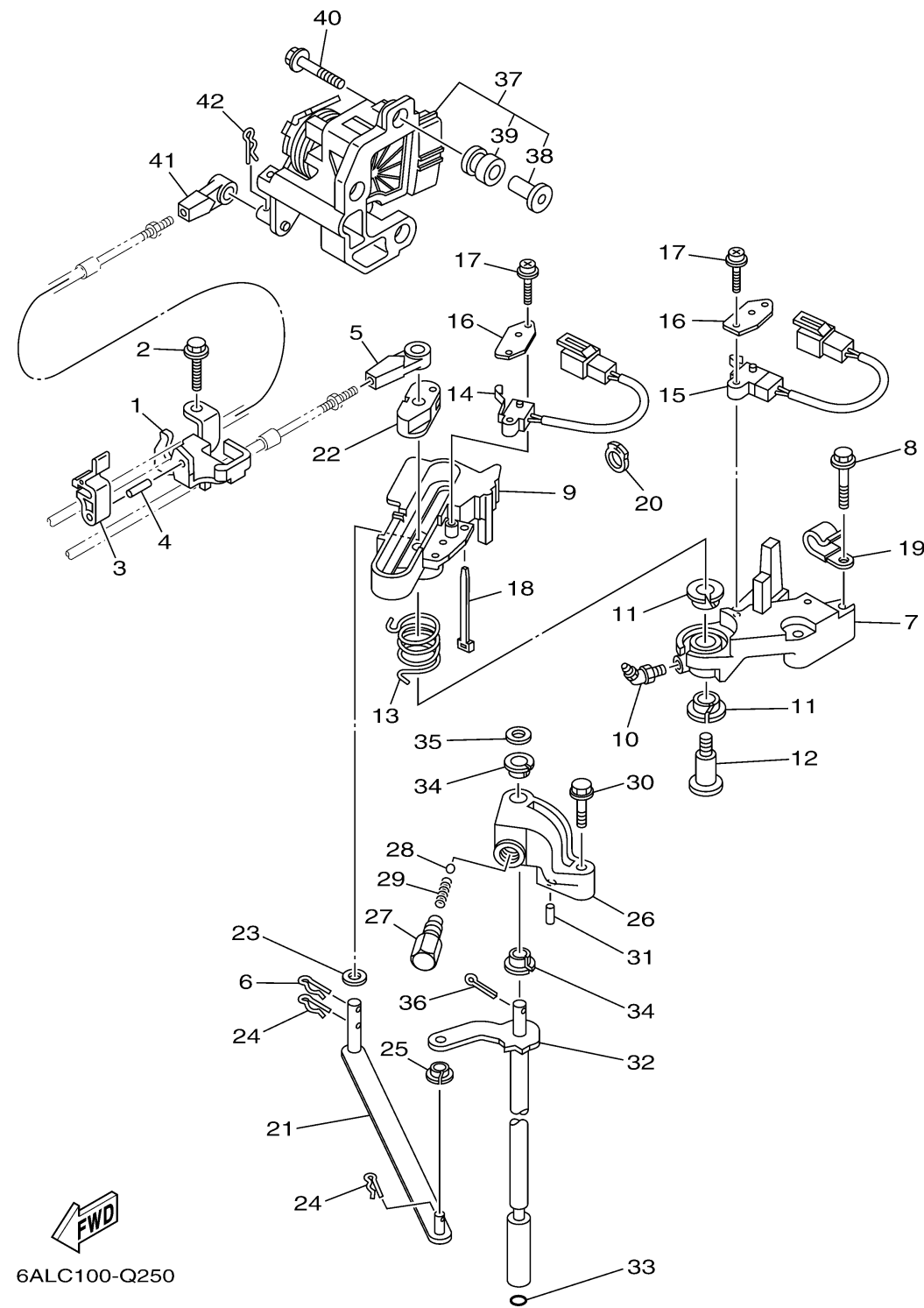


CONTROL

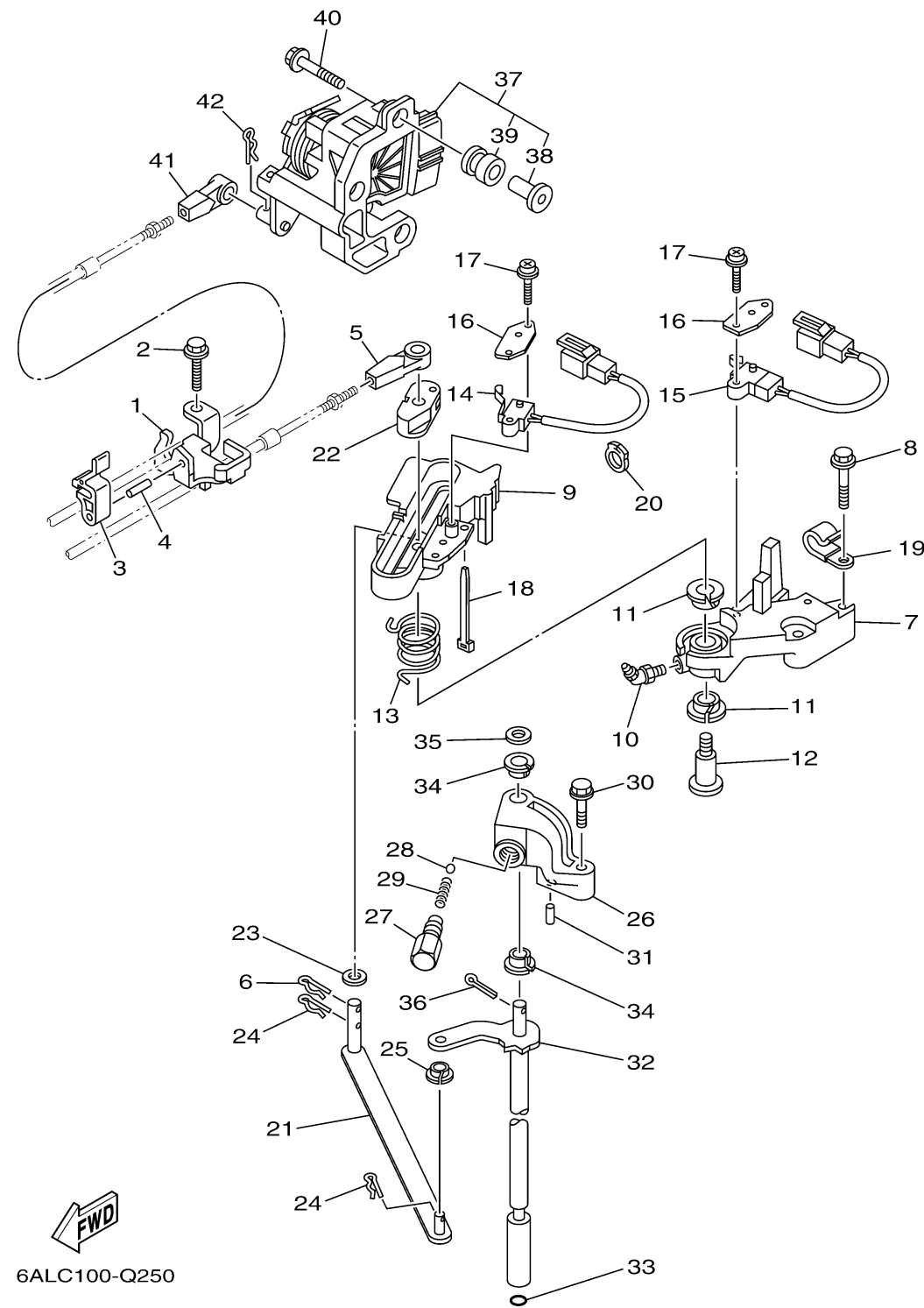


6ALC100-Q250

Ref No.	Part Number	Description	Qty	Remarks
1	6P2-48531-00-00	BRACKET, REMOTE CONTROL 1	1	
2	90109-06M86-00	BOLT	2	
3	63P-48538-00-00	CLAMP, CABLE 1	1	
4	91690-30010-00	PIN, SPRING	1	
5	6E5-48344-00-00	CABLE END, REMOTE CONTROL	1	
6	90468-18008-00	CLIP	1	
7	69J-44117-00-00	BRACKET	1	
8	97E95-06535-00	.BOLT, HEXAGON W/W DEEP RECESS	2	
9	69J-44176-01-00	BRACKET	1	
10	93700-06M01-00	NIPPLE, GREASE	1	
11	90386-12069-00	BUSH	2	
12	90109-08019-00	BOLT	1	
13	90508-20020-00	SPRING, TORSION	1	
14	60V-8259F-00-00	SWITCH ASSY	1	
15	69J-8259F-00-00	SWITCH ASSY	1	
16	61A-82588-01-00	PLATE	2	
17	97985-04116-00	SCREW, WITH WASHER	4	
18	90465-11M10-00	CLAMP	1	
19	90465-06M86-00	CLAMP	1	
20	90464-09010-00	CLAMP	1	

CONTINUED ON NEXT FRAME >

CONTROL



6ALC100-Q250

Ref No.	Part Number	Description	Qty	Remarks
21	6P2-44121-00-00	LEVER, SHIFT ROD	1	
22	69J-44122-00-00	BUSHING, SHIFT ROD LEVER	1	
23	90202-08M20-00	WASHER, PLATE	1	
24	90468-18008-00	CLIP	2	
25	90386-06M12-00	BUSH	1	
26	69J-44118-00-00	BRACKET	1	
27	648-42715-00-00	BUSHING 2	1	
28	93501-04M02-00	BALL	1	
29	90501-12082-00	SPRING, COMPRESSION	1	
30	97E75-06535-00	BOLT, HEXAGON W/W DEEP RECESS	1	
31	91690-30010-00	PIN, SPRING	1	
32	69J-44120-01-00	HANDLE GEAR SHIFT ASSY	1	X(25.3")
33	93210-09165-00	O-RING	1	
34	90386-90M90-00	BUSH	2	
35	90201-09M02-00	WASHER, PLATE	1	
36	91490-20015-00	PIN. COTTER	1	
37	6P2-8A410-01-00	SENSOR UNIT	1	
38	6P2-44139-00-00	..COLLAR	3	
39	6CB-41273-00-00	..GROMMET	3	
40	90119-06126-00	BOLT, WITH WASHER	3	

CONTINUED ON NEXT FRAME >

CONTROL

Ref No.	Part Number	Description	Qty	Remarks
41	6E5-48344-00-00	CABLE END, REMOTE CONTROL	1	
42	90468-18008-00	CLIP	1	

