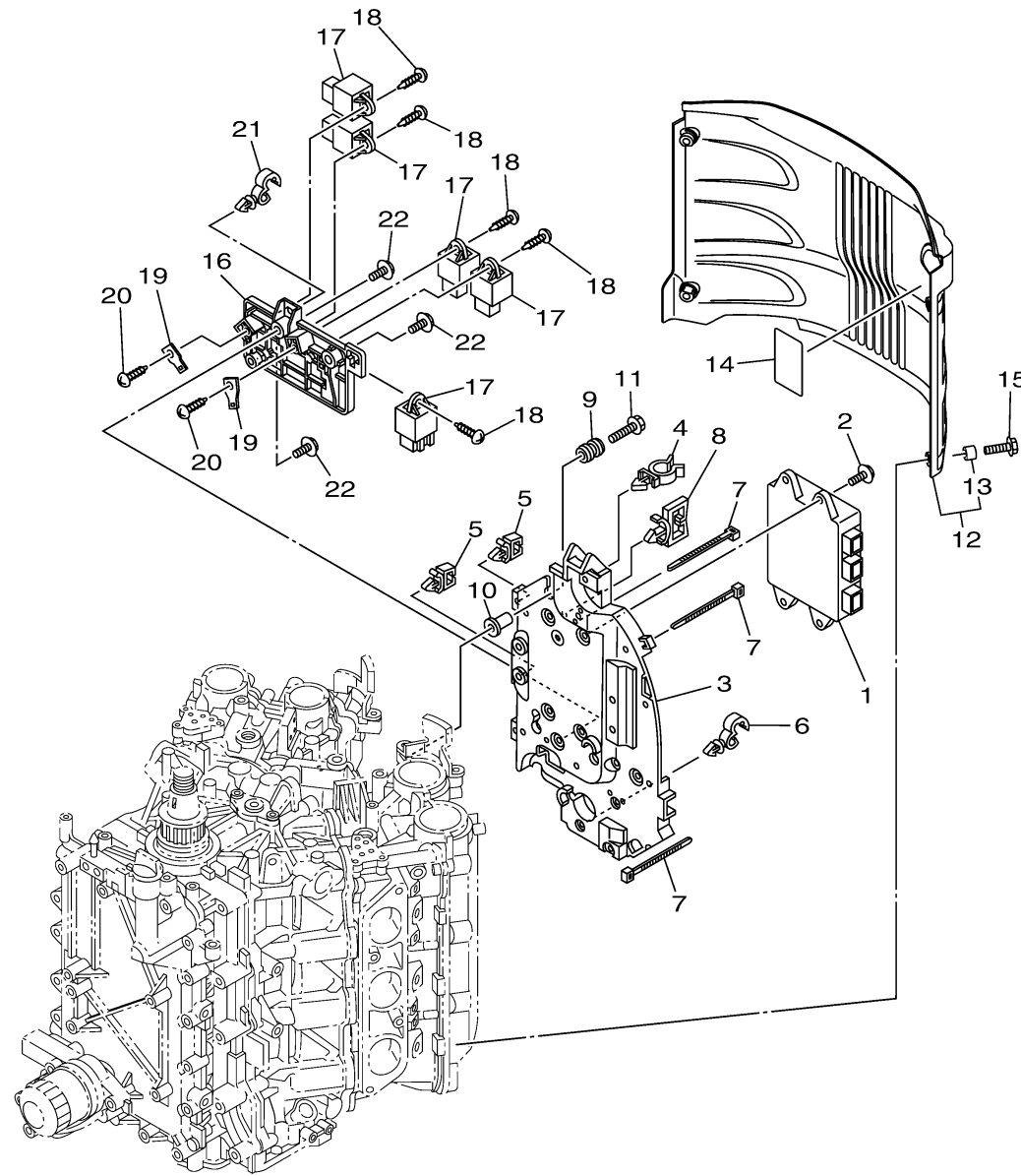


ELECTRICAL 2



Ref No.	Part Number	Description	Qty	Remarks
1	6AL-8591A-14-00	ENGINE CONTROL UNIT ASSY	1	
2	97E95-06520-00	BOLT, HEXAGON W/W DEEP RECESS	4	
3	6P2-82316-01-00	BRACKET, IGNITION COIL	1	
4	90464-19M45-00	CLAMP	1	
5	90464-11121-00	CLAMP	2	
6	90464-13249-00	CLAMP	1	
7	90465-14M66-00	CLAMP	3	
8	90464-23199-00	CLAMP	1	
9	6A0-82317-00-00	.DAMPER, IGNITION COIL	4	
10	90387-06119-00	COLLAR	4	
11	90119-06M59-00	BOLT, WITH WASHER	4	
12	6P2-82314-10-00	COVER, IGNITION COIL	1	
13	90387-06044-00	. .COLLAR	4	
14	6P2-42735-00-00	PROTECTOR	1	
15	90119-06M92-00	BOLT, WITH WASHER	4	
16	6P2-81952-00-00	HOLDER, RELAY	1	
17	68V-81950-00-00	RELAY ASSY	5	
18	97780-60620-00	SCREW, TAPPING	5	
19	6P2-83635-00-00	BRACKET	2	
20	97780-60620-00	SCREW, TAPPING	2	

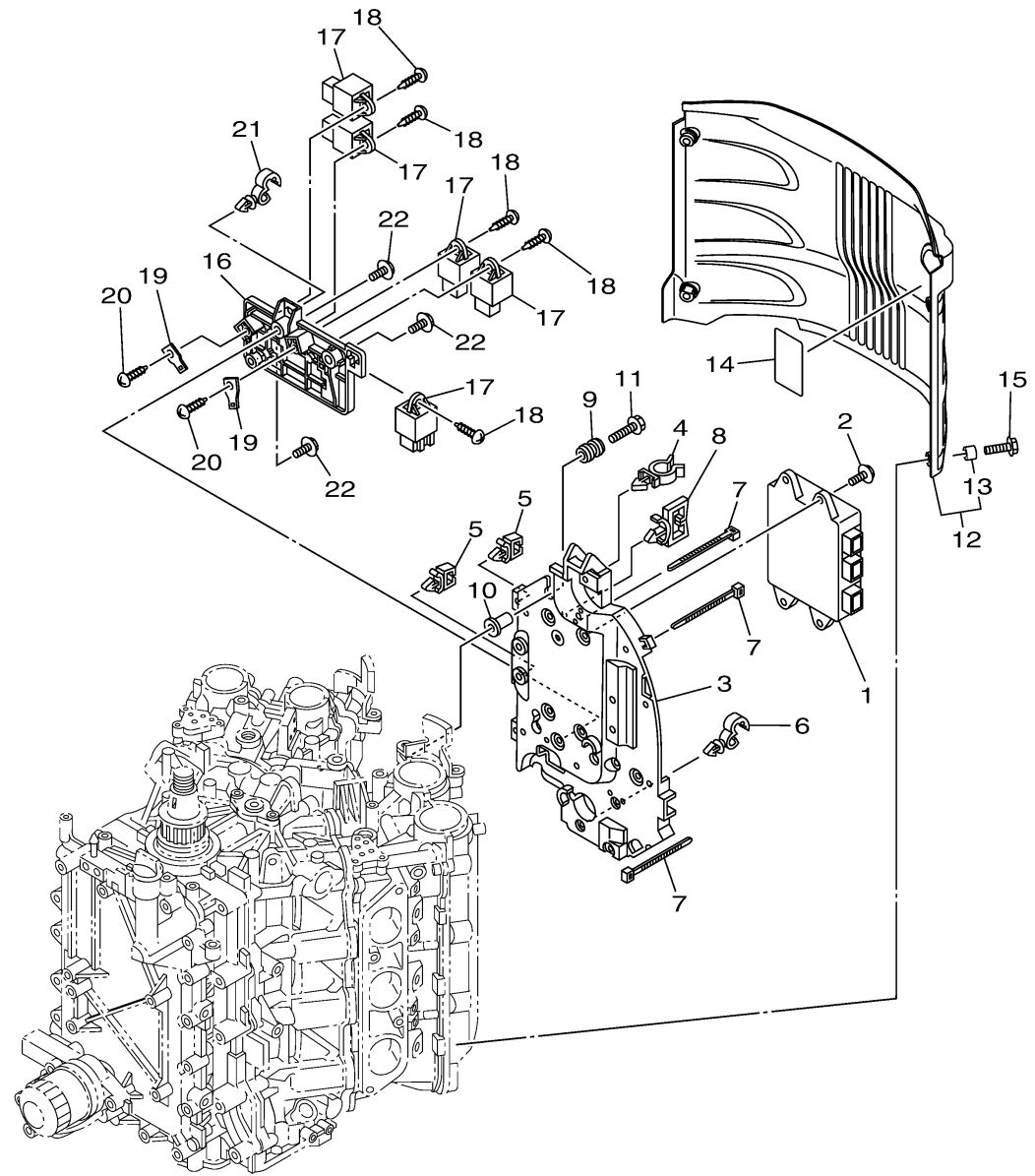
CONTINUED ON NEXT FRAME >



6ALE010-S180

ELECTRICAL 2

Ref No.	Part Number	Description	Qty	Remarks
21	90464-13249-00	CLAMP	1	
22	97E95-06520-00	BOLT, HEXAGON W/W DEEP RECESS	3	



6ALE010-S180