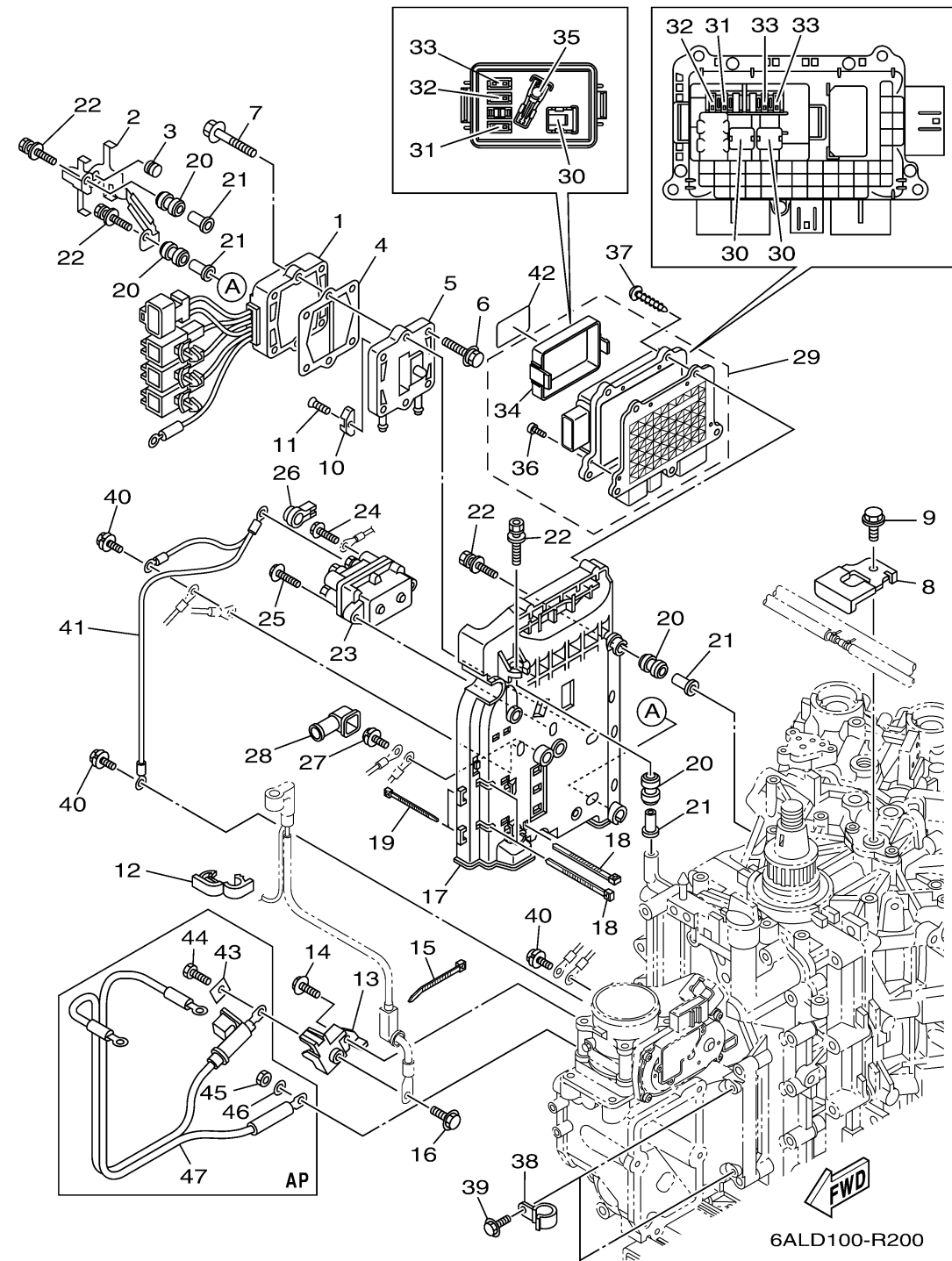


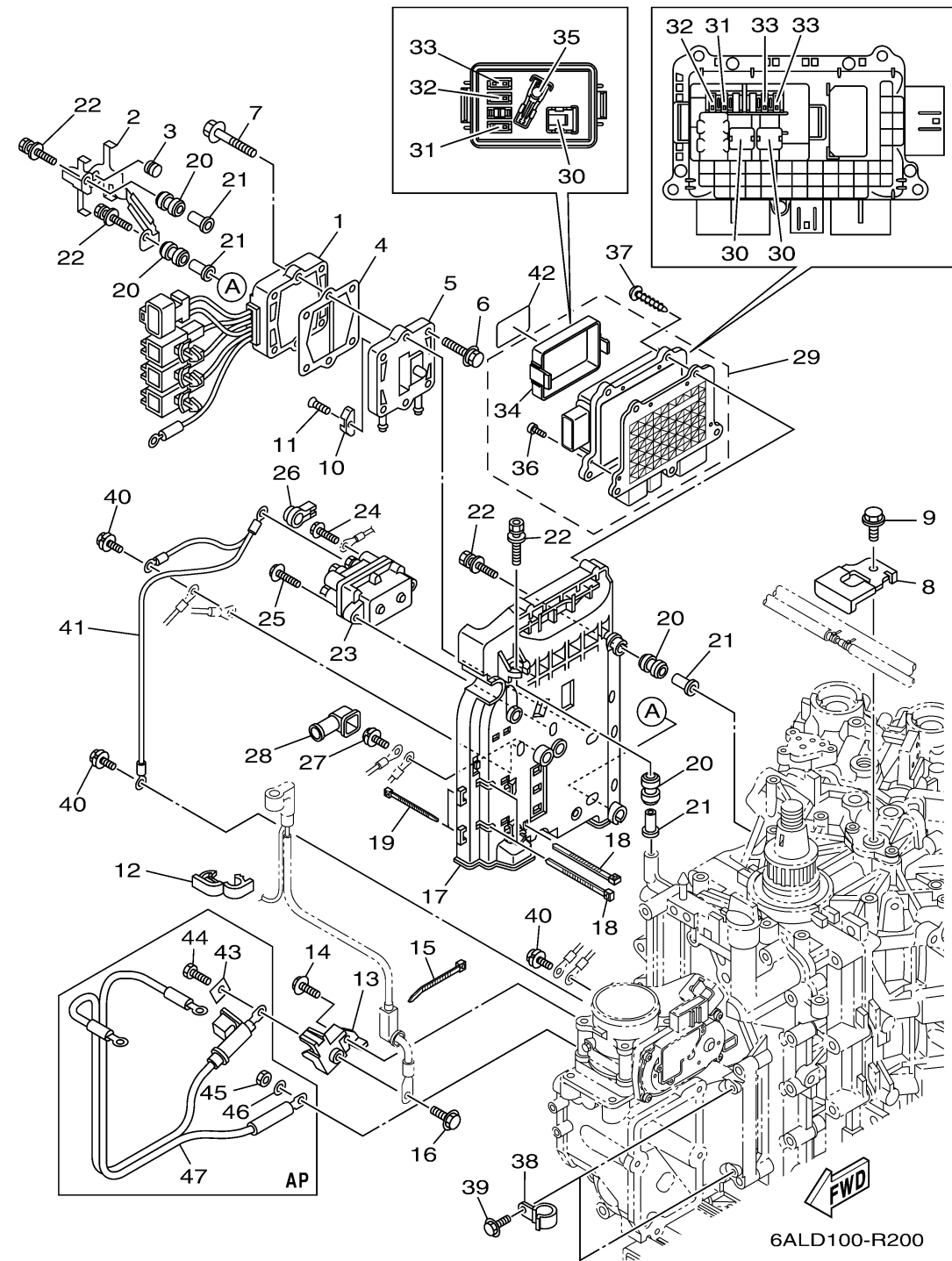
ELECTRICAL 3



Ref No.	Part Number	Description	Qty	Remarks
1	6P2-81960-11-00	RECTIFIER & REGULATOR ASSY	1	
2	6P2-81614-10-00	PROTECTOR	1	
3	2D1-14737-00-00	DAMPER, MUFFLER	1	
4	60V-81975-A0-00	PLATE, RECTIFIER FITTING	1	
5	6P2-81972-00-9S	COVER, RECTIFIER	1	
6	90119-06MA3-00	BOLT, WITH WASHER	4	
7	90119-06MA5-00	BOLT, WITH WASHER	2	
8	6P2-12491-00-00	CLAMP 1	1	
9	97E95-06512-00	BOLT, HEXAGON W/W DEEP RECESS	1	
10	6E5-11325-00-00	ANODE	1	
11	98780-04015-00	SCREW, FLAT HEAD	1	
12	90464-18004-00	CLAMP	5	
13	6P2-81925-01-00	TERMINAL	1	
14	97E95-08520-00	BOLT, HEXAGON W/W DEEP RECESS	1	
15	90465-13M18-00	CLAMP	1	
16	97E95-08516-00	BOLT, HEXAGON W/W DEEP RECESS	1	
17	6P2-81948-10-00	BRACKET	1	
18	90465-13M18-00	CLAMP	4	
19	90465-14M66-00	CLAMP	2	
20	6A0-82317-00-00	.DAMPER, IGNITION COIL	6	

CONTINUED ON NEXT FRAME >

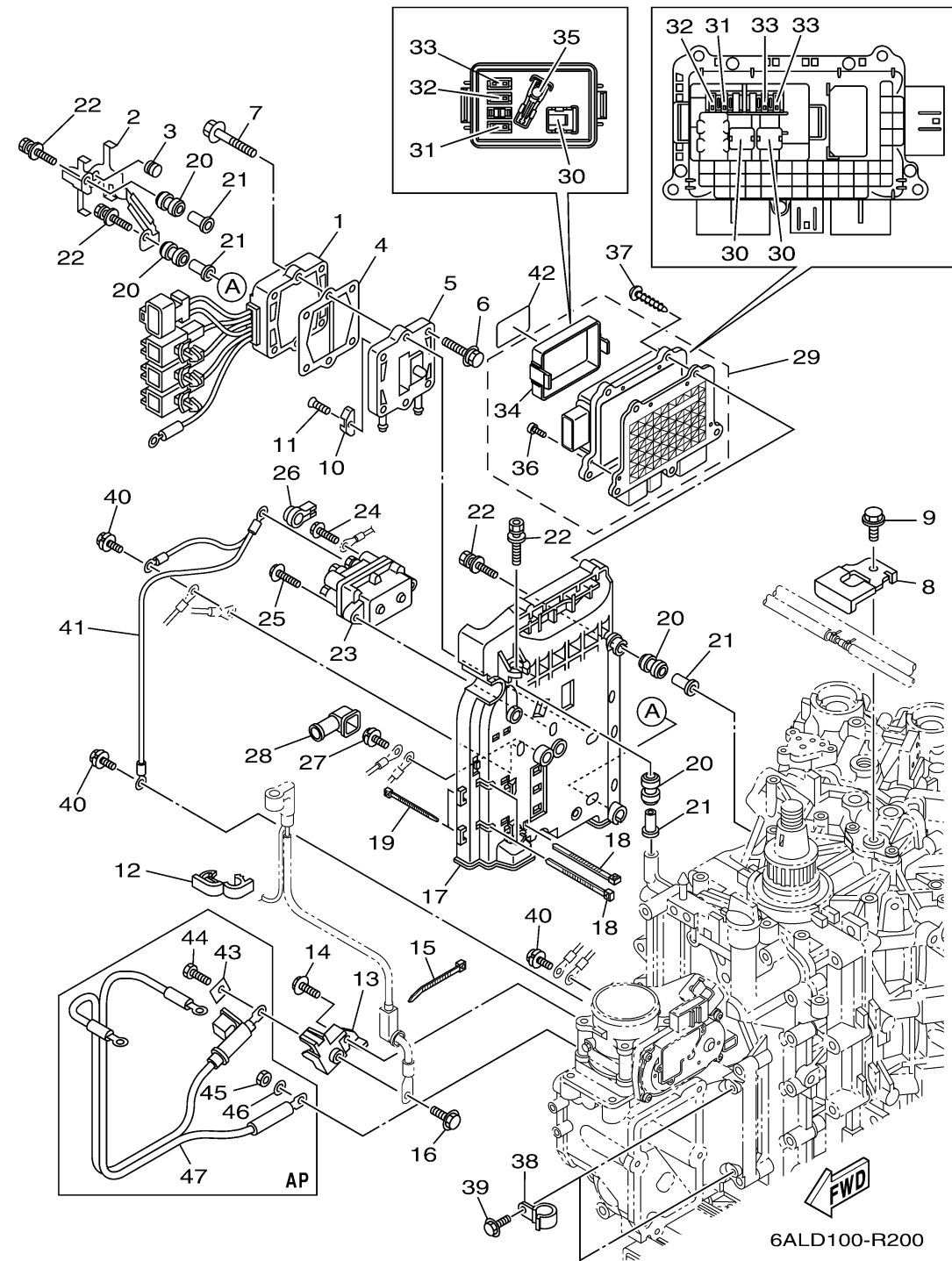
ELECTRICAL 3



Ref No.	Part Number	Description	Qty	Remarks
21	90387-06119-00	COLLAR	6	
22	90119-06M95-00	BOLT, WITH WASHER	6	
23	63P-81950-00-00	RELAY ASSY	1	
24	97E95-06610-00	BOLT, HEXAGON W/W DEEP RECESS	2	
25	97513-06525-00	BOLT, WITH WASHER	2	
26	6P2-8183X-00-00	CAP, TERMINAL	2	
27	97E95-06616-00	BOLT, HEXAGON W/W DEEP RECESS	1	
28	6P2-82119-00-00	COVER, LEAD WIRE	1	
29	6P2-82170-20-00	FUSE BOX ASSY	1	
30	6CB-82151-40-00	. . FUSE (60A)	3	
31	6CB-82151-00-00	. . FUSE (10A)	2	
32	6CB-82151-20-00	. . FUSE (20A)	2	
33	6CB-82151-30-00	. . FUSE (30A)	3	
34	6CB-85544-10-00	. . COVER	1	
35	6CB-2812A-00-00	. . PULLER, FUSE	1	
36	6P2-82113-00-00	. . SCREW (M3)	5	
37	97780-50620-00	SCREW, TAPPING	4	
38	90462-08026-00	CLAMP	2	
39	97E95-06516-00	BOLT, HEXAGON W/W DEEP RECESS	2	
40	97E95-06616-00	BOLT, HEXAGON W/W DEEP RECESS	3	

CONTINUED ON NEXT FRAME >

ELECTRICAL 3



Ref No.	Part Number	Description	Qty	Remarks
41	6P2-8259M-10-00	WIRE HARNESS ASSY 2	1	
42	6P2-81919-50-00	GRAPHIC, REGULATOR	1	
43	6P2-81923-00-00	.WASHER	1	AP
44	97D95-08016-00	.BOLT, HEXAGON DEEP RECESS	1	AP
45	95333-08600-00	NUT	1	AP
46	92903-08100-00	WASHER, SPRING	1	AP
47	6P2-82105-02-00	BATTERY CABLE	1	AP